

Алматы (7273)495-231
Ангарск (3955)60-70-56
Архангельск (8182)63-90-72
Астрахань (8512)99-46-04
Барнаул (3852)73-04-60
Белгород (4722)40-23-64
Благовещенск (4162)22-76-07
Брянск (4832)59-03-52
Владивосток (423)249-28-31
Владикавказ (8672)28-90-48
Владимир (4922) 49-43-18
Волгоград (844)278-03-48
Вологда (8172)26-41-59
Воронеж (473)204-51-73
Екатеринбург (343)384-55-89

Ижевск (3412)26-03-58
Иваново (4932)77-34-06
Иркутск (395)279-98-46
Казань (843)206-01-48
Калининград (4012)72-03-81
Калуга (4842)92-23-67
Кемерово (3842)65-04-62
Киров (8332)68-02-04
Коломна (4966)23-41-49
Кострома (4942)77-07-48
Краснодар (861)203-40-90
Красноярск (391)204-63-61
Курск (4712)77-13-04
Курган (3522)50-90-47
Липецк (4742)52-20-81

Магнитогорск (3519)55-03-13
Москва (495)268-04-70
Мурманск (8152)59-64-93
Набережные Челны (8552)20-53-41
Нижний Новгород (831)429-08-12
Новокузнецк (3843)20-46-81
Ноябрьск (3496)41-32-12
Новосибирск (383)227-86-73
Ноябрьск (3496)41-32-12
Омск (3812)21-46-40
Орел (4862)44-53-42
Оренбург (3532)37-68-04
Пенза (8412)22-31-16
Петрозаводск (8142)55-98-37
Псков (8112)59-10-37

Пермь (342)205-81-47
Ростов-на-Дону (863)308-18-15
Рязань (4912)46-61-64
Самара (846)206-03-16
Саранск (8342)22-96-24
Санкт-Петербург (812)309-46-40
Саратов (845)249-38-78
Севастополь (8692)22-31-93
Симферополь (3652)67-13-56
Смоленск (4812)29-41-54
Сочи (862)225-72-31
Ставрополь (8652)20-65-13
Сыктывкар (8212)25-95-17
Сургут (3462)77-98-35
Тамбов (4752)50-40-97

Тверь (4822)63-31-35
Тольяти (8482)63-91-07
Томск (3822)98-41-53
Тула (4872)33-79-87
Тюмень (3452)66-21-18
Улан-Удэ (3012)59-97-51
Ульяновск (8422)24-23-59
Уфа (347)229-48-12
Хабаровск (4212)92-98-04
Чебоксары (8352)28-53-07
Челябинск (351)202-03-61
Череповец (8202)49-02-64
Чита (3022)38-34-83
Якутск (4112)23-90-97
Ярославль (4852)69-52-93

Киргизия (996)312-96-26-47

Россия (495)268-04-70

Казахстан (772)734-952-31

<https://locust.nt-rt.ru> || osc@nt-rt.ru

Запасные части L1004

Объединяя многолетний опыт военно-гражданского промышленного производства, конструктивные идеи клиентов, высококачественные узлы и компоненты, LOCUST обеспечивает отличную комбинацию качества и цены, что делает минипогрузчики LOCUST одними из самых привлекательных в своём классе в России.

Универсальные машины LOCUST объективно имеют:

- высокую эффективность в работе;
- простое управление, комфорт;
- самые низкие эксплуатационные расходы;
- наилучшую обзорность из кабины;
- компактность и манёвренность;
- проверенные временем бортовые шестерёнчатые редуктора привода хода.

Уже долгие годы LOCUST – это невероятно долговечная, неприхотливая и максимально любимая машина у российских покупателей..



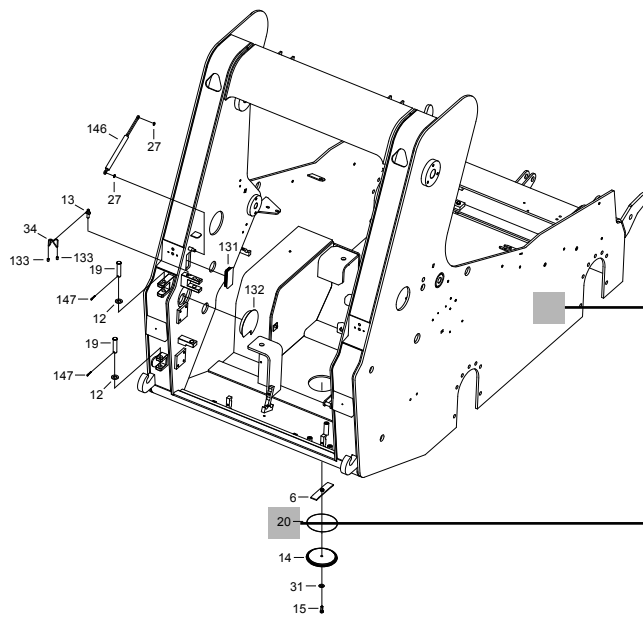
LOCUST 1004

PERKINS 904J-E28T

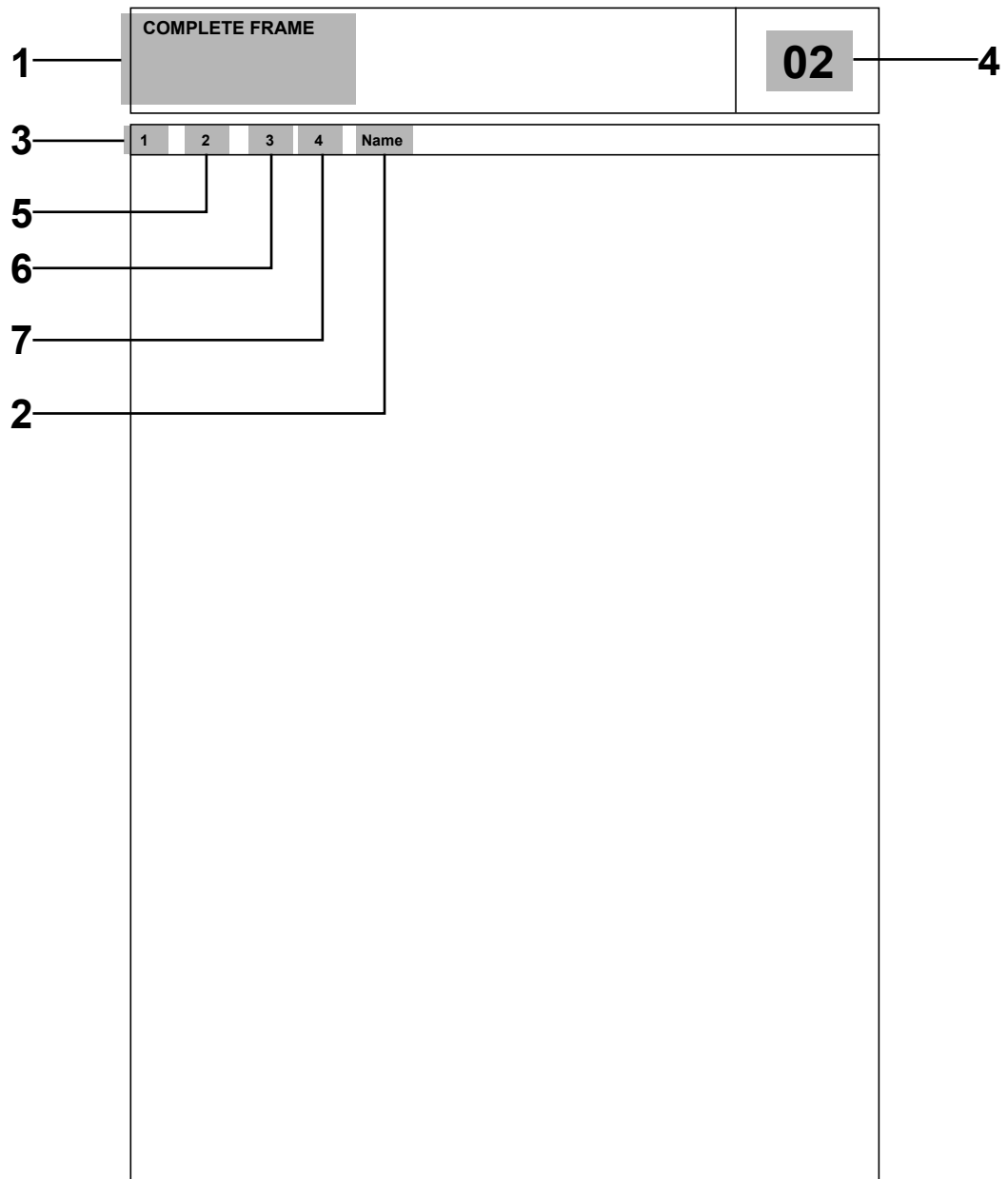
SPARE PARTS CATALOGUE

Obsah

FRAME ASSEMBLY 1	11
FRAME ASSEMBLY 2	13
WELDED FRAME	15
ENGINE WITH EQUIPMENT	17
COOLING SYSTEM	19
COOLER ASSEMBLY	19
COOLER ASSEMBLY	21
AIR SYSTEM	23
EXHAUST SYSTEM	25
TRANSMISSION	27
FUEL SYSTEM	29
HYDRAULICS OF DISTRIBUTOR	31
BOOM LOWERING	33
HYDRAULICS OF PUMPS	35
1-SPEED HYDROMOTOR ASSEMBLY	37
2-SPEED HYDROMOTOR ASSEMBLY	39
HYDRAULICS OF 1-SPEED DRIVING	41
HYDRAULICS OF 2-SPEED DRIVING	43
HYDRAULICS OF BOOM	45
CYLINDERS AND PINS OF BOOM	47
AUXILIARY HYDRAULICS	49
FLOATING AND DAMPING	51
ADDITIONAL COOLING	53
HYDRAULICS OF SPEED CLAMPING DEVICE	55
FLOATING OF BOOM	57
TWO HANDED CONTROL IN CABIN	59
CONTROL OF SX12 DISTRIBUTOR	61
1-SPEED CONTROL OF PUMPS	63
2-SPEED CONTROL OF PUMPS	65
FUEL INJECTION PUMP CONTROL	67
1-SPEED ONE HANDED CONTROL OF PUMPS	69
ONE HANDED CONTROL IN CABIN	71
ONE HANDED CONTROL OF SX12 DISTRIBUTOR	73
2-SPEED ONE HANDED CONTROL OF PUMPS	75
AUXILIARY ATTACHMENT PRESSURE RELIEF	77
AUXILIARY ATTACHMENT PRESSURE RELIEF 2	79
BOOM ASSEMBLY	81
SPEED CLAMPING DEVICE	83
HYDRAULIC SPEED CLAMPING DEVICE	85
SIDE BOX ASSEMBLY	87
LEFT DOOR ASSEMBLY	89
REAR DOOR ASSEMBLY	91
FLIP-OUT COVER ASSEMBLY	93
FLIP-OUT COVER WITH VENTILATOR ASSEMBLY	95
LEFT DOOR 2 ASSEMBLY	97
RIGHT DOOR ASSEMBLY	99
MUDGUARDS ASSEMBLY	101
LEFT LIGHTS HOLDER ASSEMBLY	103
RIGHT LIGHTS HOLDER ASSEMBLY	105
ELECTRICAL EQUIPMENT – FRAME	107
ELECTRICAL EQUIPMENT – FRAME	109
ELECTRICAL EQUIPMENT – CABIN	111
INSTRUMENT BOARD	113
REVERSING CAMERA	115
ADDITIONAL WORKING LIGHTS	117
REVERSING CAMERA WITH 5 INCH DISPLAY	119
BUCKET	121
HEATING ASSEMBLY	123
AIR DISTRIBUTION	125
HEATING INTAKE	127
AIR CONDITION ACCESSORIES	129
AIR CONDITION ASSEMBLY	131
BASIC EQUIPMENT	133
ADDITIONAL COUNTERWEIGHT	135
WHEELS	137
CABIN ASSEMBLY	139
DOOR ASSEMBLY	141
STANDARD WINDOWS ASSEMBLY	143
PNEUMATIC SEAT	145
STANDARD SEAT ASSEMBLY	147
STANDARD PLASTIC	149
PLASTIC WITHOUT AUDIO	151
AUDIO SYSTEM	153
GREEN WINDOWS ASSEMBLY	155
DOOR ASSEMBLY	157
FOPS ASSEMBLY	159

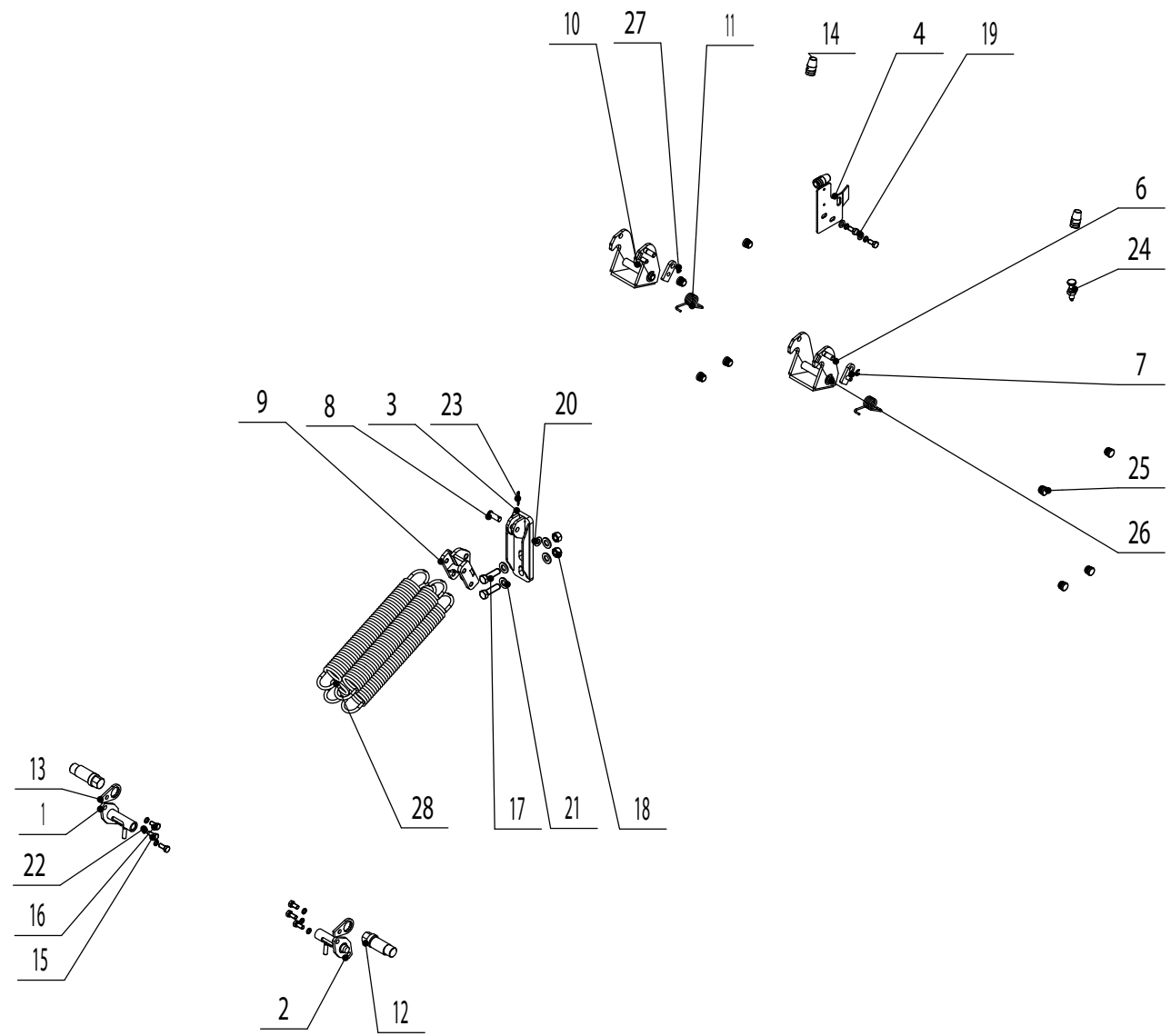
1**COMPLETE FRAME****02****4****2****3**

- 1 ► Name of group
- 2 ► Part
- 3 ► Item
- 4 ► Number of group

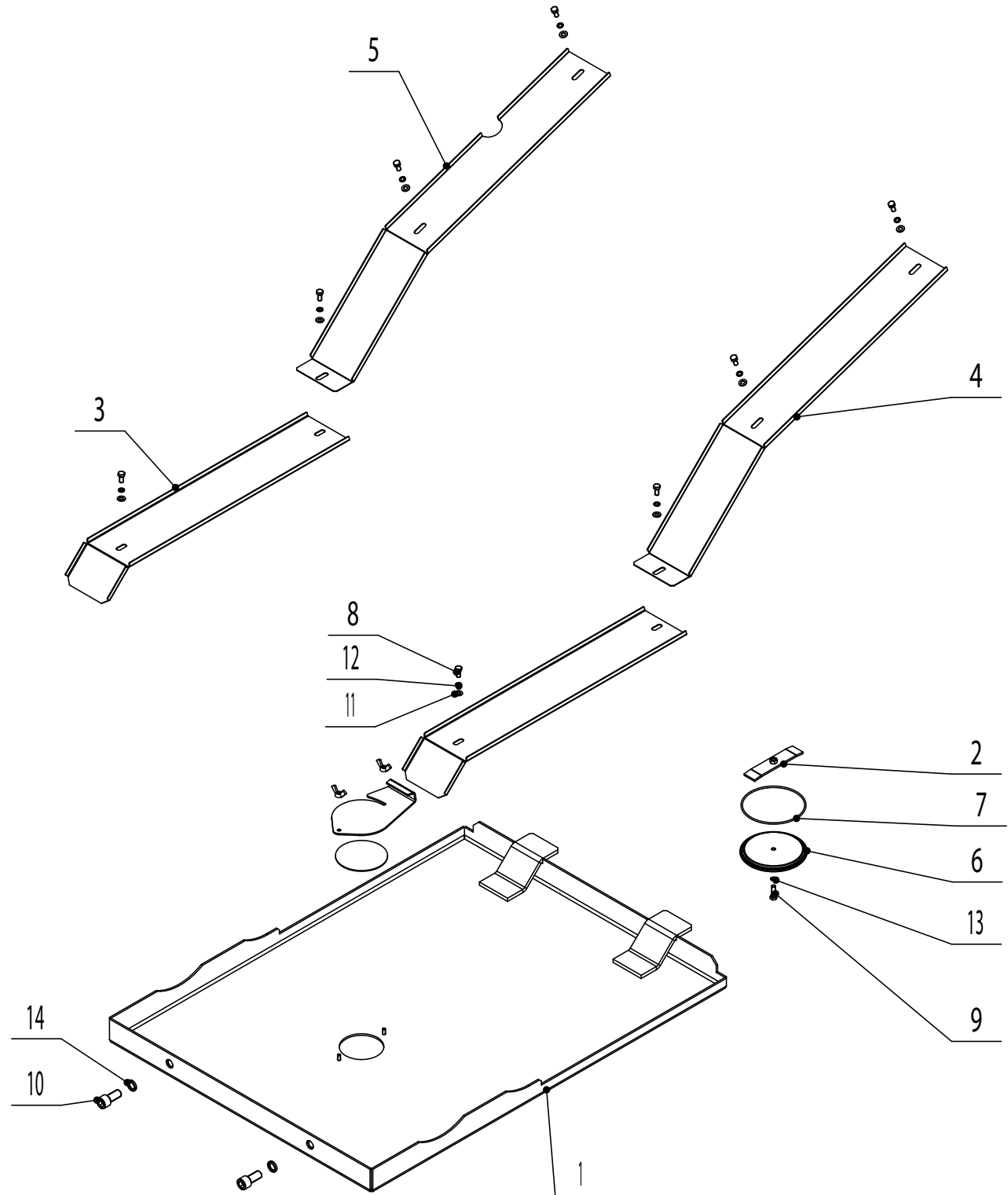


-
- 1 ► Name of group
 - 2 ► Name of part
 - 3 ► Item
 - 4 ► Number of group
 - 5 ► Ordering number
 - 6 ► Number of pieces
 - 7 ► Modification

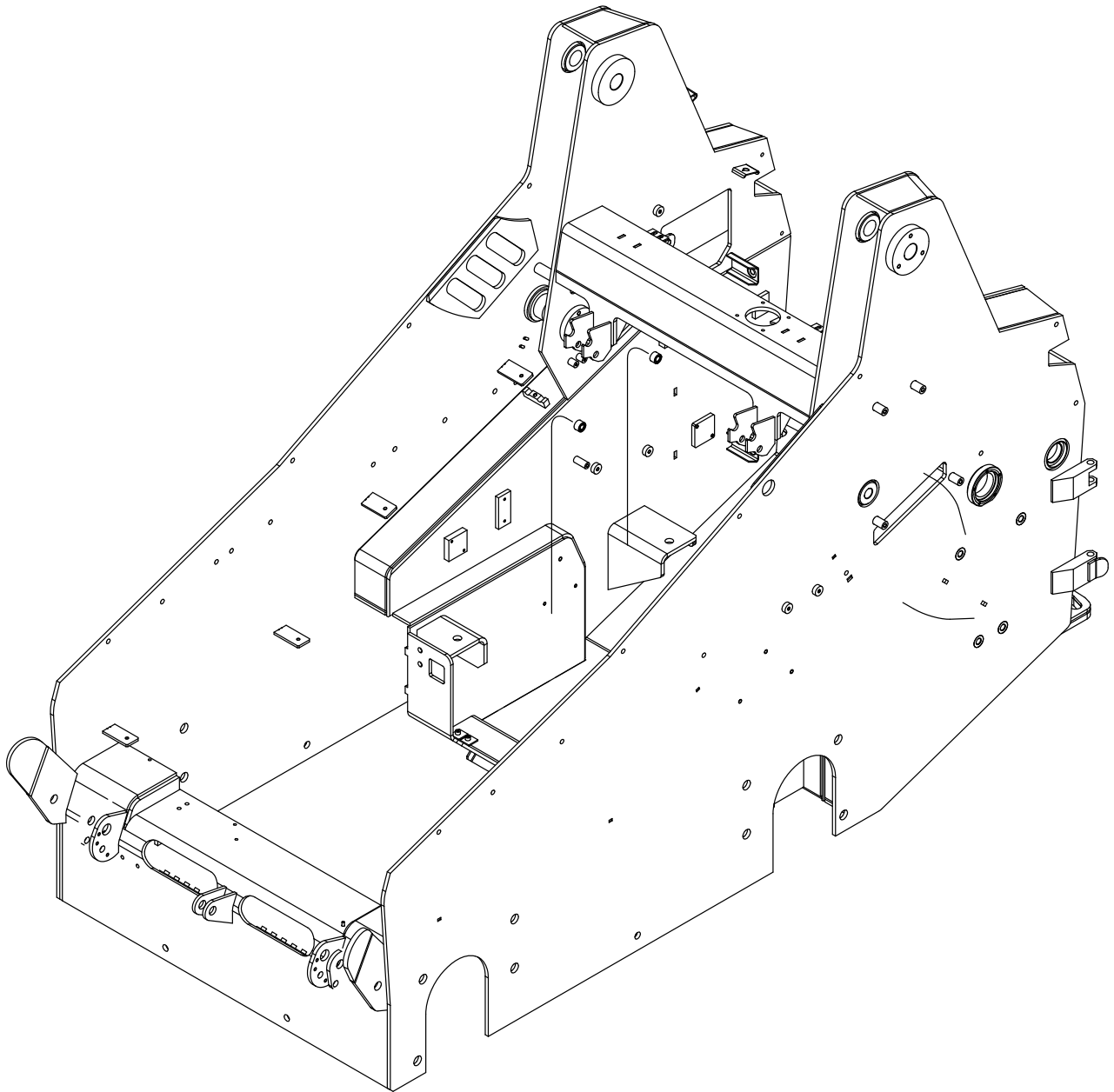
(for example: 463/02→ = part valid from serial number 463/02)



1	2	3	4	Name
1	07020034	1		RIGHT CAB LOCKER
2	07020033	1		LEFT CAB LOCKER
3	20021003	1		SPRING BRACKET
4	20021004	1		CLOSING BRACKET
6	20021006	2		LEFT JAW
7	00020015	2		SAFETY
8	11020065	1		PIN
9	20021009	1		WELDED ROCKER
10	20021010	2		PIN
11	00020007	2		SPRING
12	00151023	2		PIN
13	00151026	2		SAFETY
14	08120013	4		STOP
15	01050017	4		SCREW M8x18
16	01092018	4		SCREW M8x16
17	06321012	2		SCREW M12x40
18	01071017	2		NUT M12
19	00020018	2		WASHER 8.4
20	00083021	1		WASHER 10.5
21	00031054	4		WASHER 13
22	00020019	8		WASHER 8.2
23	00174027	1		COTTER PIN 3.2x25
24	20021024	1		PIN WITH SPRING M10
25	20021025	8		PLUG
26	07020014	4		SAFETY RING 12
27	06263011	2		SAFETY RING 7
28	00151021	4		SPRING



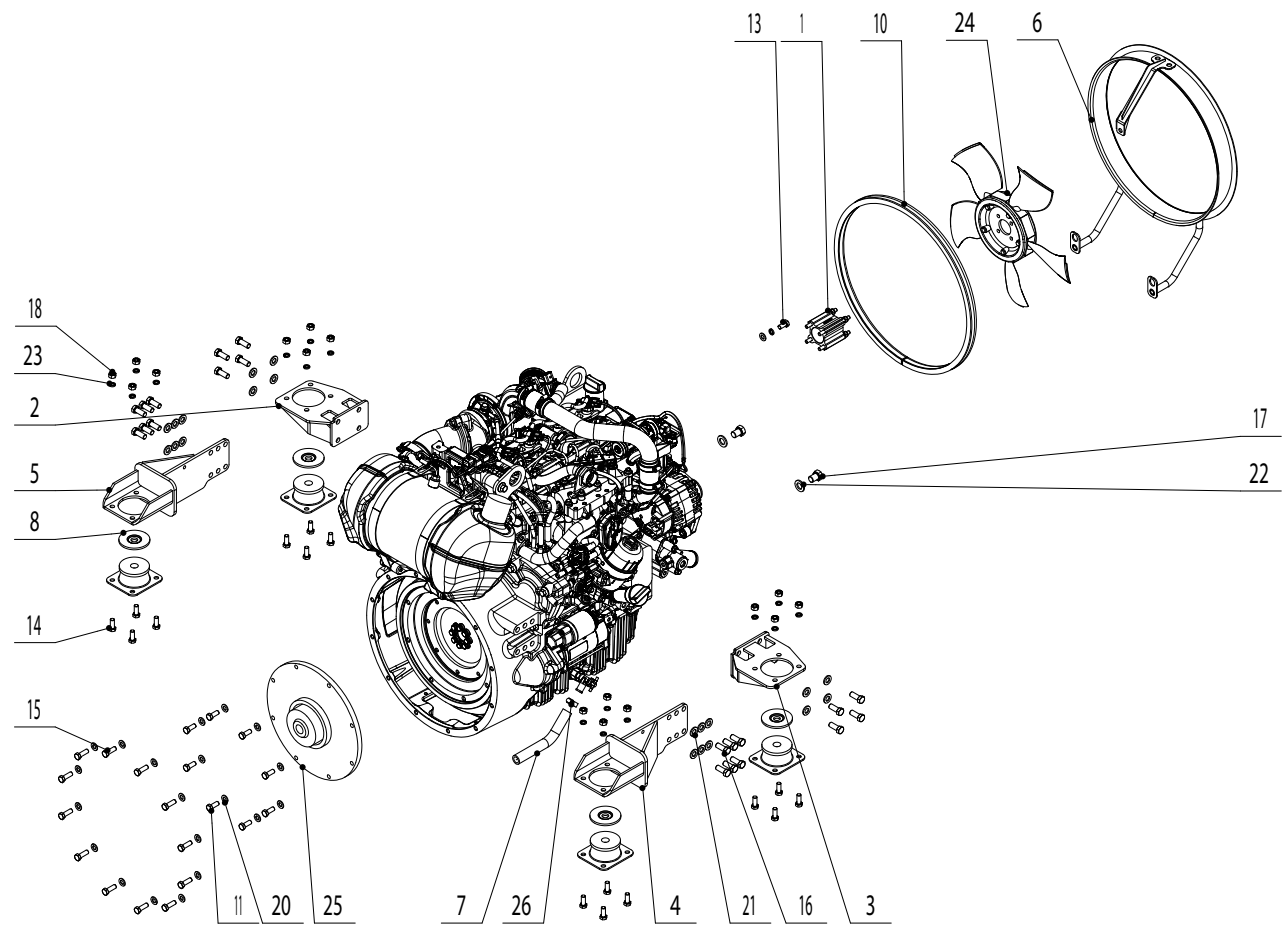
1	2	3	4	Name
1	20022001	1		FLOOR
2	00020021	1		BRACKET
3	20022003	2		FRONT SHEET
4	20022004	1		REAR LEFT SHEET
5	20022005	1		REAR RIGHT SHEET
6	00020022	1		PLUG
7	00020025	1		SEALING RING 125x3
8	01092018	8		SCREW M8x16
9	07172007	1		SCREW M8x25
10	07521027	2		SCREW M16x35
11	00020018	8		WASHER 8.4
12	00020019	8		WASHER 8.2
13	07020019	1		COPPER RING 8x12x1
14	00171024	2		WASHER 16.3



WELDED FRAME

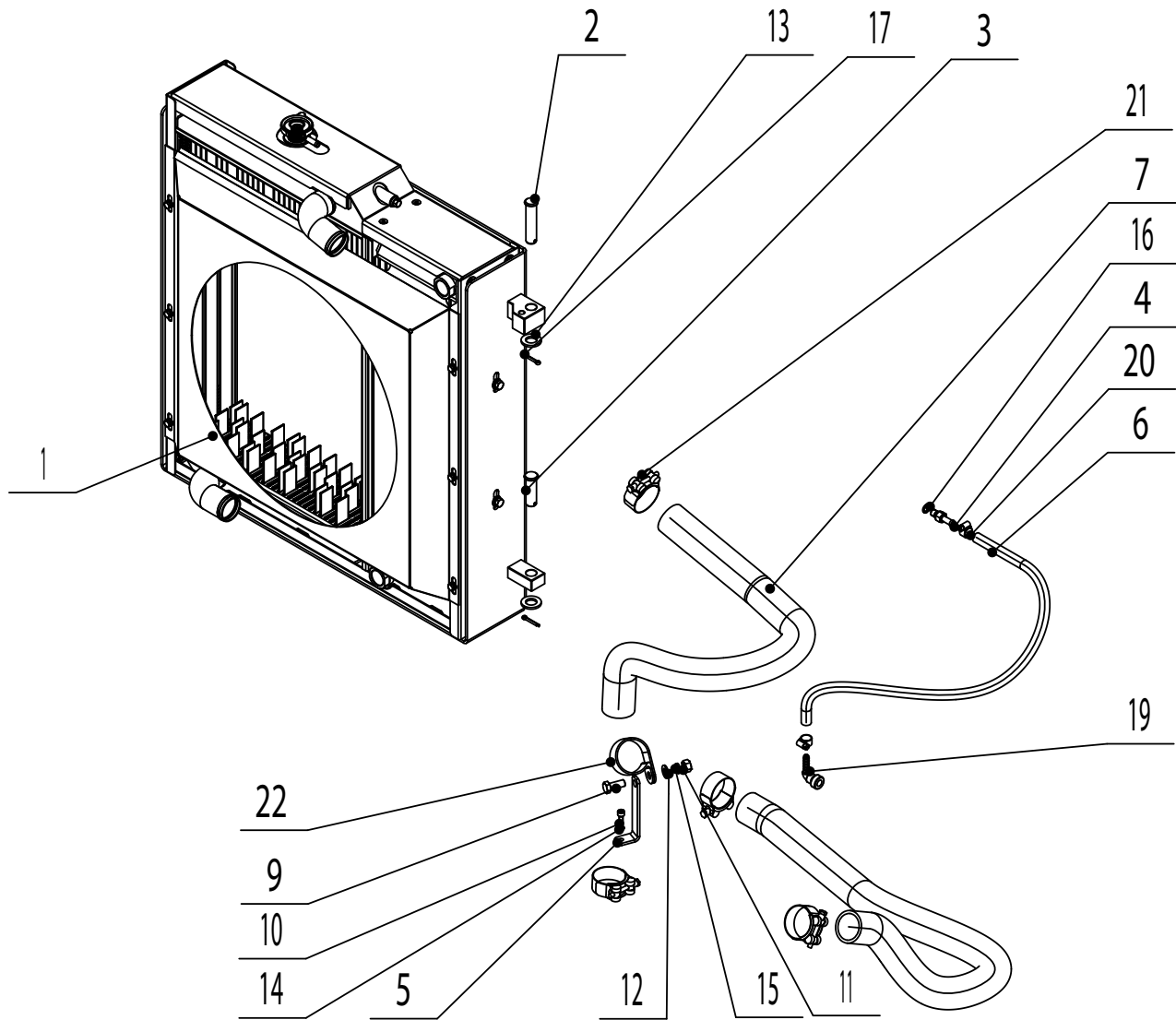
02.3

1	2	3	4	Name
1	21023001	1		WELDED FRAME

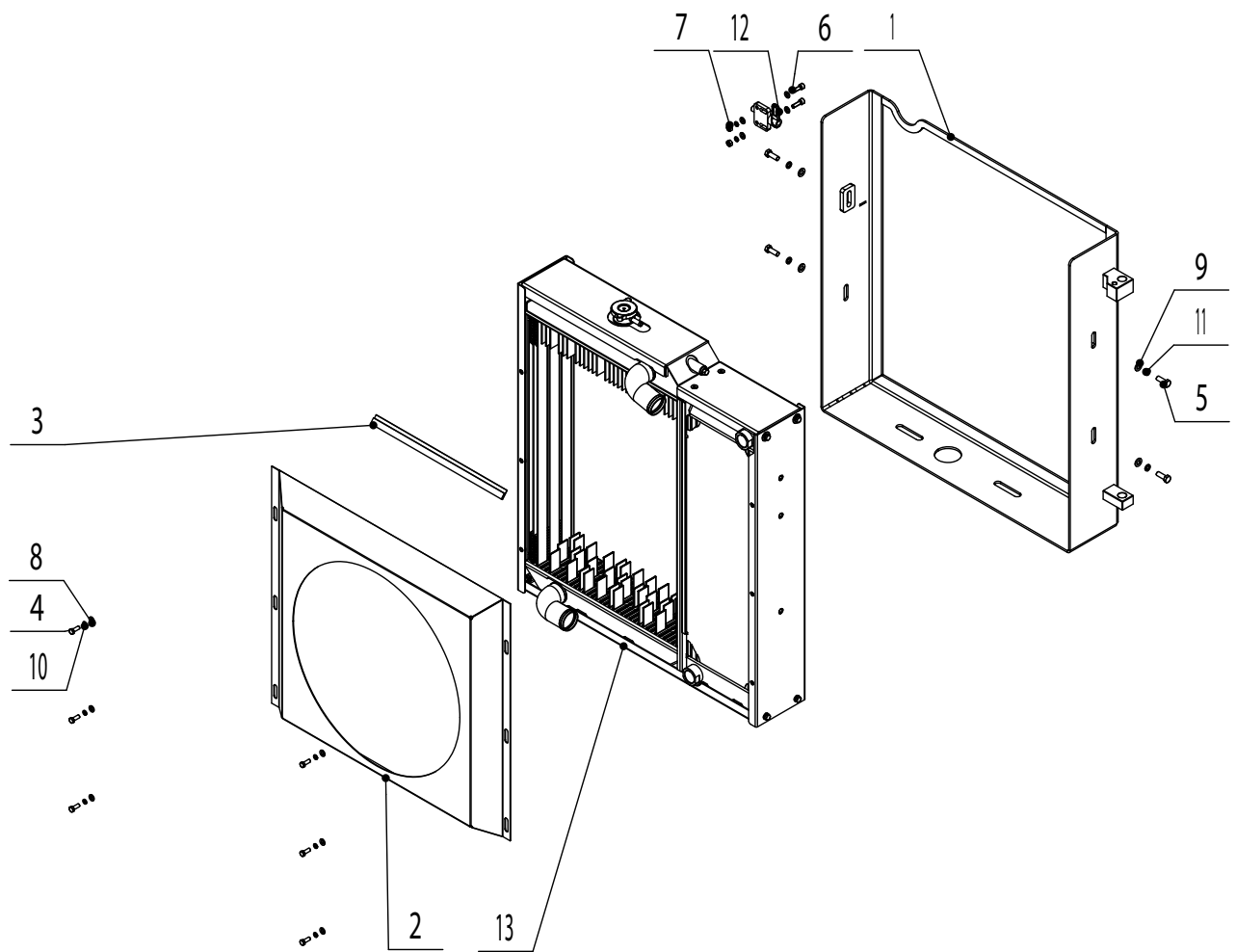


ENGINE WITH EQUIPMENT**07.1**

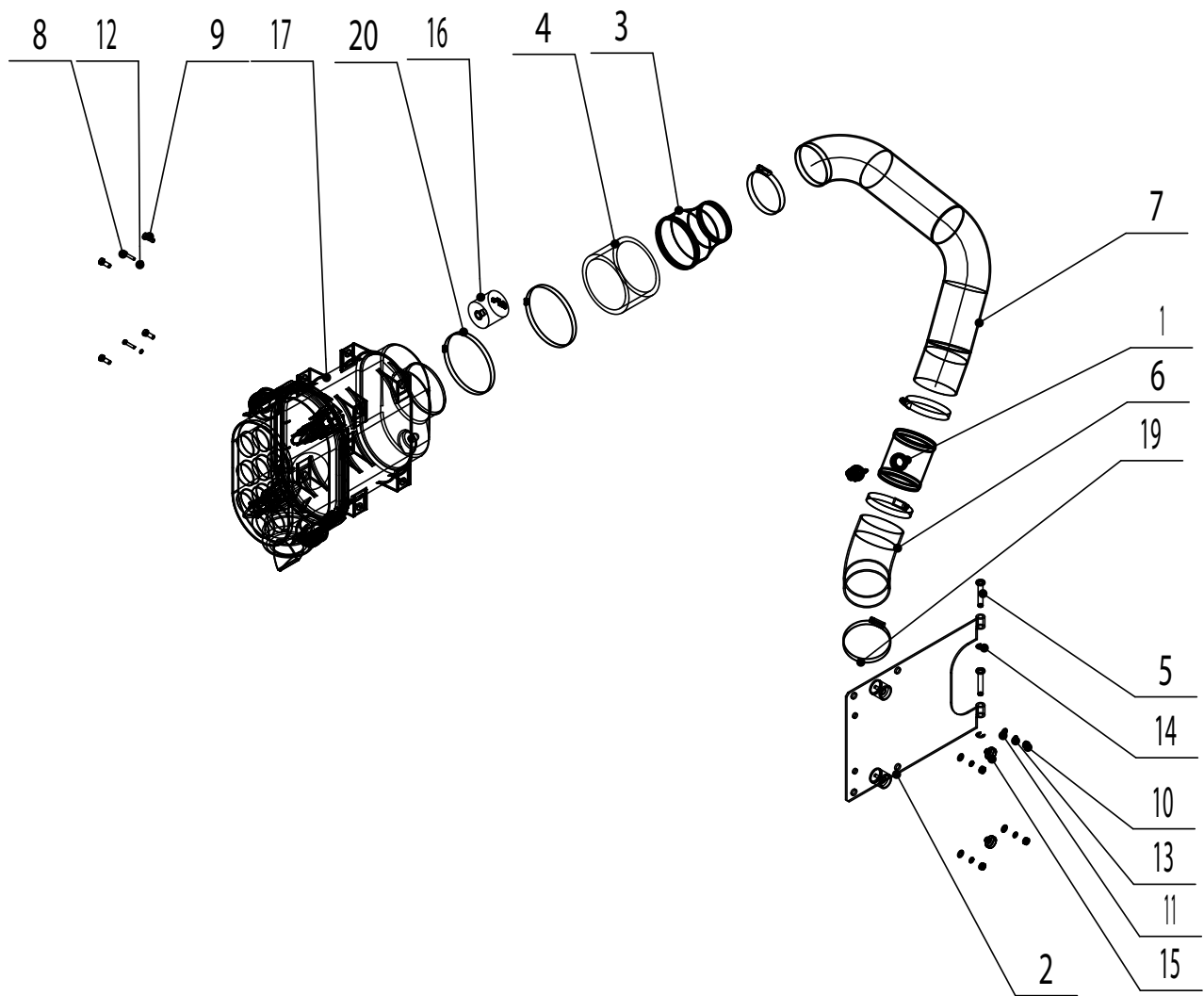
1	2	3	4	Name
1	12177077	1		ENGINE PERKINS 904J-E28T STAGE V
2	12177080	1		RIGHT ENGINE BRACKET
3	12177081	1		LEFT ENGINE BRACKET
4	12177078	1		RIGHT BOX BRACKET
5	12177079	1		LEFT BOX BRACKET
6	21071006	1		RIM
7	07130019	0.2		HOSE
8	01071014	4		SILENTBLOK
10	01155013	1.45		SEALING
11	12177076	8		SCREW
13	00020028	1		SCREW M10x20
14	00085020	16		SCREW M10x25
15	00173002	12		SCREW M10x30
16	01071026	20		SCREW M12x30
17	12177083	2		SCREW M16x20
18	00173005	16		NUT M10
20	00083021	21		WASHER 10.5
21	00031054	20		WASHER 13
22	08178009	2		WASHER 16
23	00020029	17		WASHER 10
24	12178099	1		FAN
25	07171023	1		CLUTCH
26	07130020	1		HOSE CLAMP



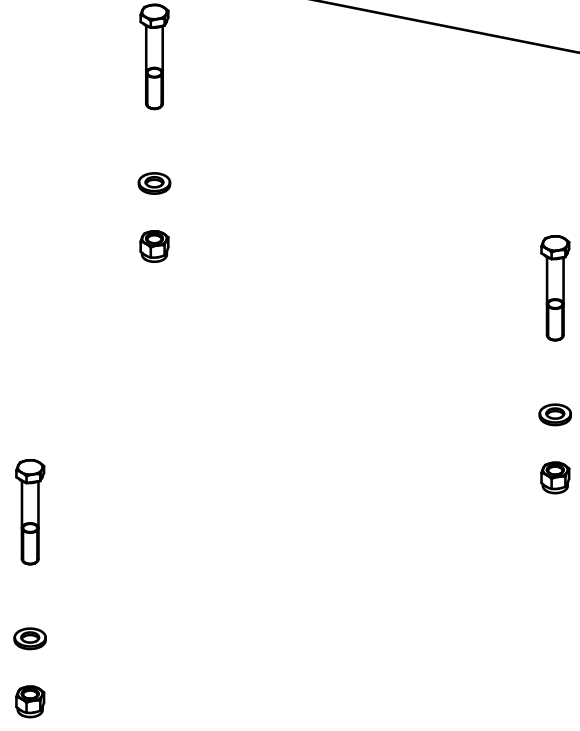
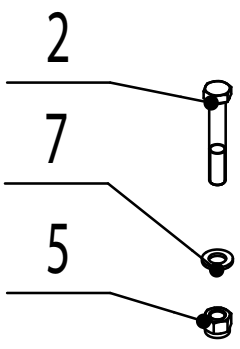
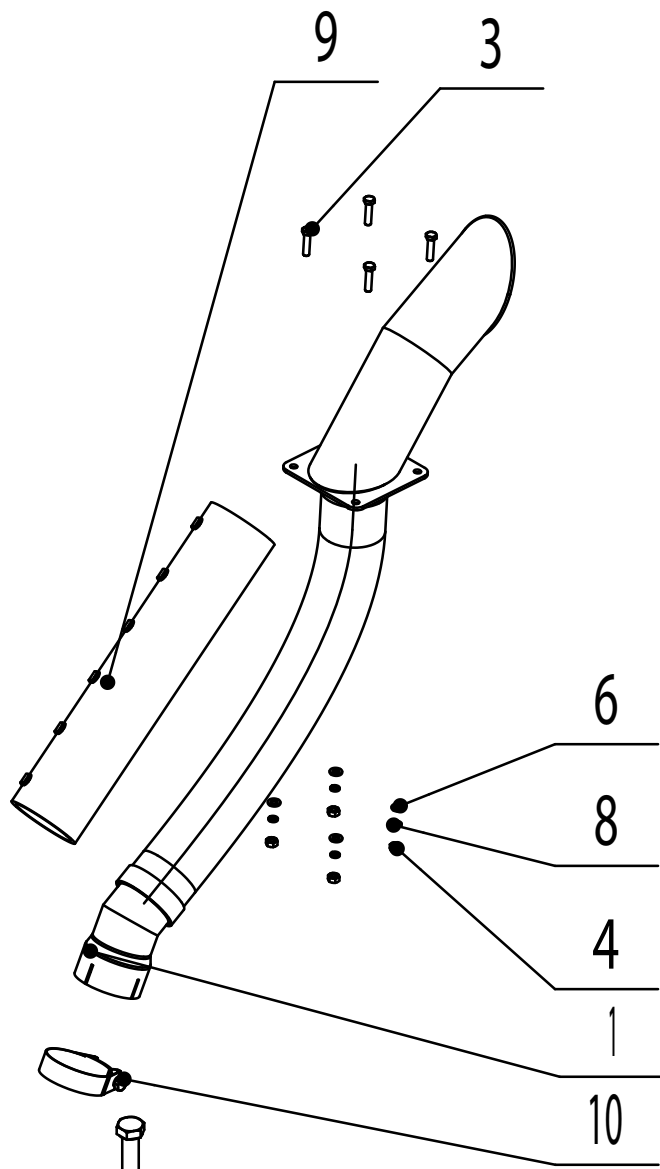
1	2	3	4	Name
1	21072001	1		COOLER ASSEMBLY
2	07120009	1		PIN
3	11173008	1		PIN
4	14179109	1		SOCKET
5	21072005	1		BRACKET
6	07050011	0.75		HOSE
7	08164007	1.72		WATER HOSE
9	00085020	1		SCREW M10x25
10	01082030	1		SCREW M6x16
11	00173005	1		NUT M10
12	00083021	1		WASHER 10.5
13	08178009	2		WASHER 16
14	00031055	1		WASHER 6
15	00020029	1		WASHER 10
16	00191055	1		RING
17	07110015	2		COTTER PIN 4x25
18	09121074	10		BINDER CABLE
19	12183123	1		TWIN PLUG CONNECTOR
20	01050013	2		HOSE CLAMP
21	20071036	4		HOSE CLAMP
22	13061049	1		CLAMP



1	2	3	4	Name
1	21074001	1		COOLER FRAME
2	21074002	1		SHEET
3	08110031	1		PROFILE
4	02121018	6		SCREW M6x16
5	00172087	4		SCREW M8x22
6	01215022	2		SCREW M6x20
7	01083033	2		NUT M6
8	00020012	10		WASHER 6.4
9	00020018	4		WASHER 8
10	00031055	8		WASHER 6
11	00020019	4		WASHER 8
12	21074012	1		PISTON
13	08165012	1		COOLER

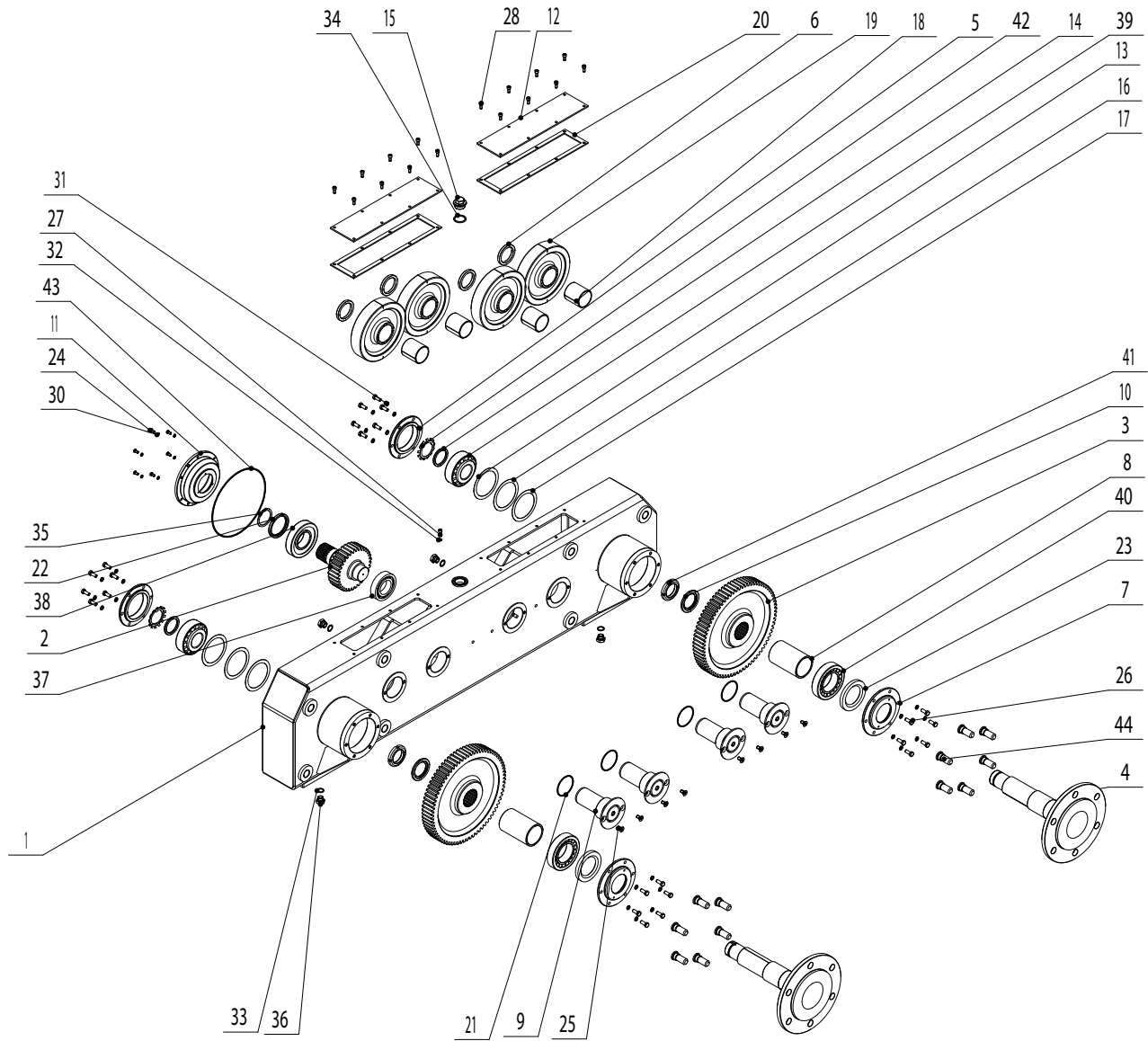


1	2	3	4	Name
1	12178096	1		INTAKE PIPE
2	20073002	1		FILTER BRACKET
3	21073003	1		REDUCTION
4	08177010	1		HOSE
5	20073003	2		PIN
6	21073006	1		SOCKET
7	21073007	0.65		AIR HOSE
8	00084011	2		SCREW M4x20
9	02121018	4		SCREW M6x16
10	01083033	4		NUT M6
11	00020012	4		WASHER 6.4
12	00111035	2		WASHER 4.1
13	00031055	4		WASHER 6
14	07020015	2		SAFETY RING 7
15	20073012	2		MAGNETIC HANDLE
16	07175039	1		INDICATOR
17	21073017	1		FILTER
19	01073007	4		HOSE CLAMP
20	09152020	2		HOSE CLAMP



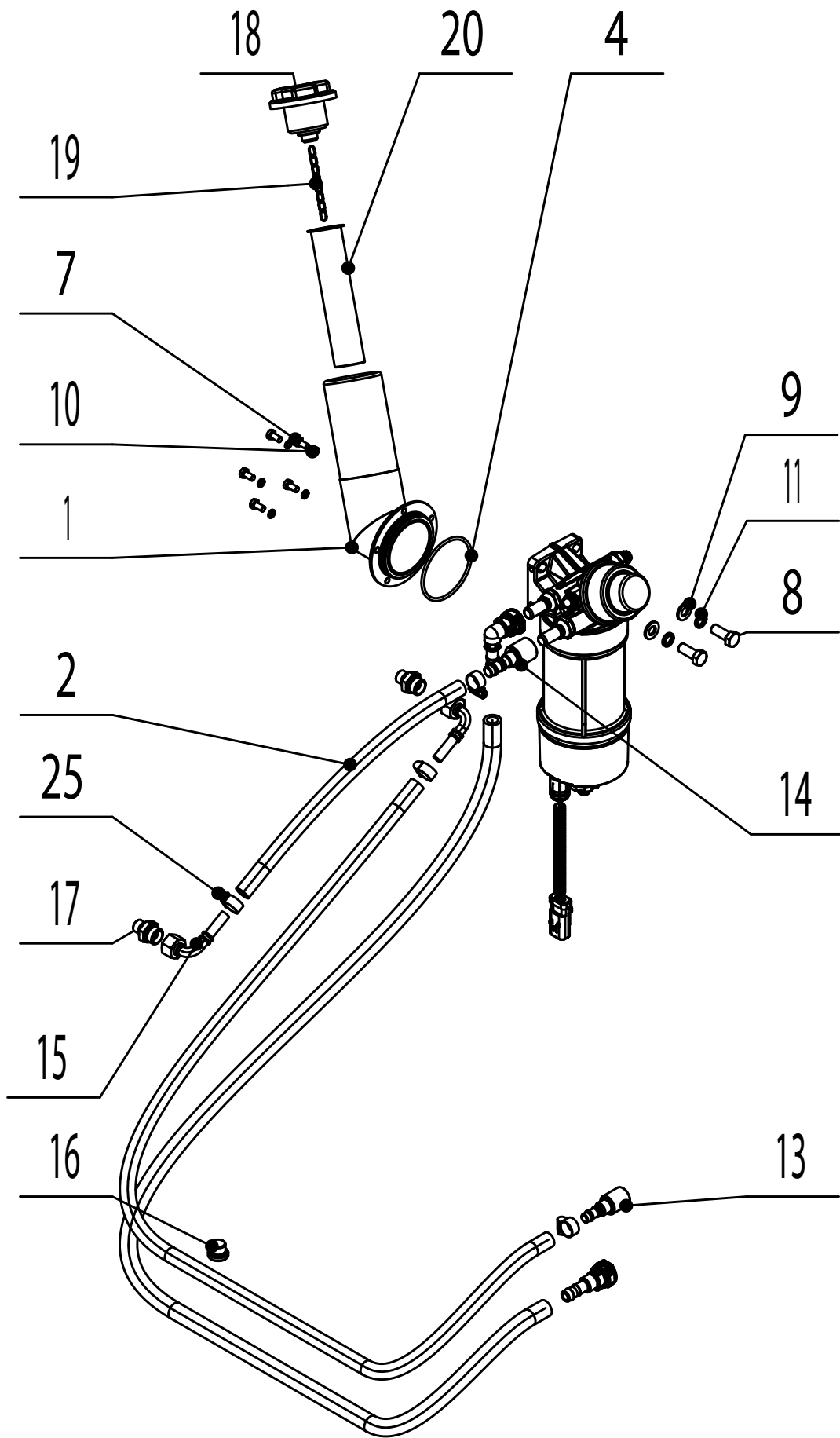
EXHAUST SYSTEM**07.5**

1	2	3	4	Name
1	21075001	1		EXHAUST MANIFOLD
2	00211012	2		SCREW M16x100
3	09068032	3		SCREW M6x25
4	01083033	4		NUT M6
5	01071013	5		NUT M16
6	00020012	6		WASHER 6.4
7	08178009	7		WASHER 16
8	00031055	8		WASHER 6
9	14212048	9		MANIFOLD ISOLATION
10	12182014	10		HOSE CLAMP
11	20251009	11		FACING



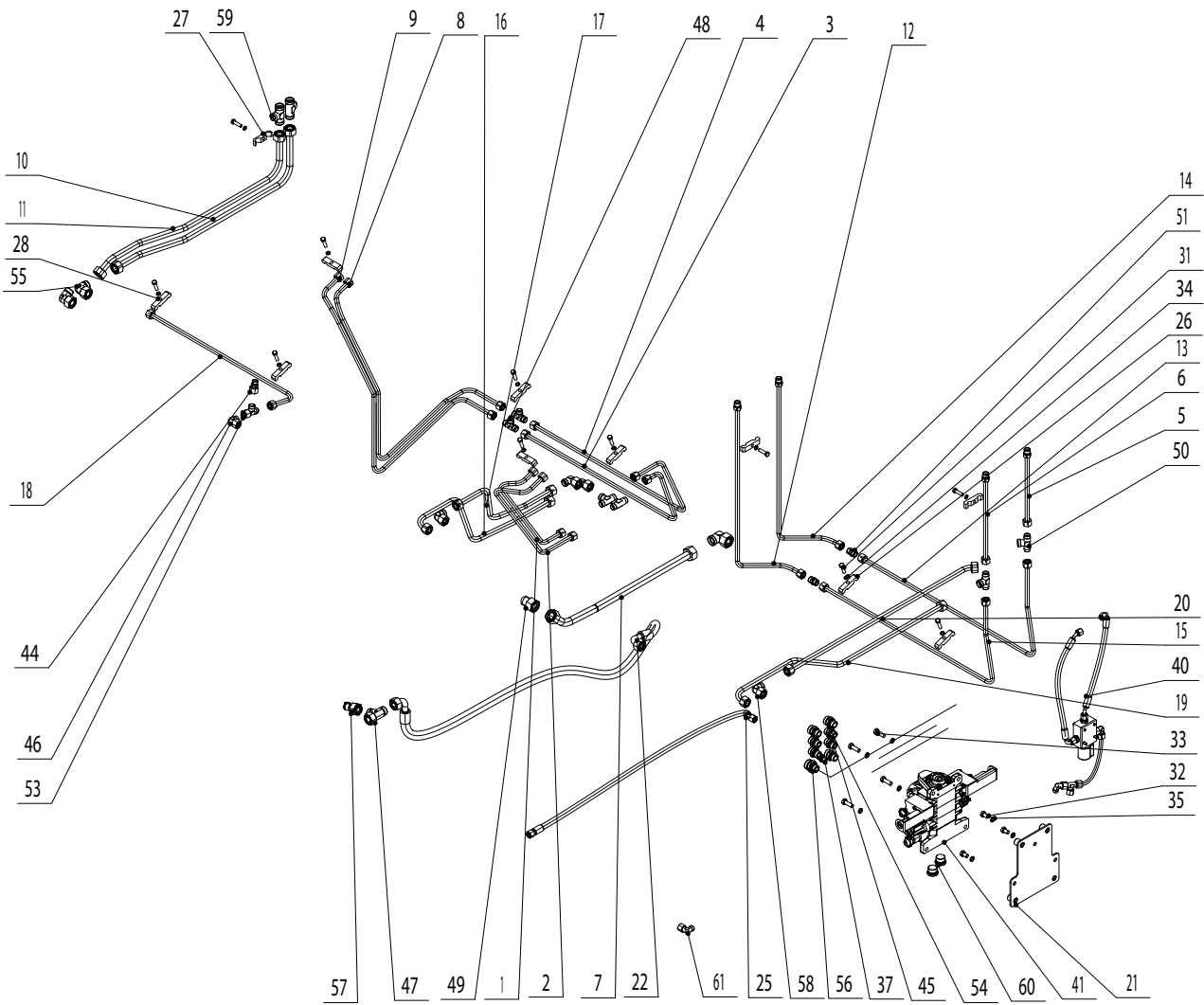
TRANSMISSION**09.1**

1	2	3	4	Name
1	21091001	1		HOUSING
2	21091002	1		PINION
3	21091003	2		WHEEL
4	12035013	2		SHAFT
5	07033018	2		COVER
6	14035005	4		RING
7	07031007	2		COVER 13
8	07033007	2		SPACER
9	07033008	4		SHAFT
10	07033009	2		RING
11	07033010	1		COVER 17
12	07033050	2		COVER
13	07033012	2		WASHER
14	07031012	2		WASHER
15	07033023	1		PLUG
16	07033013	2		WASHER 80x100x0.15
17	07033014	2		WASHER 80x100x0.3
18	14035016	4		BUSHING
19	21091019	4		WHEEL
20	20091051	2		SEALING
21	07033026	4		SEALING RING 60x3
22	07033021	1		SEAL
23	07031015	2		SEAL
24	14035031	6		SCREW M6x12
25	07033045	8		SCREW M8x16-H1
26	00996006	24		SCREW M8x20
27	00076010	1		SCREW M6x10
28	13142011	16		SCREW M6x14
30	00031055	6		WASHER 6
31	00020019	24		WASHER 8
32	00076017	1		COPPER RING 6x10x1
33	00062033	4		RING 16x20x1.5
34	00066016	1		COPPER RING 30x36x2
35	07033038	1		SAFETY RING 50
36	00075015	4		PLUG M16X1.5
37	07031018	1		BEARING
38	07031017	1		BEARING
39	07031013	2		BEARING
40	07031014	2		BEARING
41	00033016	2		NUT
42	00033017	2		WASHER
43	12035027	1		SEALING
44	00031027	12		SCREW

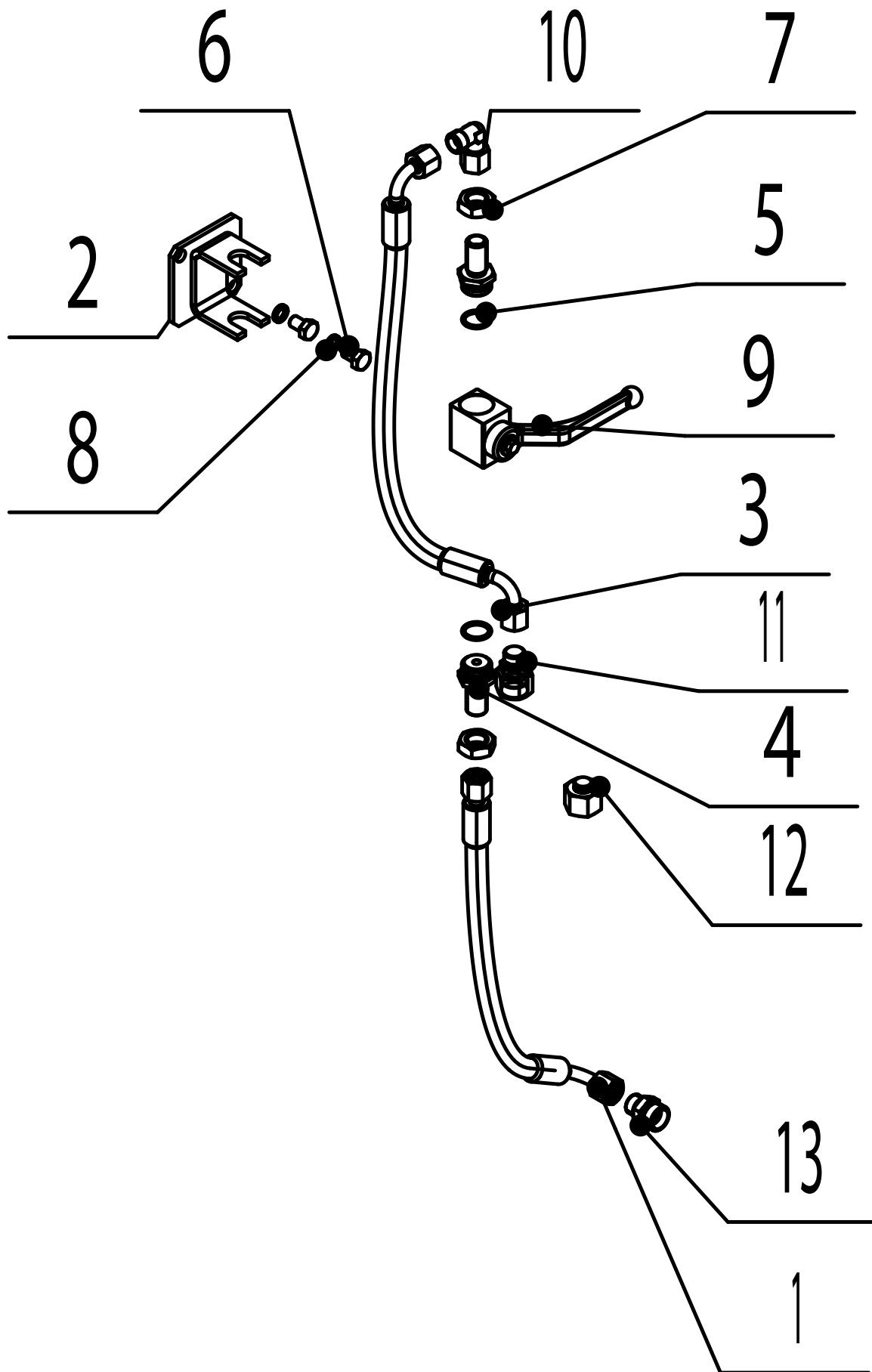


FUEL SYSTEM**15.1**

1	2	3	4	Name
1	20151001	1		SOCKET
2	12051113	1.77		HOSE
4	07050028	1		SEALING RING 70x3
6	11050025	3.27		PROTECTION
7	06261026	5		SCREW M6x12
8	00085020	2		SCREW M10x25
9	00083021	2		WASHER 10.5
10	00031055	5		WASHER 6
11	00020029	2		WASHER 10
12	14102052	10		BINDER CABLE 200x4.8
13	12051118	1		TWIN PLUG CONNECTOR
14	12051117	1		TWIN PLUG CONNECTOR
15	12051116	2		ENDING
16	20151022	1		PLUG
17	12051115	2		SOCKET
18	12063088	1		PLUG
19	20151024	1		CHAIN
20	20151025	1		SIEVE FILTER
25	01050013	4		HOSE CLAMP

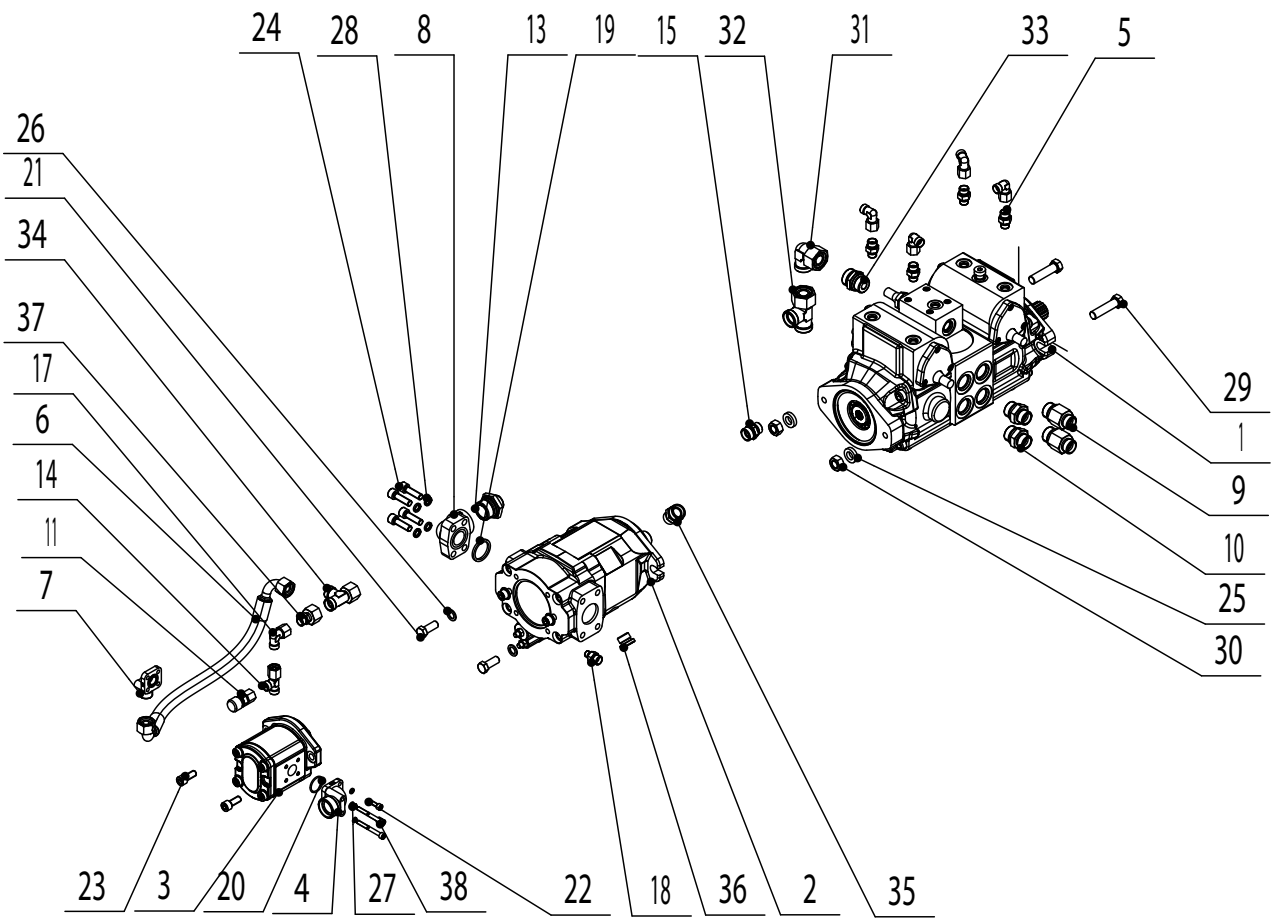


1	2	3	4	Name
1	21191001	1		PIPING
2	21191002	1		PIPING
3	21191003	1		PIPING
4	21191004	1		PIPING
5	21191005	1		PIPING
6	21191006	1		PIPING
7	21191007	1		PIPING
8	21191008	1		PIPING
9	21191009	1		PIPING
10	21191010	1		PIPING
11	21191011	1		PIPING
12	21191012	1		PIPING
13	21191013	1		PIPING
14	21191014	1		PIPING
15	21191015	1		PIPING
16	21191016	1		PIPING
17	21191017	1		PIPING
18	21191018	1		PIPING
19	21191019	1		PIPING
20	21191020	1		PIPING
21	21191021	1		BRACKET
22	21191022	1		HOSE
25	21191025	1		HOSE
26	09062031	8		CLAMP
27	11064008	1		CLAMP
28	21191028	2		CLAMP
31	07172008	11		SCREW M8x30
32	09121035	3		SCREW M10x16
33	00173002	4		SCREW M10x30
34	00020019	11		WASHER 8
35	00020029	7		WASHER 10
37	07081043	1		SOCKET
40	21191040	1		AUXILIARY ATTACHMENT PRESSURE RELIEF
41	11062065	1		DISTRIBUTOR 3SX12
44	21191044	1		REDUCTION
45	07420003	4		SOCKET
46	15062034	1		SOCKET
47	11063007	1		SOCKET
48	09066027	2		PROFILE
49	09175019	2		SOCKET
50	11062056	4		SOCKET
51	11062036	2		CLUTCH
53	11062082	1		SOCKET
54	07420009	3		SOCKET
55	07062056	2		L-SOCKET
56	08420004	1		SOCKET
57	21191057	1		CLUTCH
58	15063017	4		L-SOCKET
59	21191059	2		T-REDUCTION
60	11062058	2		PLUG
61	07081040	1		SOCKET

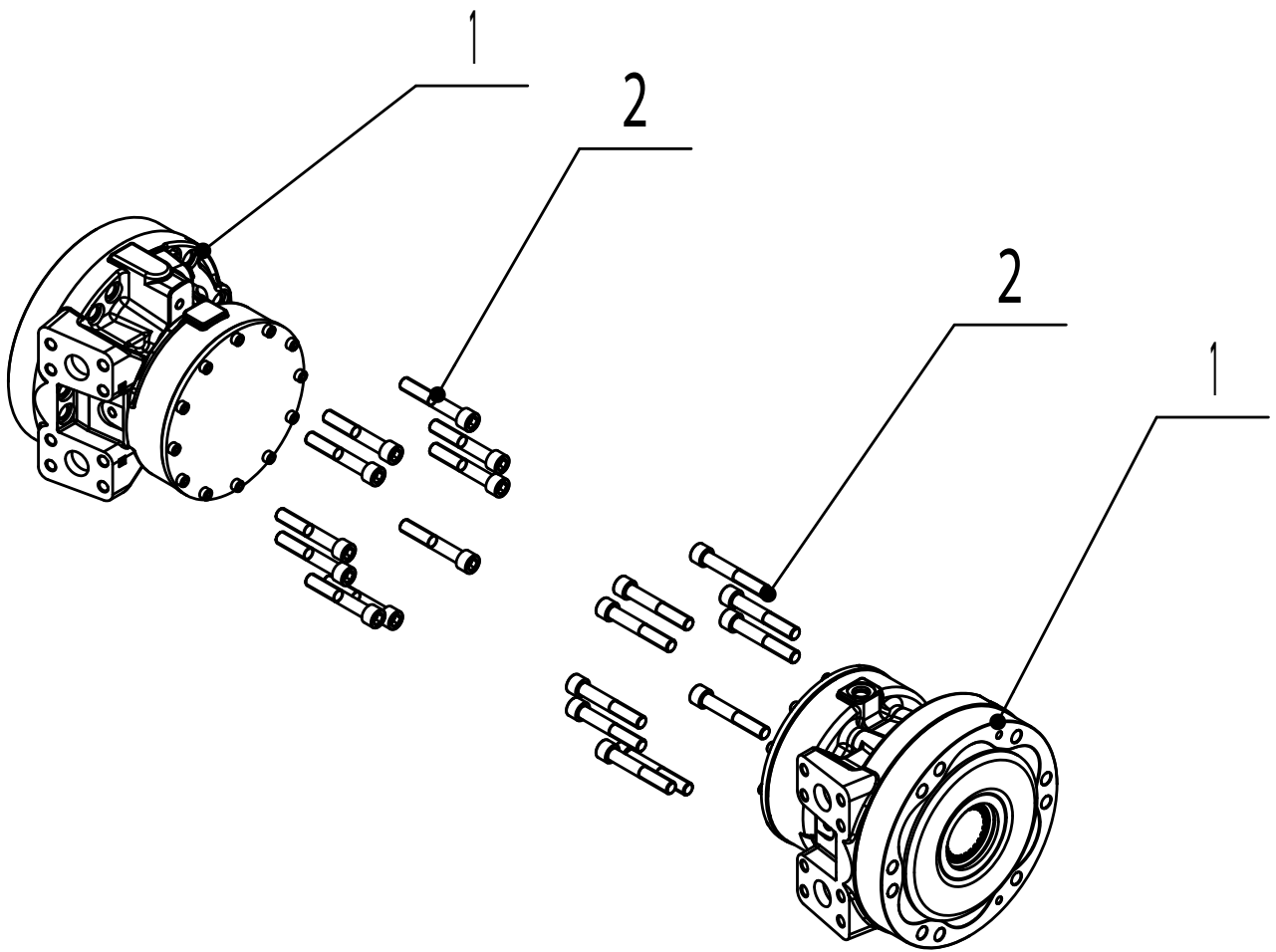


BOOM LOWERING**19.2**

1	2	3	4	Name
1	21192001	1		HOSE
2	12021098	1		BRACKET
3	20191026	1		HOSE
4	11062025	2		SOCKET
5	07062083	2		SEALING RING 16x2
6	00091019	2		SCREW M8x12
7	00176002	2		NUT M14x1.5
8	00020019	2		WASHER 8
9	11062002	1		BALL VALVE
10	15082028	1		CLUTCH
11	21192011	1		SOCKET
12	21192012	1		PLUG
13	21192013	1		CLUTCH

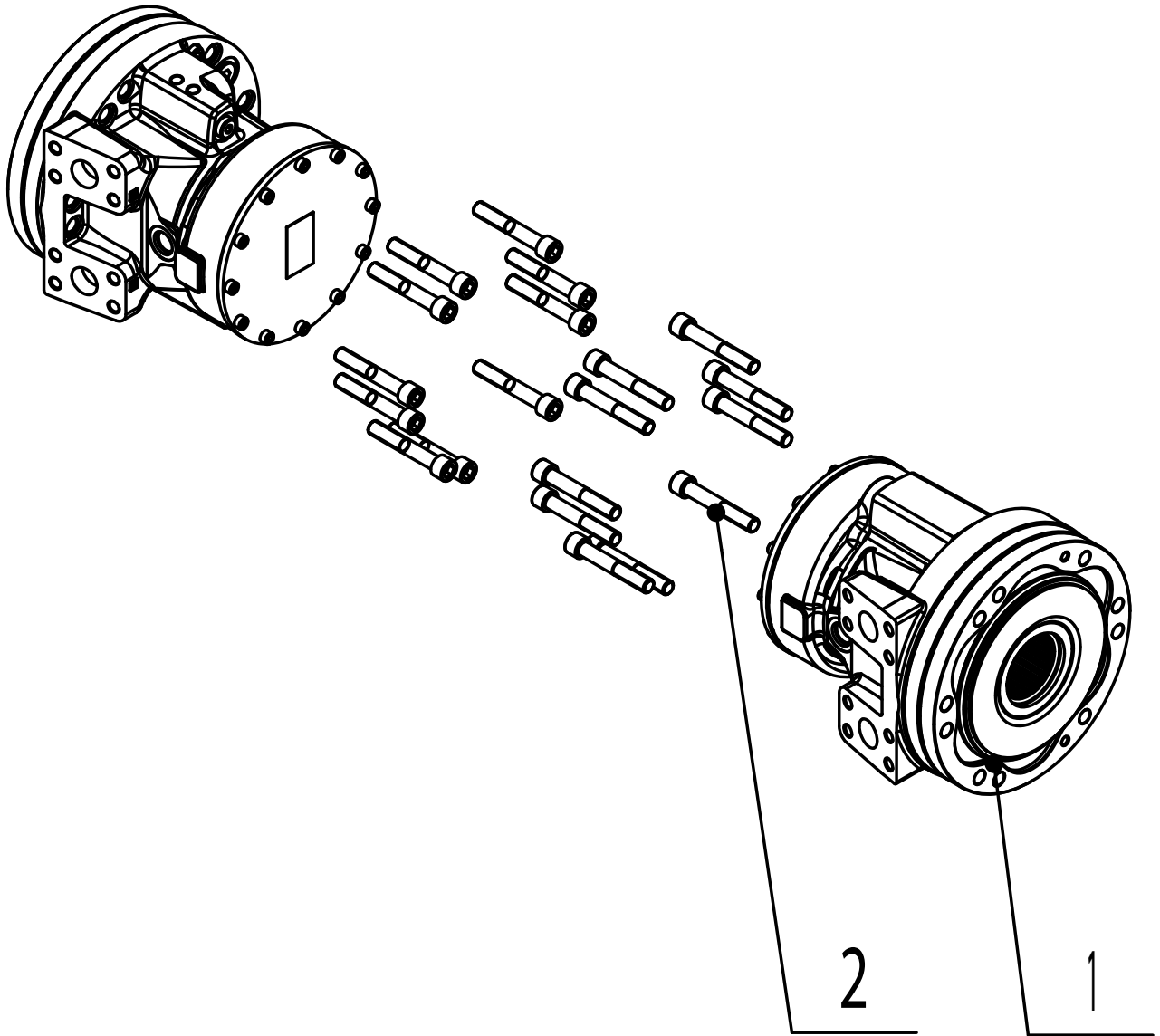


1	2	3	4	Name
1	21193001	1		PUMP A21VG45
2	12061096	1		PUMP A10VO45
3	12061097	1		PUMP AZPN-12-019
4	15061019	1		FLANGE
5	09081017	4		SOCKET
6	12061087	1		HOSE
7	12061086	1		FLANGE
8	12061089	1		FLANGE
10	11067039	4		SOCKET
11	07081089	1		CLUTCH
13	09153020	1		SOCKET
14	08081104	1		T-SOCKET
15	14062039	1		SOCKET
17	07081040	5		SOCKET
18	08061041	1		SOCKET
19	12061093	1		RING
20	11067068	1		SEALING RING 26x2
21	01071026	2		SCREW M12x30
22	01215022	2		SCREW M6x20
23	01071025	2		SCREW M10x25
24	00040006	4		SCREW M10x35
25	00211027	2		WASHER
26	08120012	2		WASHER 13
27	00031055	4		WASHER 6
28	00020029	4		WASHER 10
29	15172015	2		SCREW M14x1.5x55
30	00211028	2		NUT M14x1.5
31	09175019	1		SOCKET
32	13064032	1		SOCKET
33	21193033	1		SOCKET
34	09062025	1		T-JOINT
35	09153021	1		SOCKET
36	12061100	1		PLUG
37	21193037	1		REDUCTION
38	21193038	2		SCREW M6x55



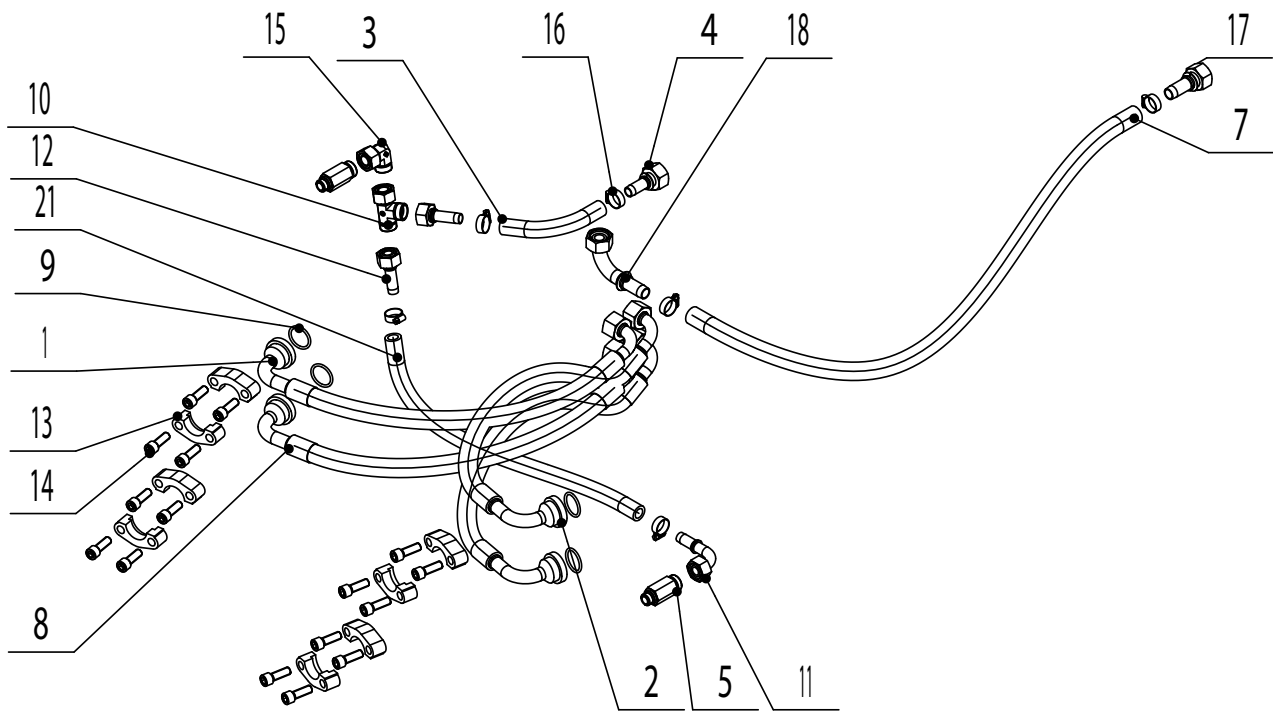
1-SPEED HYDROMOTOR ASSEMBLY**19.4**

1	2	3	4	Name
1	12061051	2		HYDROMOTOR MCR5
2	07061026	20		SCREW M12x75

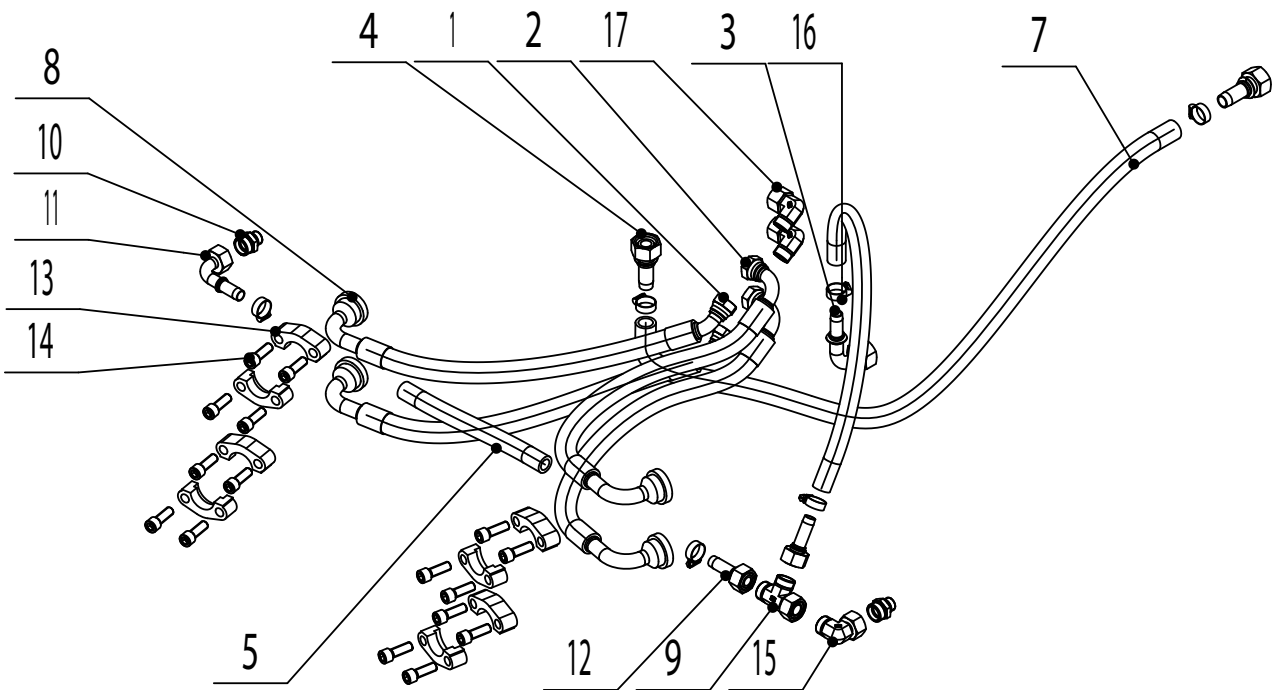


2-SPEED HYDROMOTOR ASSEMBLY**19.5**

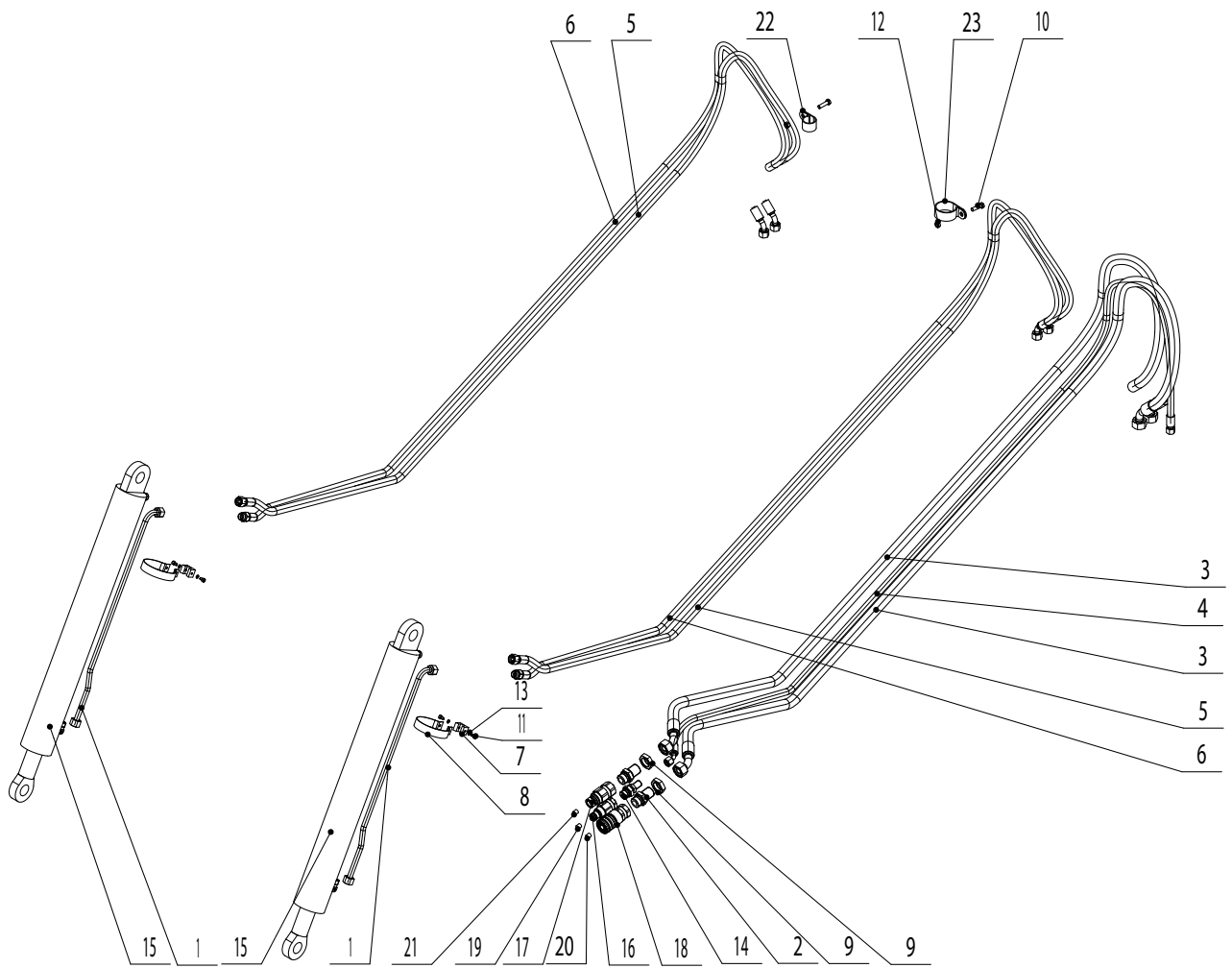
1	2	3	4	Name
1	14069017	2		HYDROMOTOR MCR5
2	07061026	20		SCREW M12x75



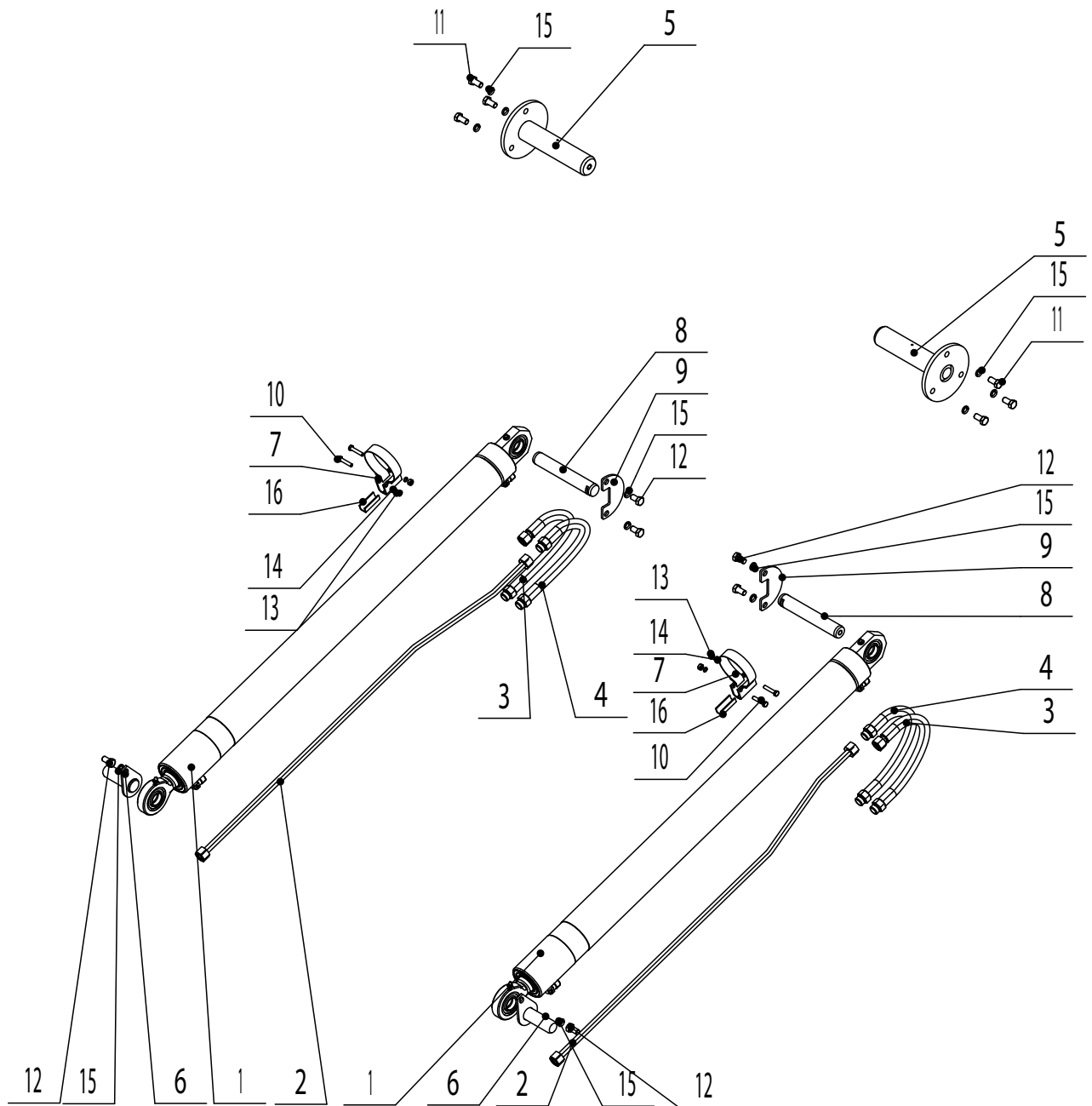
1	2	3	4	Name
1	20195001	1		HOSE
2	21196002	2		HOSE
3	00063136	0.69		HOSE
4	21196004	1		ENDING
5	12063092	2		SOCKET
7	07063016	1.25		HOSE
8	21196008	1		HOSE
9	07061024	4		RING 32.92x3.53
10	11063007	1		SOCKET
11	14068104	1		ENDING
12	14068106	2		ENDING
13	07061019	8		FLANGE
14	07061029	16		SCREW UNC 7/16x1 3/
15	07062056	1		L-SOCKET
16	00061019	6		HOSE CLAMP
17	08068032	1		ENDING
18	21196018	1		ENDING



1	2	3	4	Name
1	20195001	1		HOSE
2	21196002	2		HOSE
3	00063136	0.69		HOSE
4	21196004	1		ENDING
5	12063092	2		SOCKET
7	07063016	1.25		HOSE
8	21196008	1		HOSE
9	07061024	4		RING 32.92x3.53
10	11063007	1		SOCKET
11	14068104	1		ENDING
12	14068106	2		ENDING
13	07061019	8		FLANGE
14	07061029	16		SCREW UNC 7/16x13/
15	07062056	1		L-SOCKET
16	00061019	6		HOSE CLAMP
17	08068032	1		ENDING
18	21196018	1		ENDING

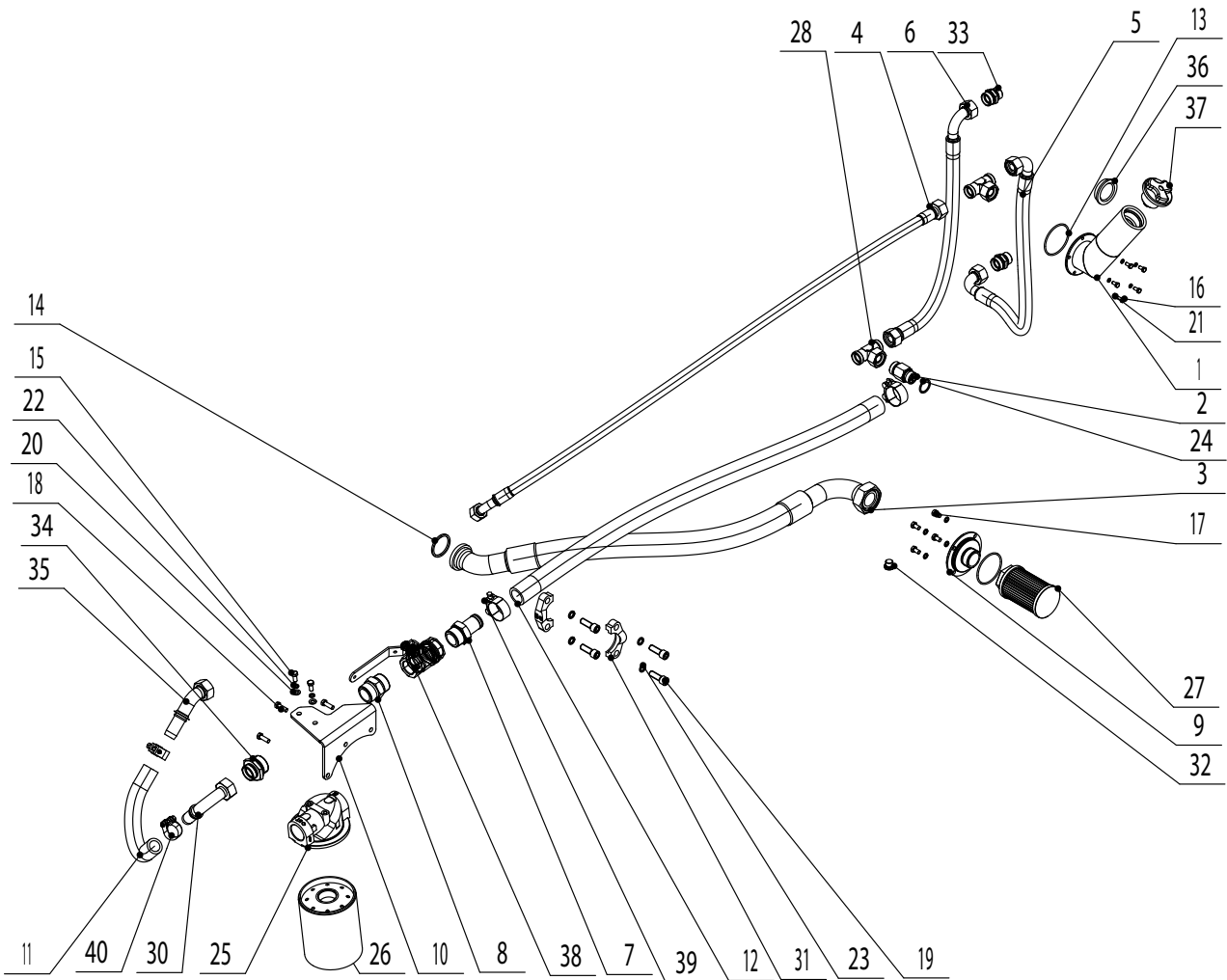


1	2	3	4	Name
1	11064050	2		CYLINDER WITH COVER
2	11064048	2		CLAMP
3	11064005	2		PIPING
4	07060053	2		SOCKET
5	20197005	2		HOSE
6	20197006	1		HOSE
7	20197007	2		HOSE
8	20197008	2		HOSE
9	11064034	2		HOUSING
10	00062066	2		NUT
11	07172008	2		SCREW M8x30
12	11064035	4		SCREW M5x8
13	01061006	2		NUT M8
14	00081064	4		WASHER 5.1
15	12064072	1		SOCKET
16	12064069	1		TWIN PLUG CONNECTOR
17	12066026	1		TWIN PLUG CONNECTOR
18	12066025	1		TWIN PLUG CONNECTOR
19	12064075	1		CAP
20	12064074	1		CAP
21	12064073	1		CAP
22	13064058	1		CLAMP
23	13061049	1		CLAMP

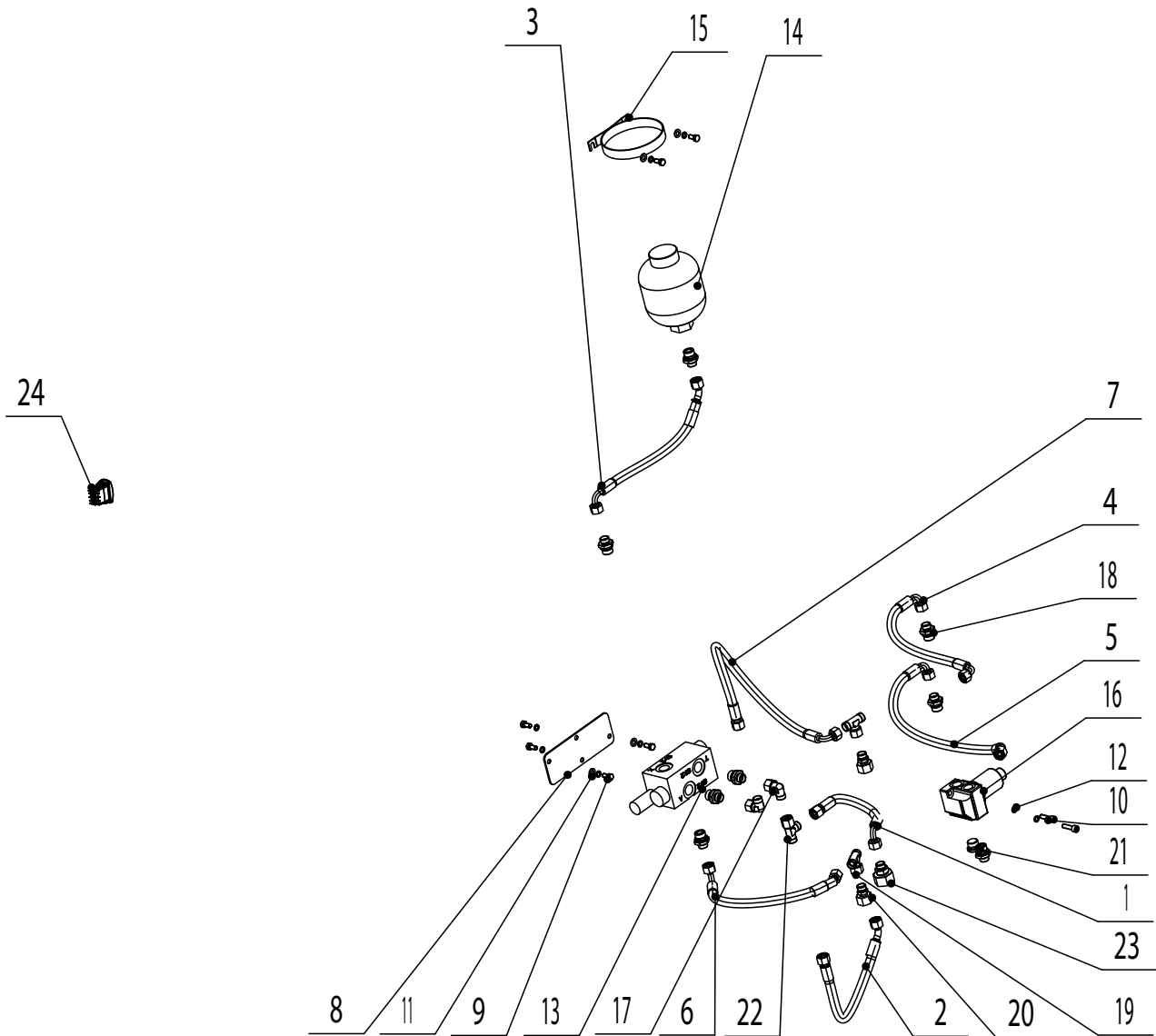


CYLINDERS AND PINS OF BOOM**19.9**

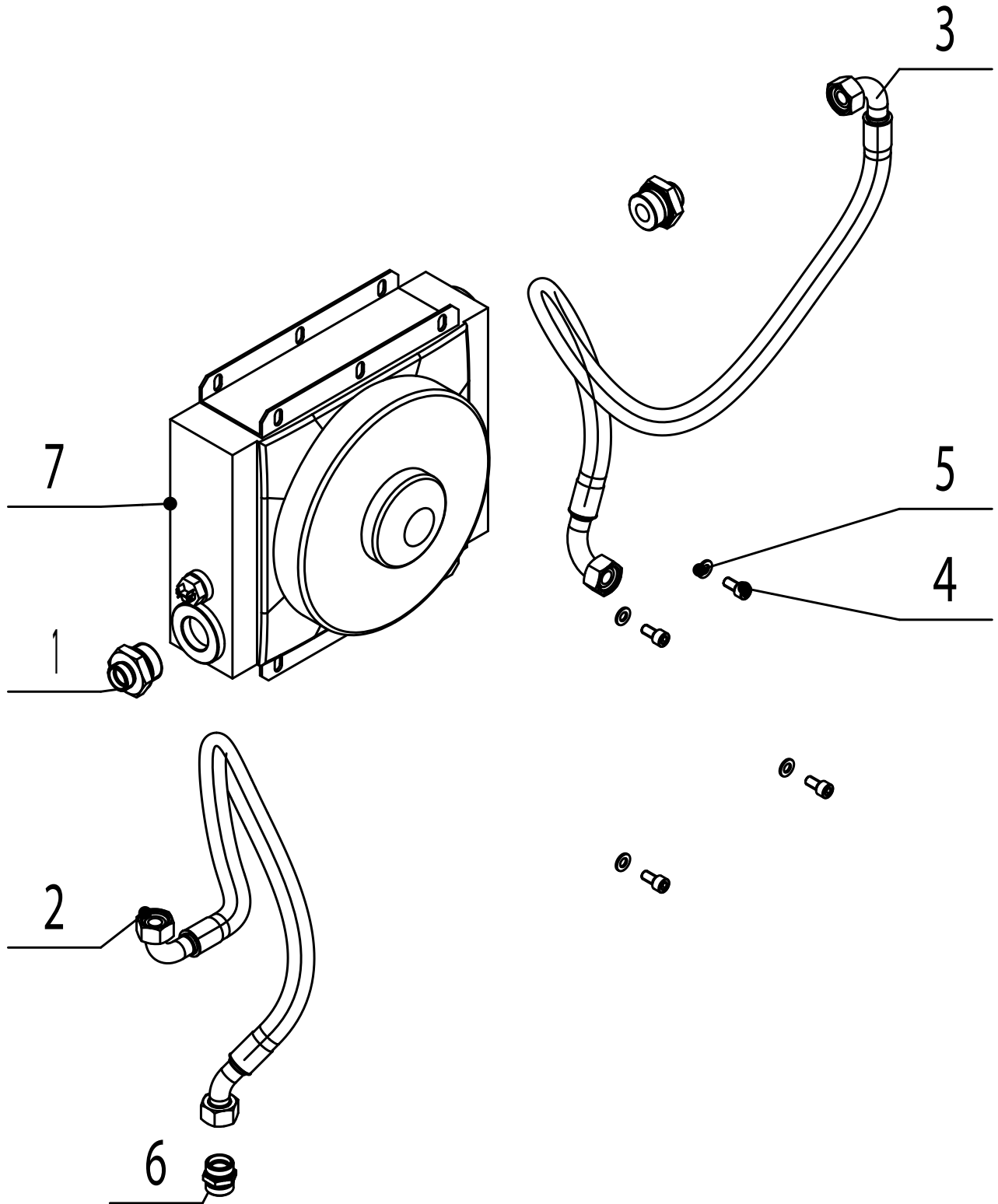
1	2	3	4	Name
1	14064056	2		CYLIDER WITH COVER
2	11064006	2		PIPING
3	11064016	2		HOSE
4	11064017	2		HOSE
5	20198005	2		WELDED PIN
6	12091055	2		PIN WITH SAFETY
7	00067030	2		CLAMP
8	12091050	2		PIN
9	12091048	2		WASHER
10	12066033	4		SCREW M6x30
11	00020028	6		SCREW M10x20
12	11091019	6		SCREW M10x18
13	01083033	4		NUT M6
14	00031055	4		WASHER 6
15	00020029	12		WASHER 10.2
16	01153012	0.08		SEALING



1	2	3	4	Name
1	20199003	1		SOCKET
2	21201002	1		BALL VALVE
3	21201003	1		HOSE
4	21201004	1		HOSE
5	21201005	1		HOSE
6	21201006	1		HOSE
7	09065043	1		SOCKET
8	15064015	1		SOCKET
9	21201009	1		COVER
10	21201010	1		BRACKET
11	07065019/1	1		HOSE
12	00061105	1.65		HOSE
13	07050028	2		SEALING RING 70x3
14	12063153	1		RING
15	01050017	2		SCREW M8x18
16	06261026	5		SCREW M6x12
17	00261072	4		SCREW M8x14
18	07172007	3		SCREW M8x25
19	00171005	4		SCREW M12x35
20	00020018	2		WASHER 8
21	00031055	5		WASHER 6
22	00020019	6		WASHER 8
23	00031052	4		WASHER 12
24	00062030	1		SEALING RING
25	08068060	1		FILTER HEAD
26	09065029	1		FILTER ELEMENT
27	11063045	1		FILTER
28	11063076	2		SOCKET
30	21201030	1		ENDING
31	12063152	2		FLANGE
32	20151022	1		PLUG
33	08420003	2		SOCKET
34	08068115	1		SOCKET
35	08068119	1		ENDING
36	00066018	1		OIL LEVEL GAUGE
37	14068115	1		PLUG
38	08063037	1		BALL VALVE
39	09065014	2		HOSE CLAMP
40	08065021	2		HOSE CLAMP

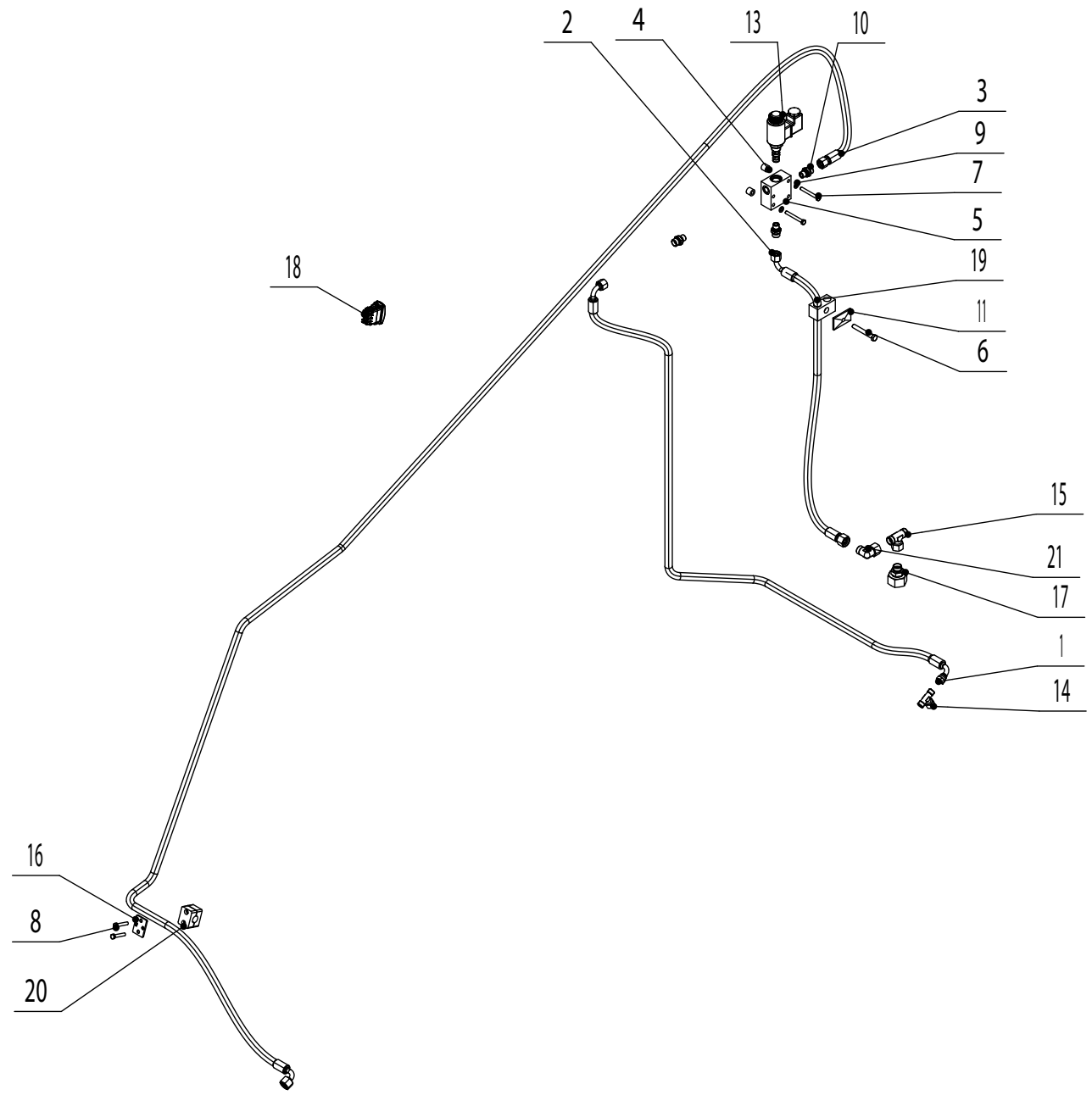


1	2	3	4	Name
1	13212004	1		HOSE PHD 210x350
2	15065016	1		HOSE PHD 210x500
3	20201003	1		HOSE PHD 210x320
4	20201004	1		HOSE PHD 210x340
5	20201005	1		HOSE PHD 210x510
6	20201006	1		HOSE PHD 210x600
7	20201007	1		HOSE PHD 210x600
8	20201008	1		SHEET
9	01092018	6		SCREW M8x16
10	09068033	2		SCREW M8x30
11	00020018	4		WASHER 8.4
12	00020019	8		WASHER 8.2
13	20201013	1		BLOCK ASSY
14	20201014	1		ACCUMULATOR
15	20201015	1		ACCUMULATOR BRACKET
16	07059047	1		FLOATING VALVE
17	15062034	2		L-SOCKET
18	07420004	8		SOCKET
19	08067160	2		T-SOCKET
20	20201020	2		REDUCTION
21	15062039	1		PLUG
22	11062082	1		SOCKET
23	20201023	1		REDUCTION
24	20201024	1		BOOM FLOATING SWITCH

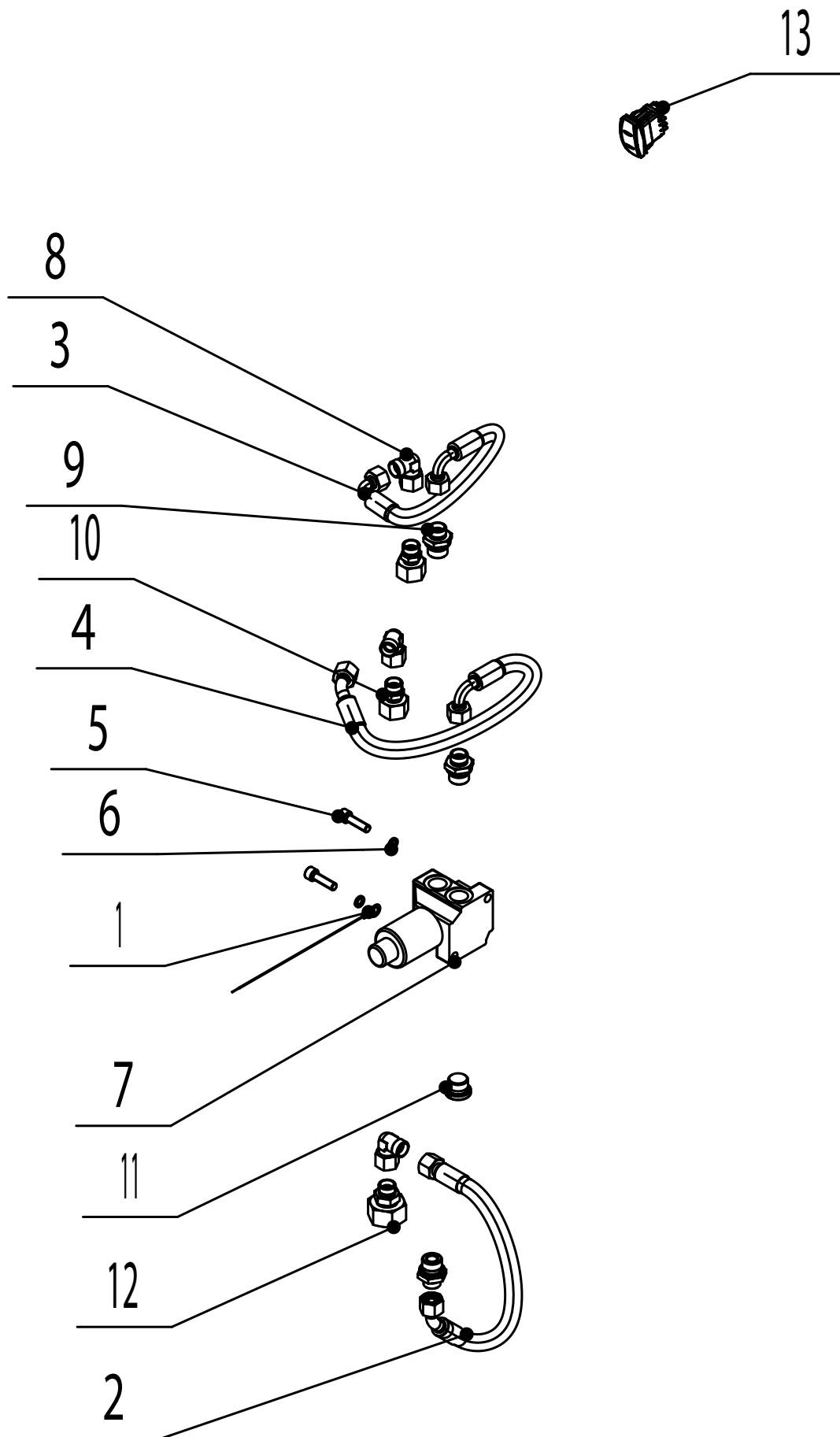


ADDITIONAL COOLING**20.3**

1	2	3	4	Name
1	20202001	2		SOCKET
2	20202002	1		HOSE
3	20202003	1		HOSE
4	09173016	4		SCREW M10x20
5	00083021	4		WASHER 10.5
6	14067115	1		CLUTCH
7	12280004	1		COOLER

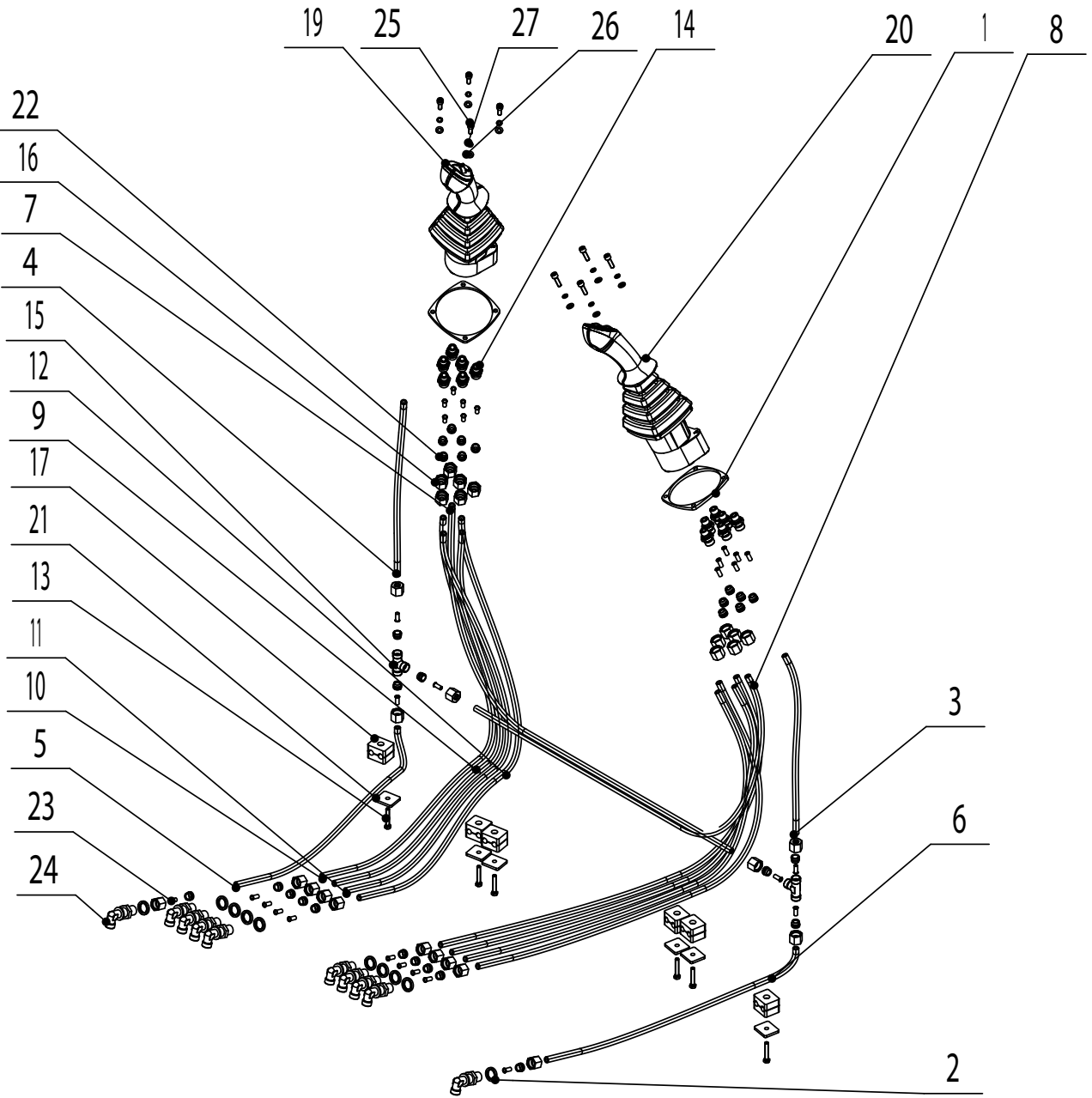


1	2	3	4	Name
1	20203001	1		HOSE
2	20203002	1		HOSE
3	20203003	1		HOSE
4	07081059	2		WASHER
5	00082030	1		CUBE
6	06087057	1		SCREW M8x60
7	20203007	2		SCREW M6x50
8	07402013	2		SCREW M6x35
9	00020012	2		WASHER 6.4
10	07081043	3		SOCKET
11	13052060	1		CLAMP
12	09121074	5		BINDER CABLE 365x7.8 MM
13	08083050	1		DISTRIBUTOR
14	15082031	1		T-SOCKET
15	08067160	1		T-SOCKET
16	20203016	1		SHEET
17	20201023	1		REDUCTION
18	20203018	1		SWITCH OF HYDRAULIC SPEED CLAMPING DEVICE
19	20203019	1		CLAMP
20	20203020	1		CLAMP
21	15062034	1		L-SOCKET



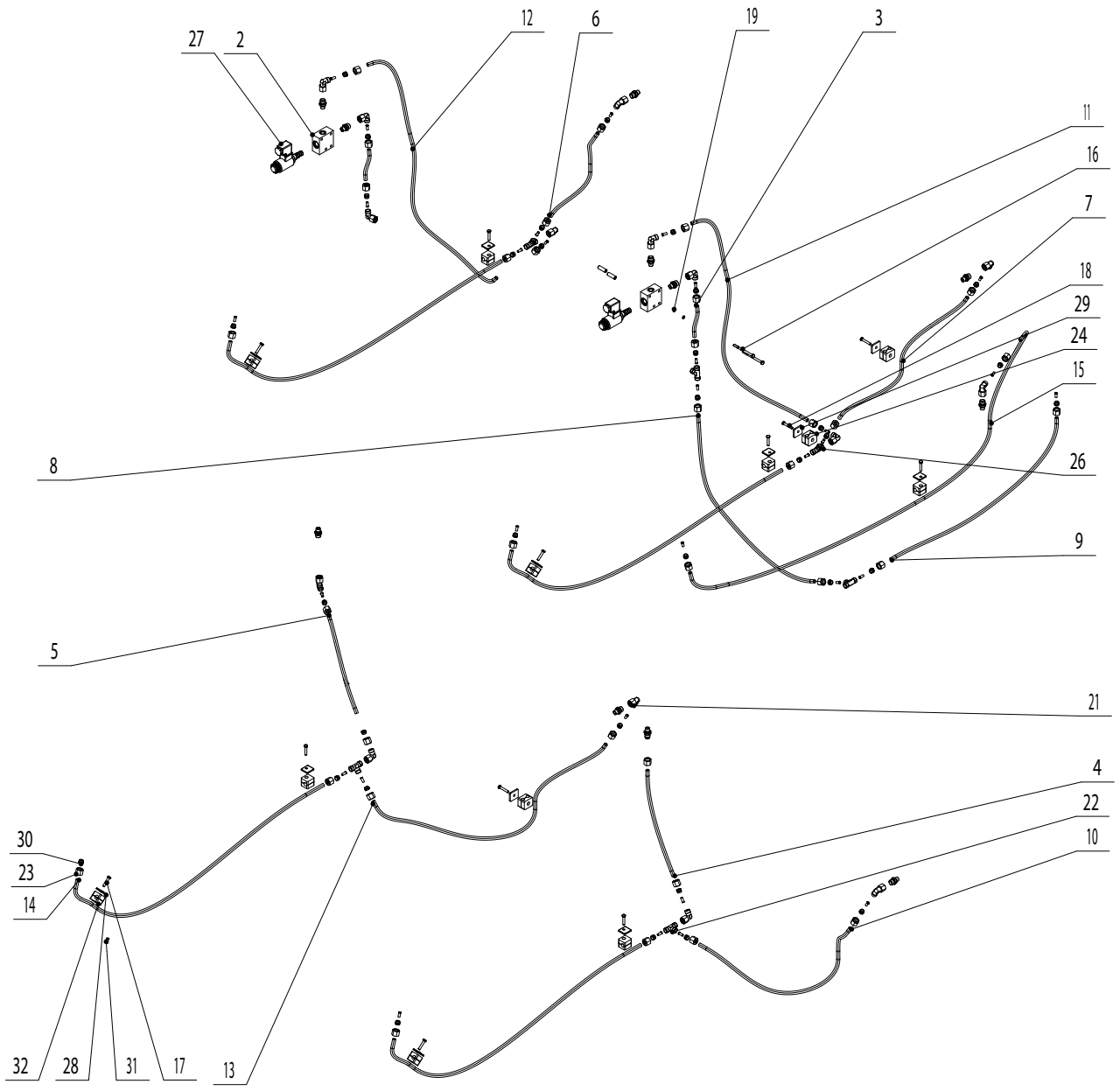
FLOATING OF BOOM**20.5**

1	2	3	4	Name
1	20204001	1		EARTH CONDUCTORS
2	15065016	1		HOSE
3	20201004	1		HOSE
4	20201005	1		HOSE
5	09068033	2		SCREW M8x30
6	00020019	2		WASHER 8.2
7	07059047	1		VALVE OF BOOM FLOATING
8	15062034	3		L-SOCKET
9	07420004	3		SOCKET
10	20201020	2		REDUCTION
11	15062039	1		PLUG
12	20201023	1		REDUCTION
13	20201024	1		SWITCH OF BOOM FLOATING

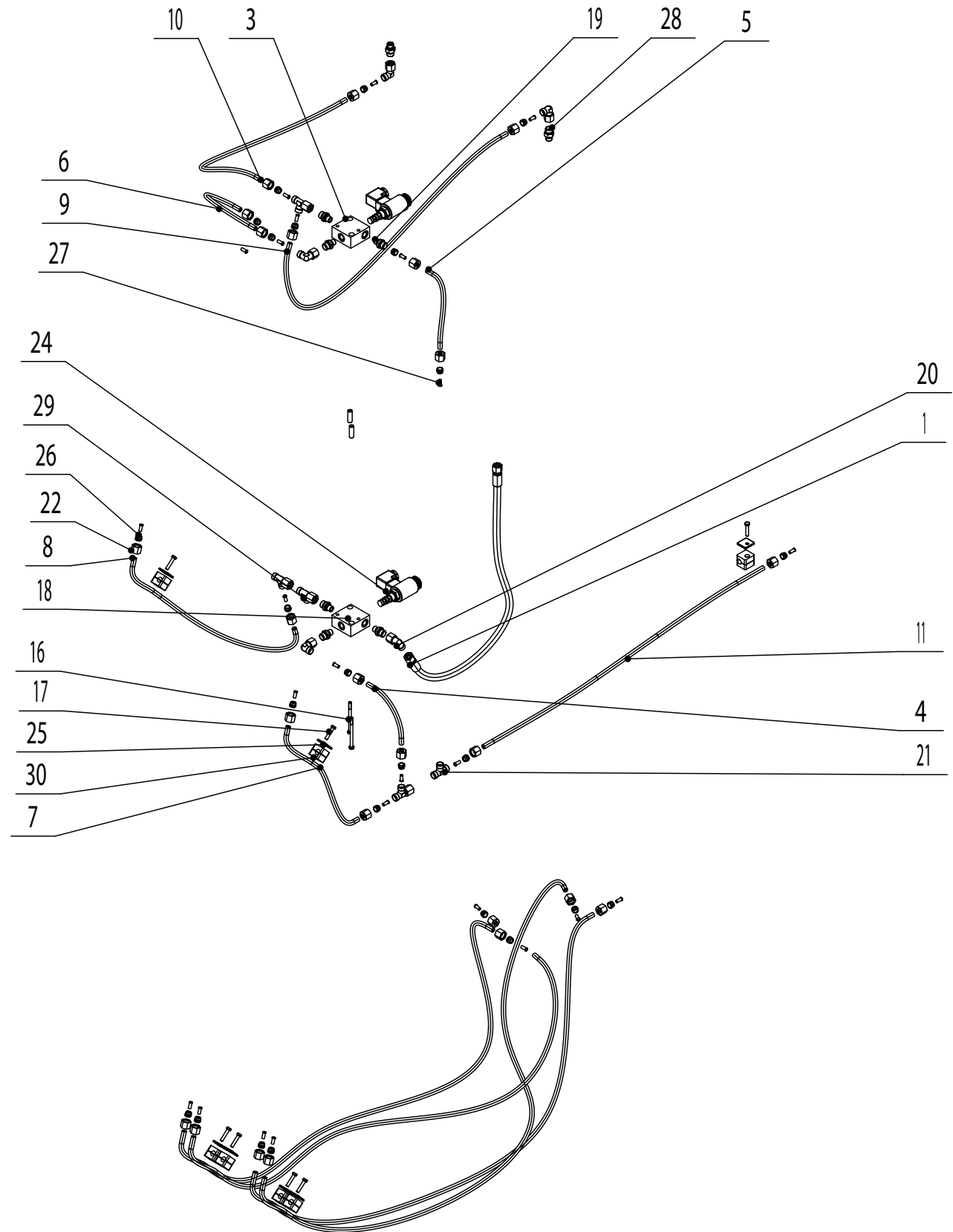


TWO HANDED CONTROL IN CABIN**21.1**

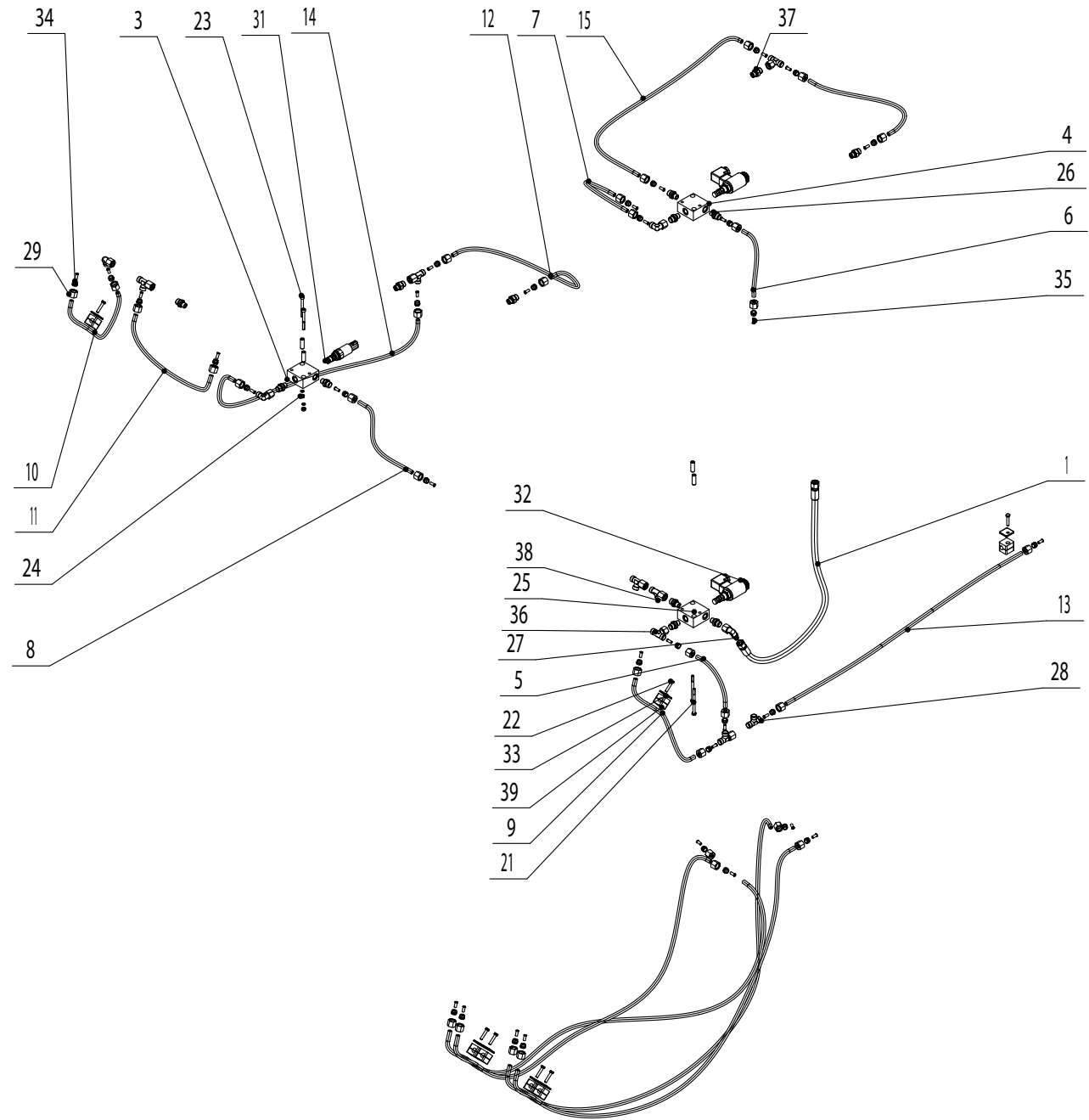
1	2	3	4	Name
1	20211001	2		WASHER
2	00171024	10		WASHER 16.3
3	01083031	1		HOSE 10x2x370
4	01083031	1		HOSE 10x2x370
5	01083031	1		HOSE 10x2x570
6	01083031	1		HOSE 10x2x570
7	01083031	1		HOSE 10x2x970
8	01083031	1		HOSE 10x2x970
9	01083031	2		HOSE 10x2x1000
10	01083031	2		HOSE 10x2x1000
11	01083031	2		HOSE 10x2x1020
12	01083031	2		HOSE 10x2x1020
13	07402013	6		SCREW M6x35
14	07081043	12		SOCKET
15	07081039	2		SOCKET
16	00081107	28		NUT
17	20211017	6		CLAMP
18	14102052	4		BINDER CABLE 200x4.8
19	11084044	1		REMOTE CONTROLLER
20	11084043	1		REMOTE CONTROLLER
21	07081015	6		SHEET
22	00081108	28		RING
23	00081109	28		INSERTION
24	11082002	10		SOCKET
25	01082030	8		SCREW M6x16
26	00020012	8		WASHER 6.4
27	00031055	8		WASHER 6



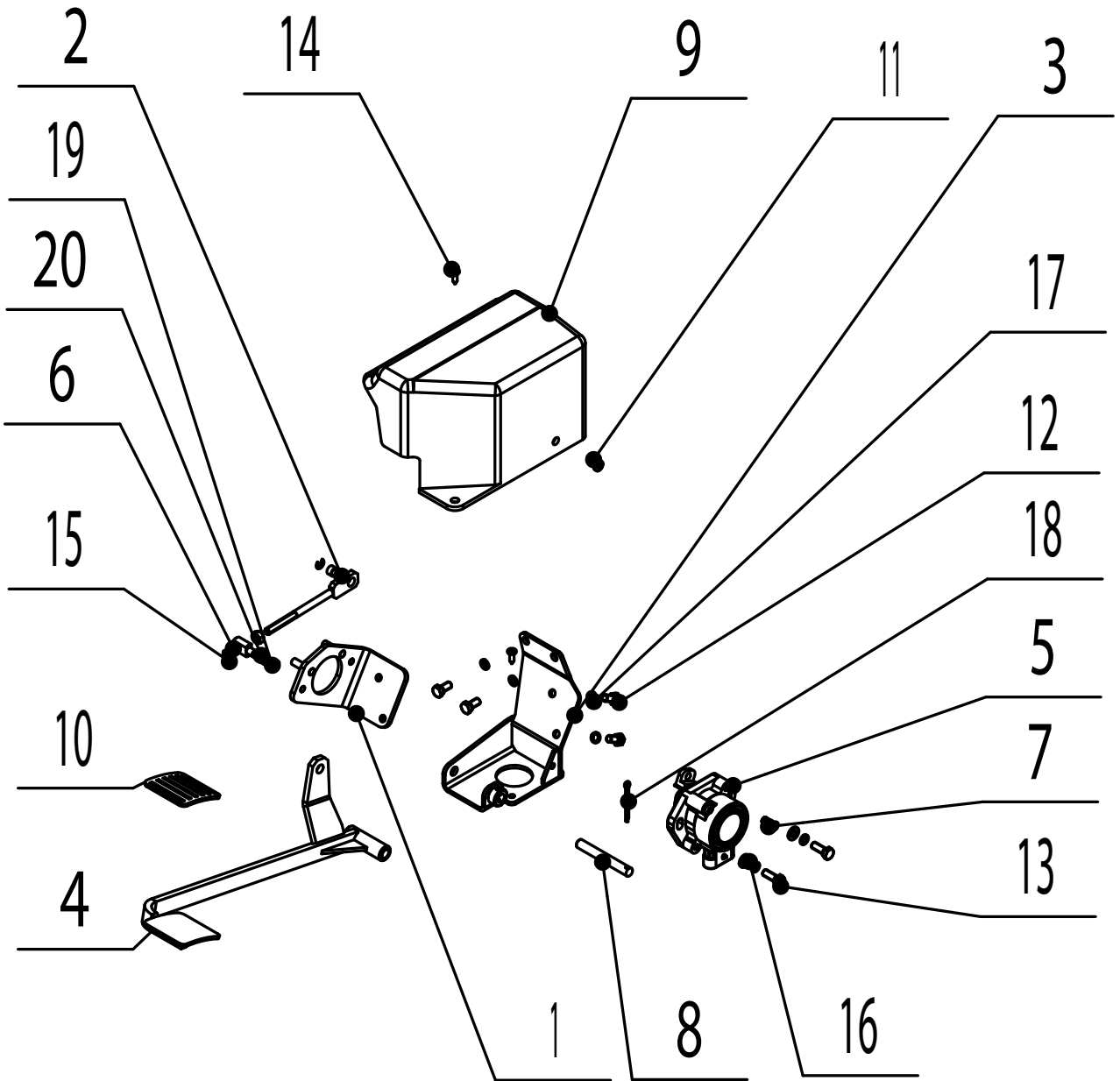
1	2	3	4	Name
1	20213002	2		SPACER POST 6.2x30
2	00082030	2		CUBE
3	01083031	2		HOSE 40 mm
4	01083031	1		HOSE 390 mm
5	01083031	1		HOSE 420 mm
6	01083031	1		HOSE 540 mm
7	01083031	1		HOSE 600 mm
8	01083031	1		HOSE 900 mm
9	01083031	1		HOSE 900 mm
10	01083031	1		HOSE 1020 mm
11	01083031	1		HOSE 1000 mm
12	01083031	1		HOSE 1100 mm
13	01083031	1		HOSE 1120 mm
14	01083031	4		HOSE 1500 mm
15	01083031	1		HOSE 2100 mm
16	07087050	2		SCREW M6x80
17	12066033	9		SCREW M6x30
18	07402013	3		SCREW M6x35
19	00031055	2		WASHER 6
20	07081043	10		SOCKET
21	07081040	15		SOCKET
22	07081039	4		SOCKET
23	00081107	34		NUT
24	20211017	3		CLAMP
25	14102052	10		BINDER CABLE 200x4.8
26	12081030	2		VALVE
27	08083050	2		DISTRIBUTOR
28	07081045	9		SHEET
29	07081015	3		SHEET
30	00081108	34		RING
31	00081109	34		INSERTION
32	07081044	9		CLAMP
33	21212033	1		SOCKET



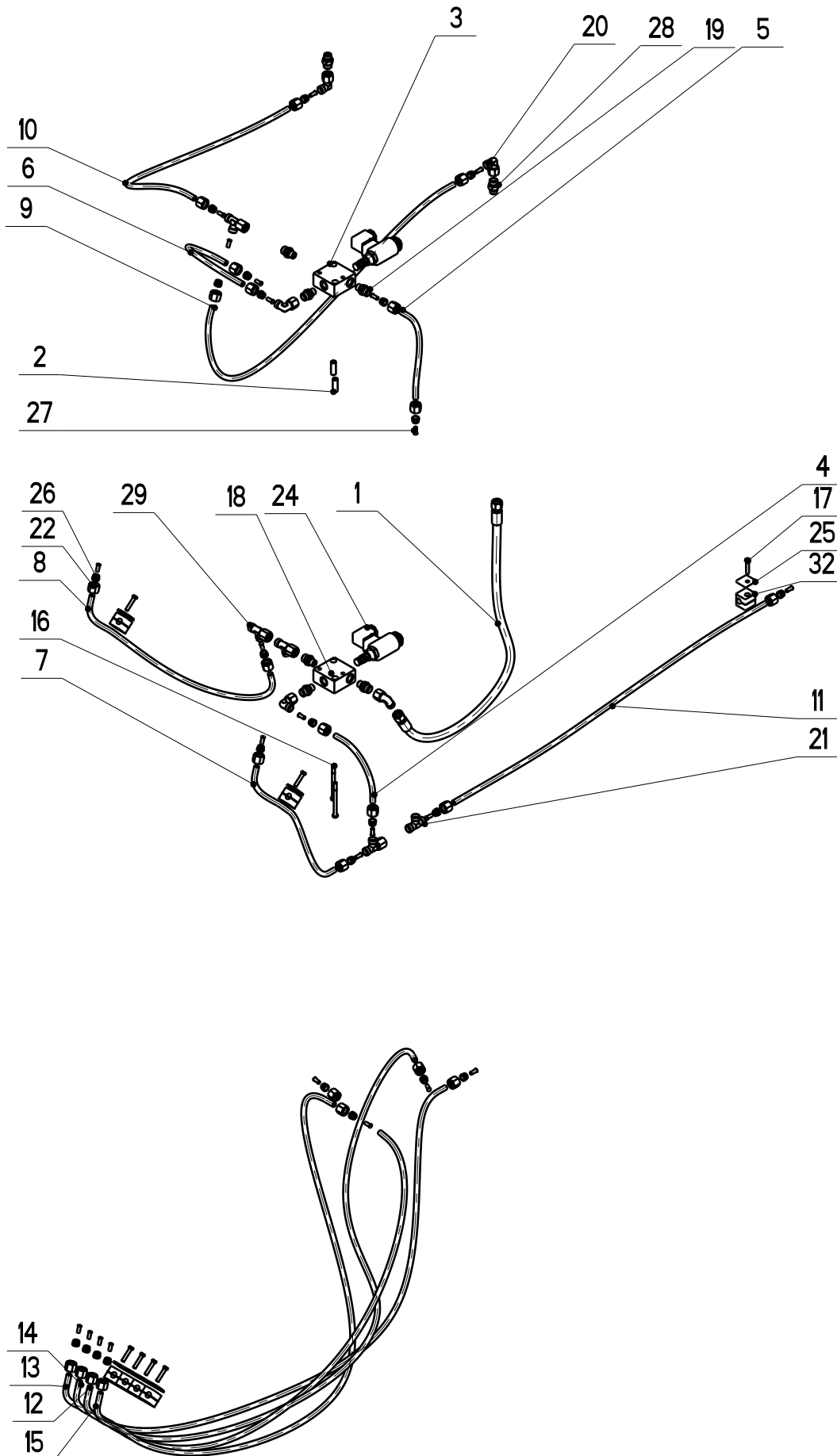
1	2	3	4	Name
1	07081097	1		HOSE
2	20213002	2		SPACER POST 6.2x30
3	00082030	2		CUBE
4	01083031	1		HOSE 200 mm
5	01083031	1		HOSE 250 mm
6	01083031	1		HOSE 400 mm
7	01083031	1		HOSE 360 mm
8	01083031	1		HOSE 600 mm
9	01083031	1		HOSE 860 mm
10	01083031	1		HOSE 910 mm
11	01083031	1		HOSE 1000 mm
12	01083031	1		HOSE 1980 mm
13	01083031	1		HOSE 1930 mm
14	01083031	1		HOSE 1900 mm
15	01083031	1		HOSE 1870 mm
16	07087050	2		SCREW M6x80
17	12066033	7		SCREW M6x30
18	00031055	2		WASHER 6
19	07081043	6		SOCKET
20	07081040	5		SOCKET
21	07081039	1		SOCKET
22	00081107	24		NUT
23	14102052	10		BINDER CABLE 200x4.8
24	08083050	2		DISTRIBUTOR
25	07081045	7		SHEET
26	00081108	24		RING
27	00081109	24		INSERTION
28	09081017	2		SOCKET
29	08081104	4		T-SOCKET
30	07081044	7		CLAMP
31	09065042	1.6		HOSE



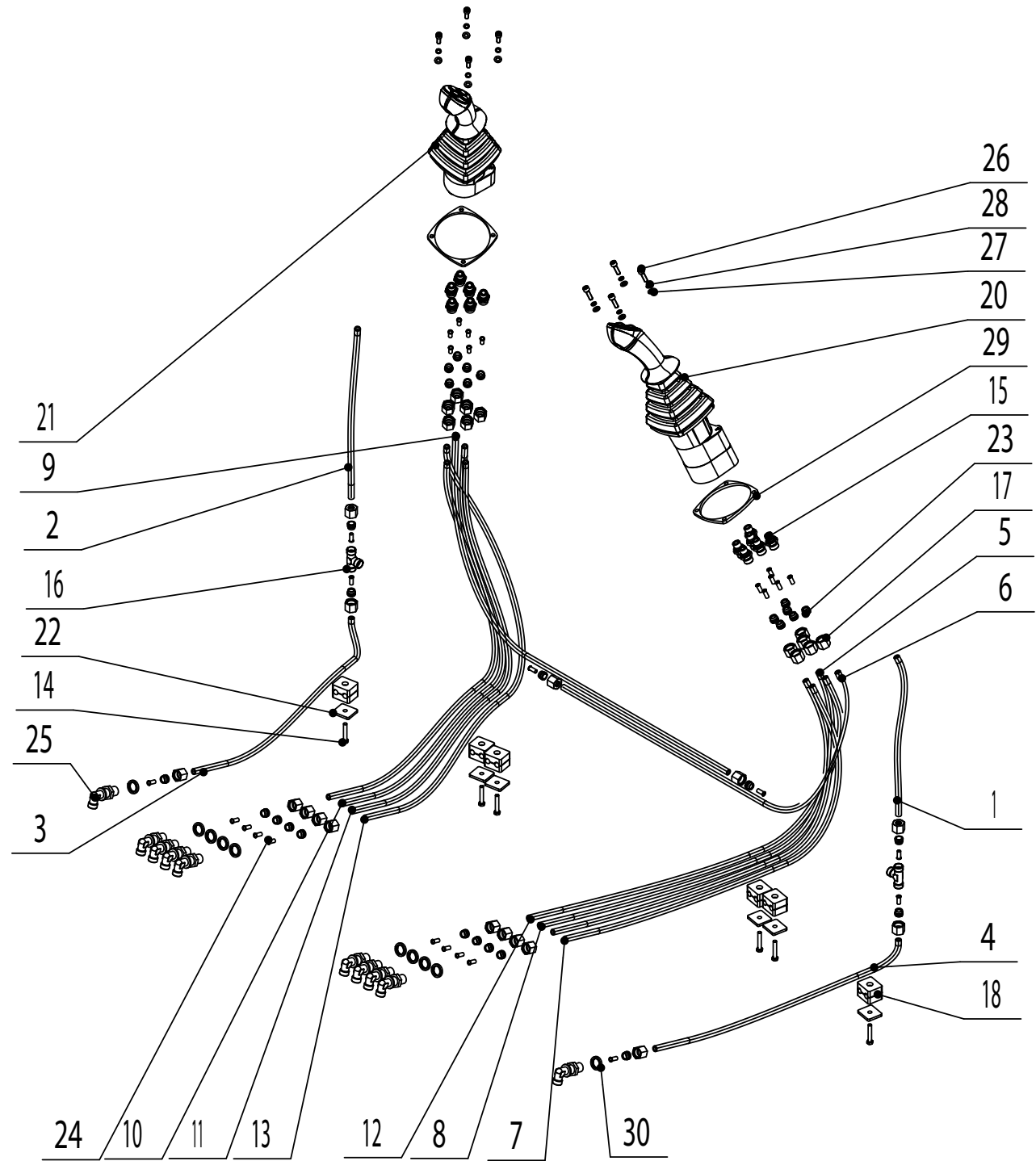
1	2	3	4	Name
1	07081097	1		HOSE 108x1300
2	20213002	4		SPACER POST 6.2x30
3	08081096	1		CUBE
4	00082030	2		CUBE
5	01083031	1		HOSE 200 mm
6	01083031	1		HOSE 250 mm
7	01083031	1		HOSE 400 mm
8	01083031	1		HOSE 500 mm
9	01083031	1		HOSE 360 mm
10	01083031	1		HOSE 400 mm
11	01083031	1		HOSE 400 mm
12	01083031	1		HOSE 600 mm
13	01083031	1		HOSE 1000 mm
14	01083031	1		HOSE 1000 mm
15	01083031	1		HOSE 1400 mm
16	01083031	1		HOSE 1780 mm
17	01083031	1		HOSE 1510 mm
18	01083031	1		HOSE 1690 mm
19	01083031	1		HOSE 1560 mm
20	09065042	1.6		HOSE SSK 40 /GS 5011/
21	07087050	2		SCREW M6x80
22	12066033	7		SCREW M6x30
23	09061034	2		SCREW M6x60
24	01083033	2		NUT M6
25	00031055	4		WASHER 6
26	07081043	9		SOCKET
27	07081040	4		SOCKET
28	07081039	1		SOCKET
29	00081107	32		NUT
30	14102052	10		BINDER CABLE 200x4.8
31	08081097	1		VALVE
32	08083050	2		DISTRIBUTOR
33	07081045	7		SHEET
34	00081108	32		RING
35	00081109	32		INSERTION
36	07081088	2		SOCKET
37	09081017	4		SOCKET
38	08081104	5		T-SOCKET
39	07081044	7		CLAMP



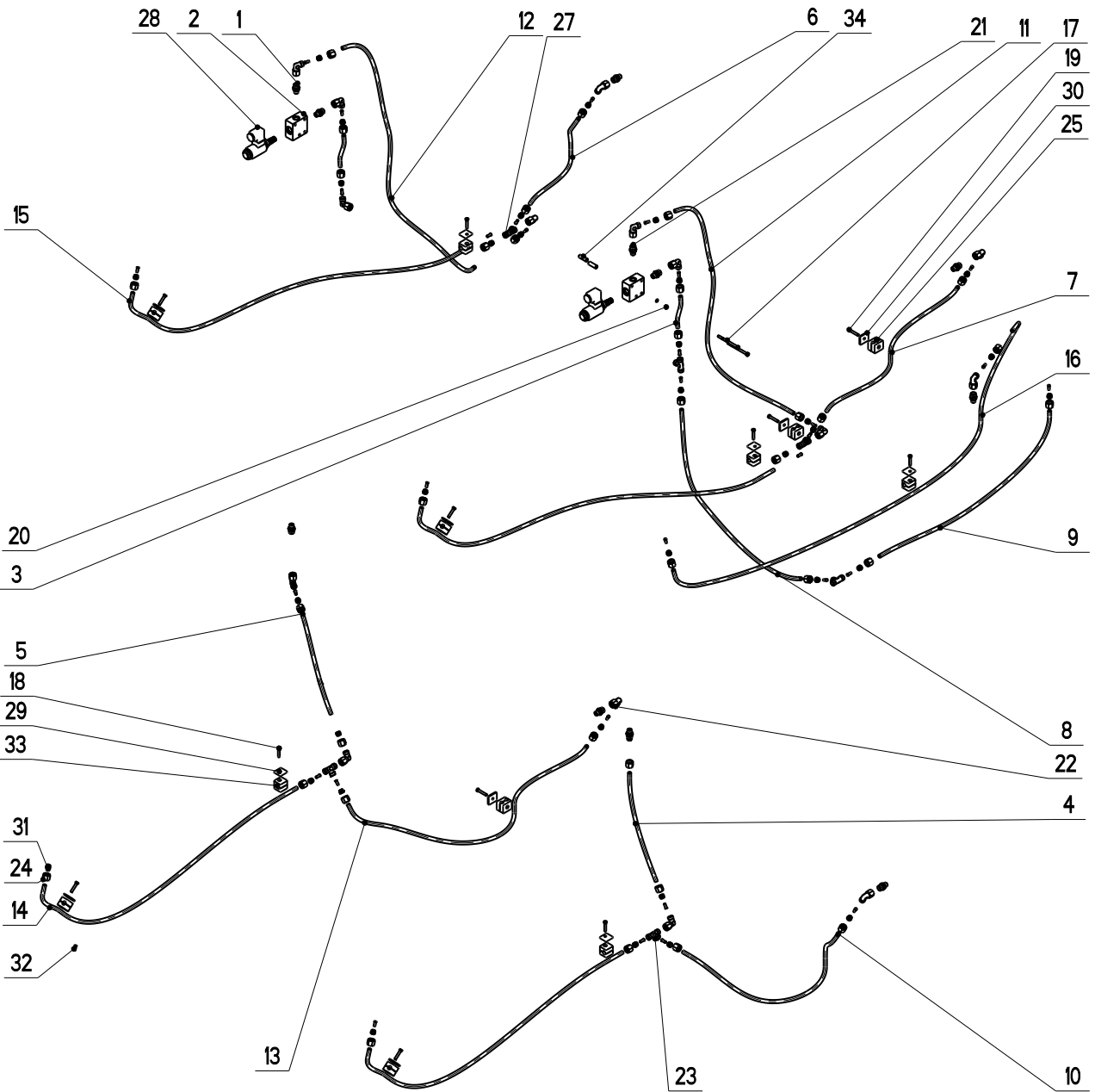
1	2	3	4	Name
1	20215001	1		CLAMP
2	20215002	1		BRACKET
3	20215003	1		FUEL LEVEL SENSING
4	20215004	1		BRACKET
5	20215005	1		PEDAL
6	12085007	1		PIN
7	12085059	1		PIN
8	12085008	1		PIN
9	20215009	1		COVER
10	00083026	1		RUBBER CAP
11	06331008	1		SCREW M5x10
12	06261026	4		SCREW M6x12
13	02121018	2		SCREW M6x16
14	07157019	2		SCREW M3.9x13
15	09101029	2		NUT M6
16	00020012	2		WASHER 6.4
17	00031055	6		WASHER 6
18	12085056	1		COTTER PIN 3.2x32
19	13151038	2		SEALING RING 4
20	12085010	2		BEARING



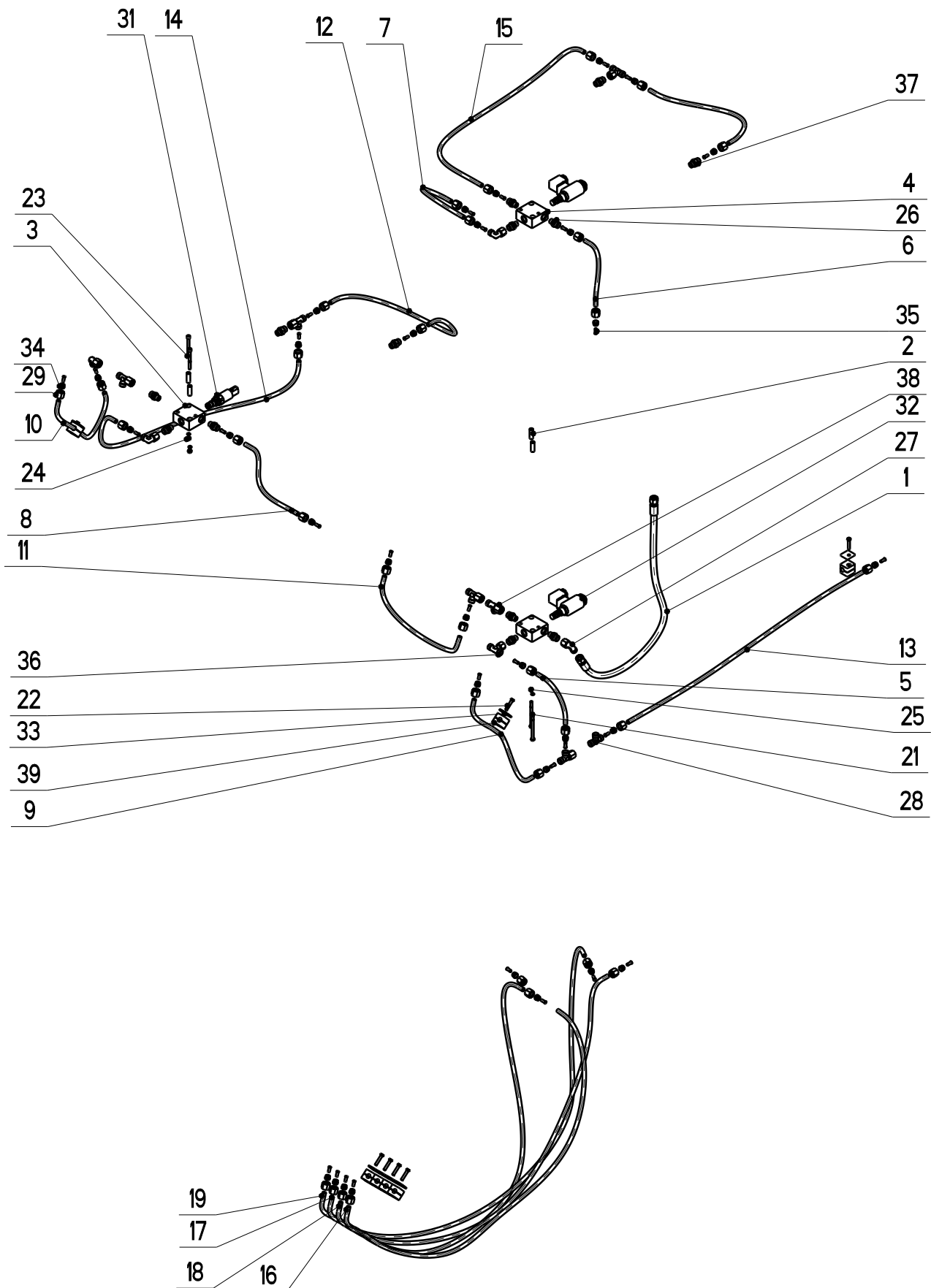
1	2	3	4	Name
1	07081097	1		HOSE
2	20213002	2		SPACER POST
3	21216003	2		CUBE
4	01083031	1		HOSE 10x2x200
5	01083031	1		HOSE 10x2x250
6	01083031	1		HOSE 10x2x400
7	01083031	1		HOSE 10x2x360
8	01083031	1		HOSE 10x2x600
9	01083031	1		HOSE 10x2x860
10	01083031	1		HOSE 10x2x910
11	01083031	1		HOSE 10x2x1590
12	01083031	1		HOSE 10x2x1410
13	01083031	1		HOSE 10x2x1930
14	01083031	1		HOSE 10x2x1870
15	01083031	1		HOSE 10x2x1000
16	07087050	2		SCREW M6x80
17	12066033	7		SCREW M6x30
18	00031055	2		WASHER 6
19	07081043	6		SOCKET
20	07081040	5		SOCKET
21	07081039	1		T-SOCKET
22	00081107	24		NUT UEM NW 08 L
23	14102052	10		CABLE BINDER 200X4.8
24	08083050	2		DISTRIBUTOR
25	07081045	7		SHEET
26	00081108	24		RING
27	00081109	24		INSERTION
28	09081017	2		SOCKET
29	08081104	4		T-SOCKET
30	07081044	7		CLAMP
31	09065042	1,6		HOSE



1	2	3	4	Name
1	01083031	1		HOSE 10x2x335
2	01083031	1		HOSE 10x2x370
3	01083031	1		HOSE 10x2x570
4	01083031	1		HOSE 10x2x570
5	01083031	1		HOSE 10x2x1000
6	01083031	1		HOSE 10x2x970
7	01083031	1		HOSE 10x2x1000
8	01083031	1		HOSE 10x2x1020
9	01083031	1		HOSE 10x2x970
10	01083031	2		HOSE 10x2x1000
11	01083031	1		HOSE 10x2x1020
12	01083031	1		HOSE 10x2x1020
13	01083031	1		HOSE 10x2x1020
14	07402013	6		SCREW M6x35
15	07081043	12		SOCKET
16	07081039	2		SOCKET
17	00081107	28		NUT
18	20211017	6		CLAMP
19	14102052	4		BINDER CABLE 200x4.8
20	07088034	1		LEFT REMOTE CONTROLLER
21	11084054	1		RIGHT REMOTE CONTROLLER
22	07081015	6		SHEET
23	00081108	28		RING
24	00081109	28		INSERTION
25	11082002	10		SOCKET
26	01215022	8		SCREW M6x20
27	00020012	8		WASHER 6.4
28	00031055	8		WASHER 6
29	20211001	2		WASHER
30	00171024	10		WASHER 16.3

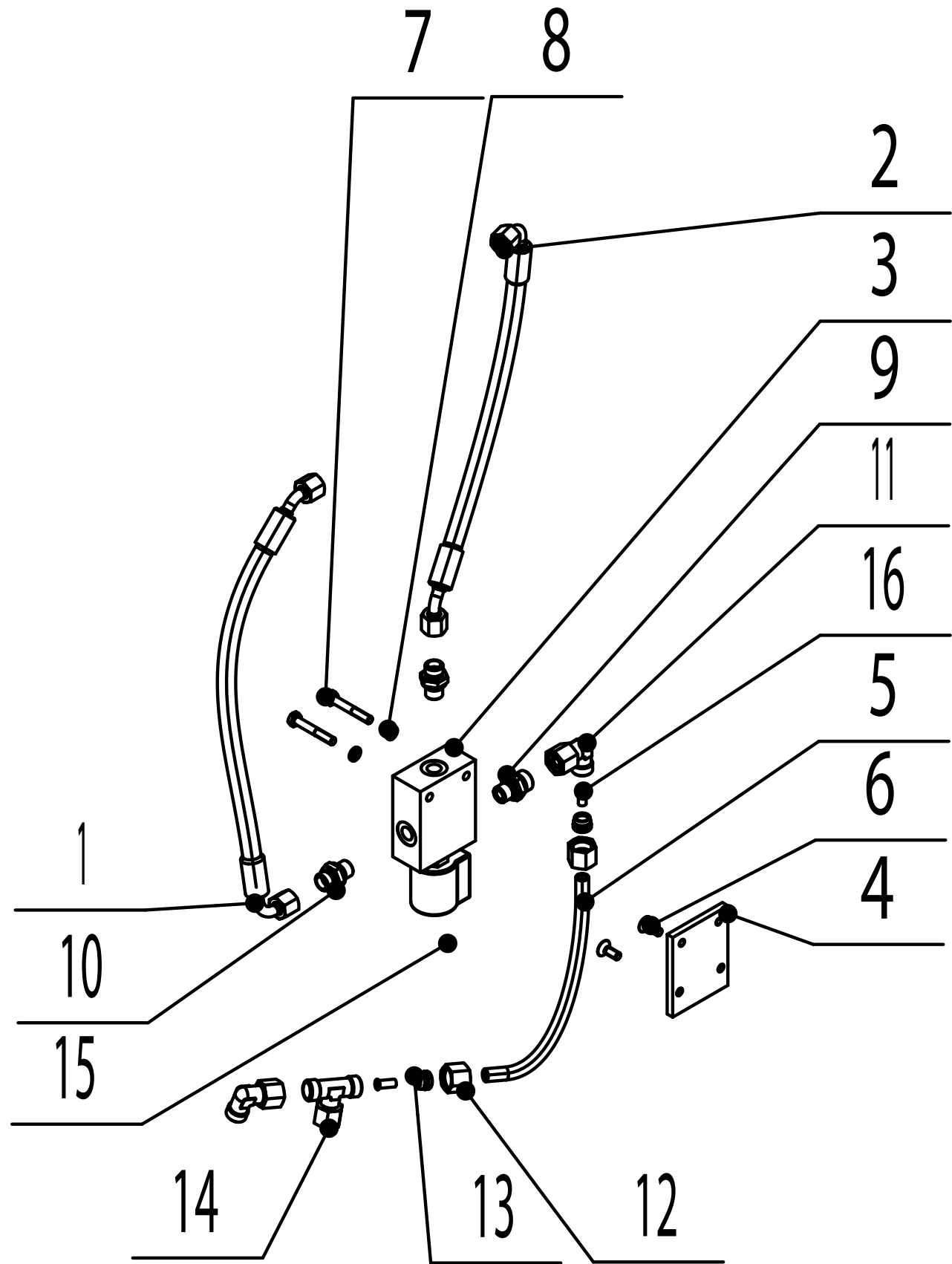


1	2	3	4	Name
1	21212033	1		SOCKET
2	21216003	2		CUBE
3	01083031	2		HOSE 10x2x40
4	01083031	1		HOSE 10x2x390
5	01083031	1		HOSE 10x2x420
6	01083031	1		HOSE 10x2x540
7	01083031	1		HOSE 10x2x600
8	01083031	1		HOSE 10x2x900
9	01083031	1		HOSE 10x2x900
10	01083031	1		HOSE 10x2x1020
11	01083031	1		HOSE 10x2x1000
12	01083031	1		HOSE 10x2x1100
13	01083031	1		HOSE 10x2x1120
14	01083031	2		HOSE 10x2x1500
15	01083031	2		HOSE 10x2x2000
16	01083031	1		HOSE 10x2x2100
17	07087050	2		SCREW M6x80
18	12066033	9		SCREW M6x30
19	07402013	3		SCREW M6x35
20	00031055	2		WASHER 6
21	07081043	10		SOCKET
22	07081040	15		SOCKET
23	07081039	4		T-SOCKET
24	00081107	34		NUT UEM NW 08 L
25	20211017	3		CLAMP
26	14102052	10		CABLE BINDER 200X4.8
27	12081030	2		VALVE
28	08083050	2		DISTRIBUTOR
29	07081045	9		SHEET
30	07081015	3		SHEET
31	00081108	34		RING
32	00081109	34		INSERTION
33	07081044	9		CLAMP
34	20213002	2		SPACER POST



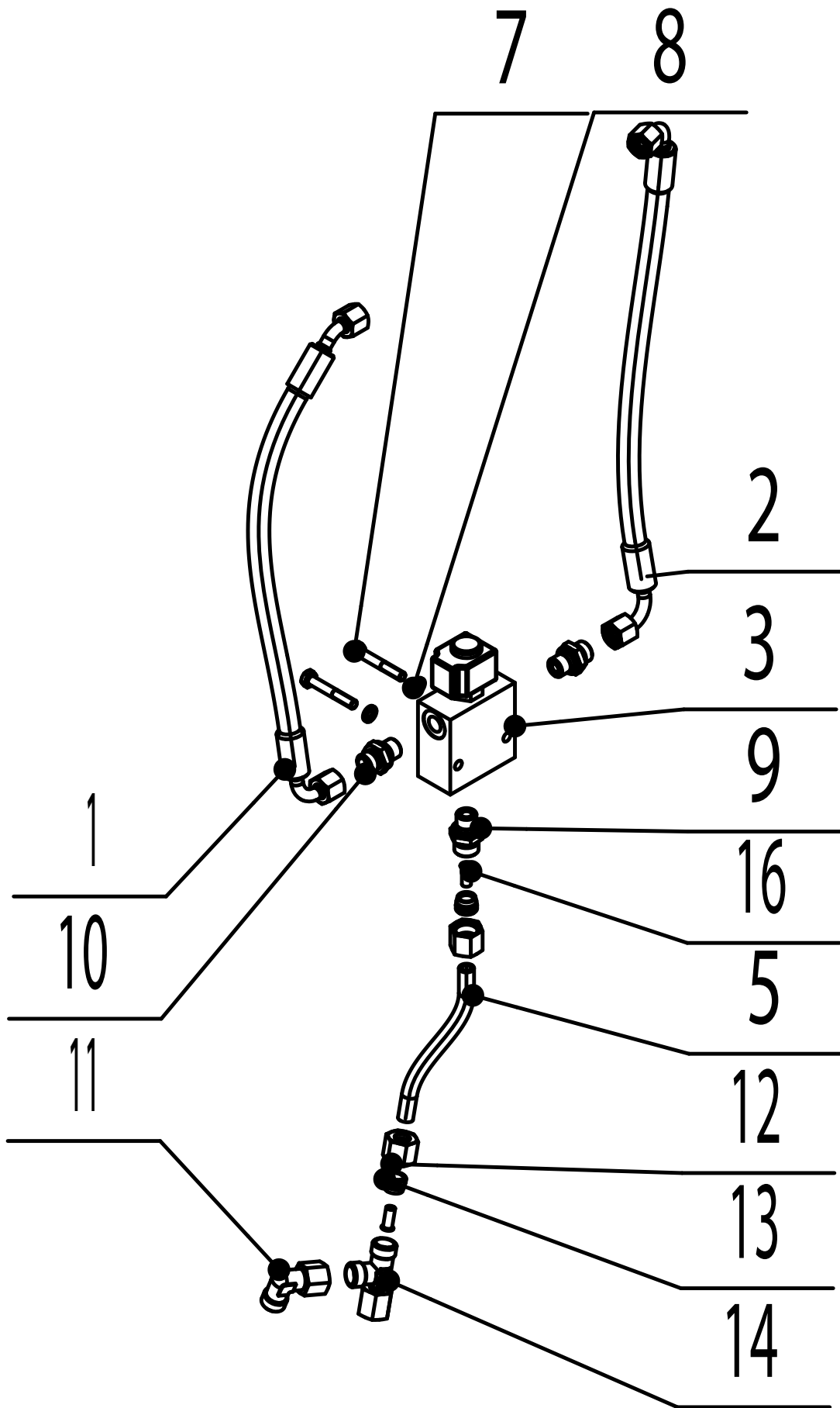
2-SPEED ONE HANDED CONTROL OF PUMPS**21.9**

1	2	3	4	Name
1	07081097	1		HOSE
2	20213002	4		SPACER POST
3	08081096	1		CUBE
4	21216003	2		CUBE
5	01083031	1		HOSE 10x2x200
6	01083031	1		HOSE 10x2x250
7	01083031	1		HOSE 10x2x400
8	01083031	1		HOSE 10x2x500
9	01083031	1		HOSE 10x2x360
10	01083031	2		HOSE 10x2x400
11	01083031	1		HOSE 10x2x400
13	01083031	1		HOSE 10x2x1400
14	01083031	1		HOSE 10x2x1000
15	01083031	1		HOSE 10x2x600
16	01083031	1		HOSE 10x2x1590
17	01083031	1		HOSE 10x2x1780
18	01083031	1		HOSE 10x2x1410
19	01083031	1		HOSE 10x2x1560
20	01083031	1		HOSE 10x2x1000
21	07087050	2		SCREW M6x80
22	12066033	7		SCREW M6x30
23	09061034	2		SCREW M6x60
24	01083033	2		NUT M6
25	00031055	4		WASHER 6
26	07081043	9		SOCKET
27	07081040	4		SOCKET
28	07081039	1		T-SOCKET
29	00081107	32		NUT UEM NW 08 L
30	14102052	10		CABLE BINDER 200X4.8
31	08081097	1		VALVE
32	08083050	2		DISTRIBUTOR
33	07081045	7		SHEET
34	00081108	32		RING
35	00081109	32		INSERTION
36	07081088	2		T-SOCKET
37	09081017	4		SOCKET
38	08081104	5		T-SOCKET
39	07081044	7		CLAMP
40	09065042	1,6		HOSE



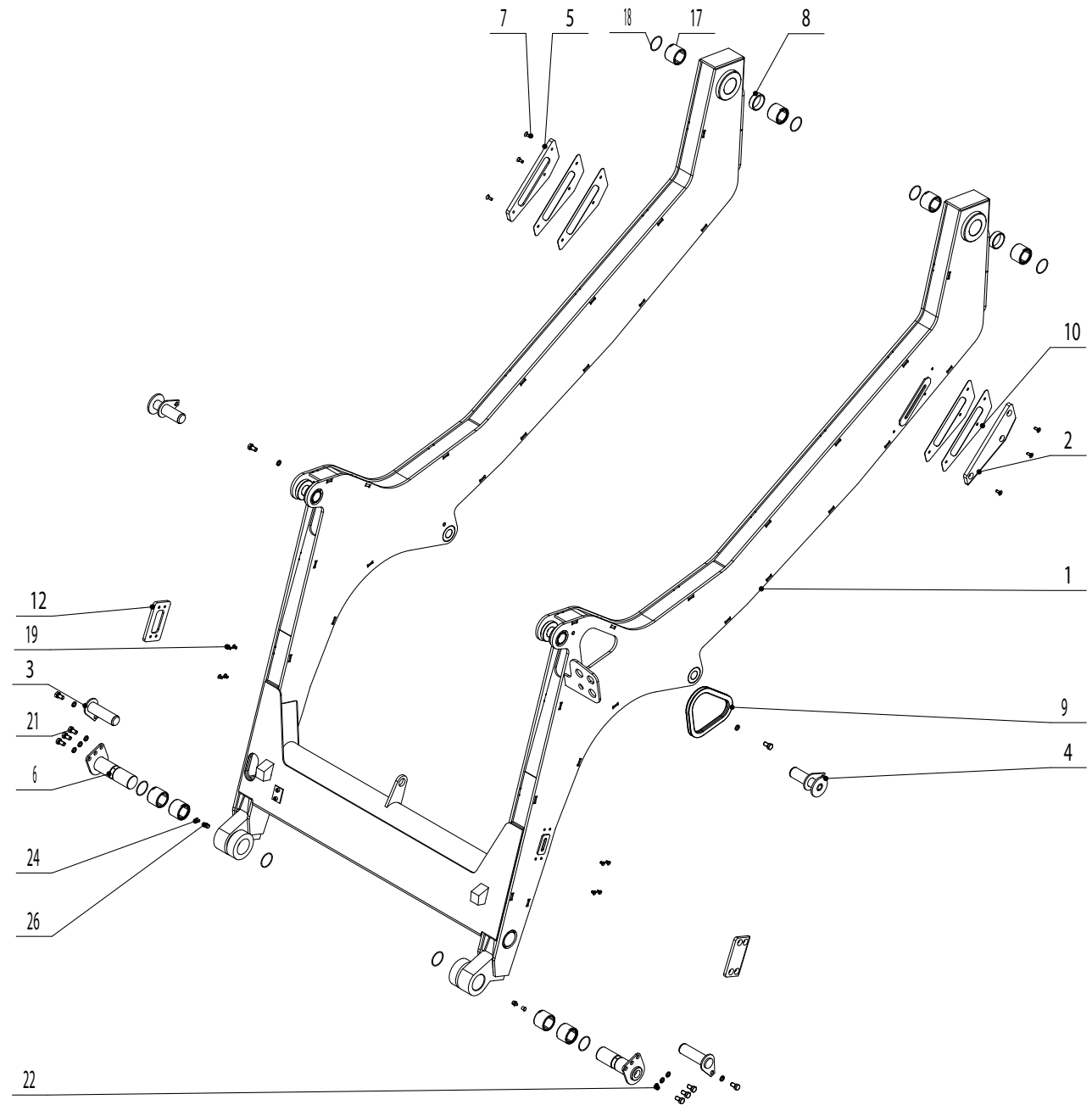
AUXILIARY ATTACHMENT PRESSURE RELIEF**22.1**

1	2	3	4	Name
1	11062015	1		HOSE
2	21221002	1		HOSE
3	21221003	1		CUBE OF PRESSURE RELIEF
4	21221004	1		WASHER
5	01083031	0.23		HOSE
6	20251007	2		SCREW M6x16
7	02086021	2		SCREW M6x40
8	00176005	2		WASHER 6
9	07081043	1		SOCKET
10	07062034	2		SOCKET
11	07081040	2		SOCKET
12	00081107	2		NUT
13	00081108	2		RING
14	07081088	1		SOCKET
15	21221015	1		SCREW M4x5
16	00081109	2		INSERTION



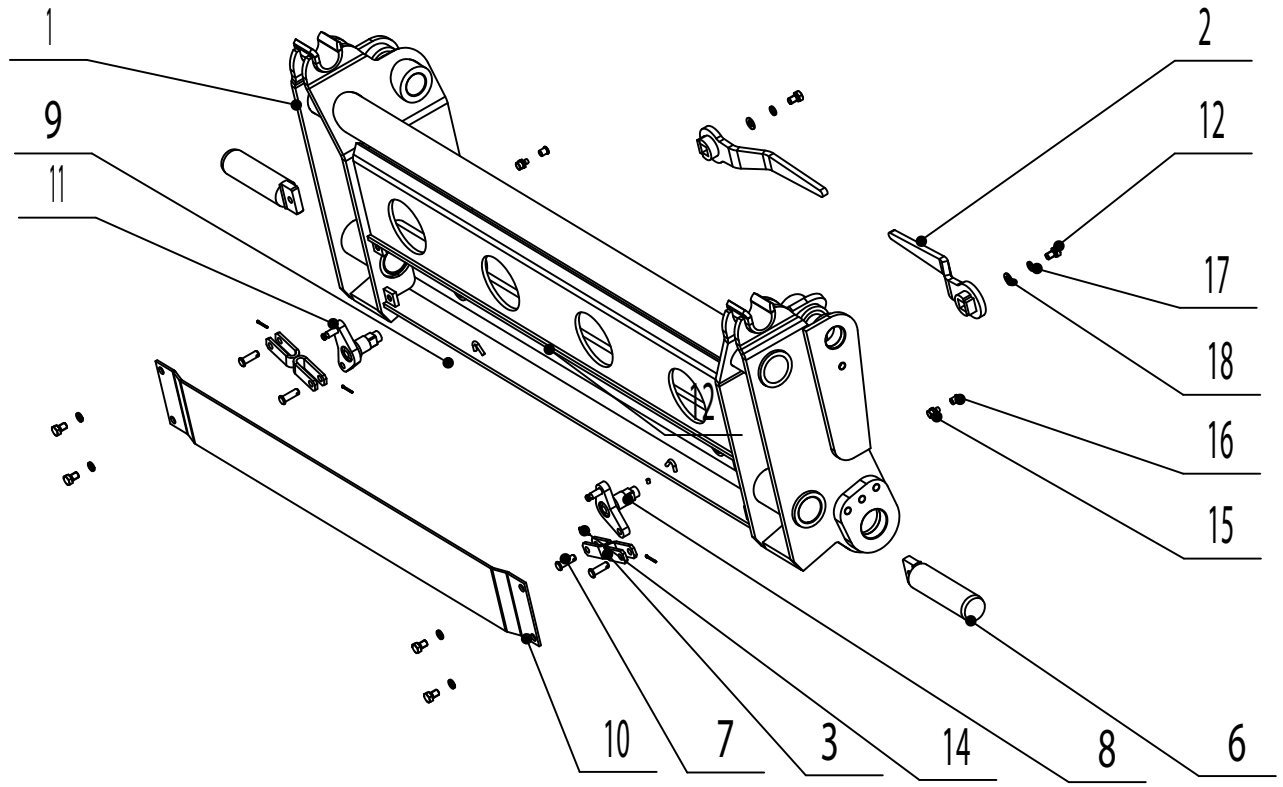
AUXILIARY ATTACHMENT PRESSURE RELIEF 2**22.2**

1	2	3	4	Name
1	11062015	1		HOSE
2	21222002	1		HOSE
3	12062086	1		VALVE
5	01083031	0.18		HOSE
7	02086021	2		SCREW M6x40
8	00176005	2		WASHER 6
9	07081043	1		SOCKET
10	07062034	2		SOCKET
11	07081040	1		SOCKET
12	00081107	2		NUT
13	00081108	2		RING
14	08081104	1		T-SOCKET
16	00081109	2		INSERTION



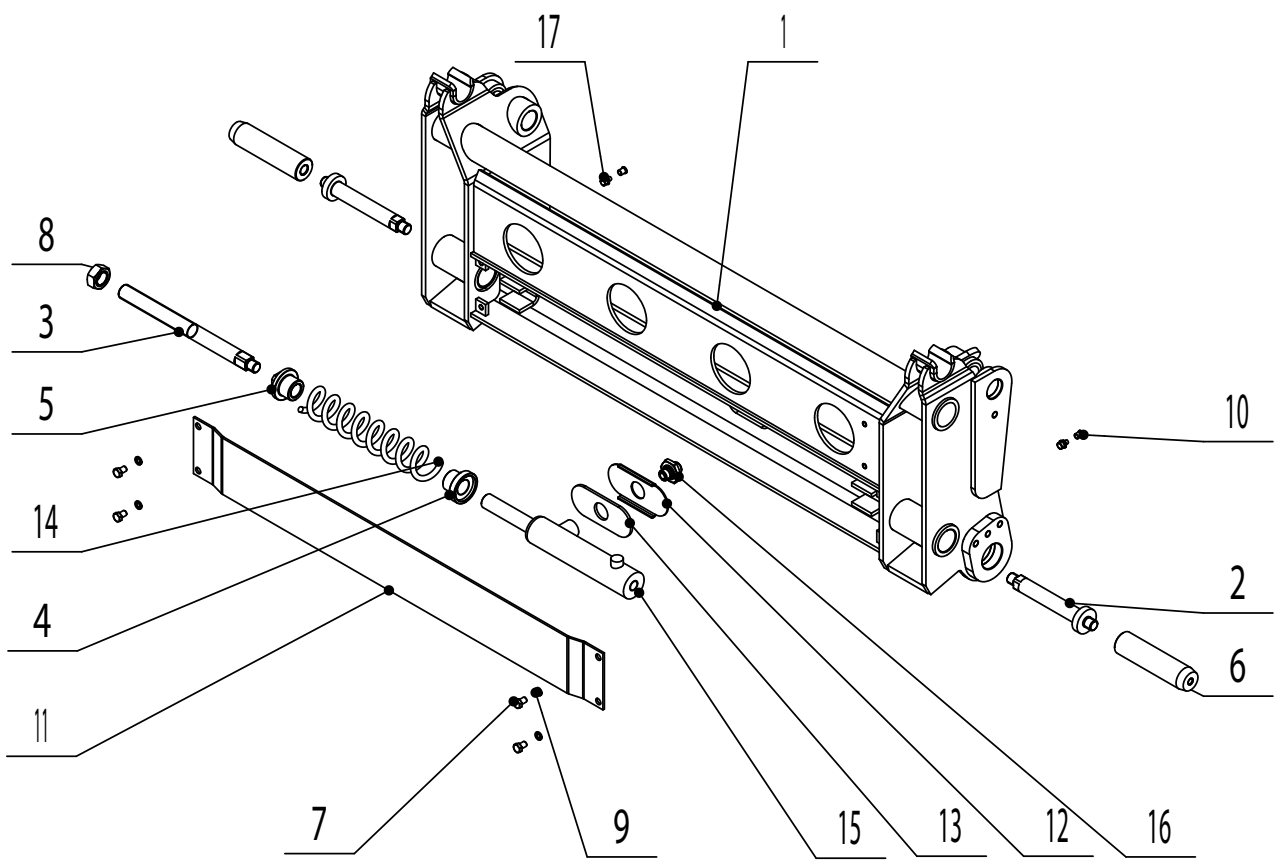
BOOM ASSEMBLY**25.1**

1	2	3	4	Name
1	20251001	1		BOOM
2	20251002	1		LEFT REAR BUFFER
3	11091041	2		PIN
4	12091056	2		PIN
5	20251005	1		RIGHT REAR BUFFER
6	08090060	2		PIN
7	20251007	6		SCREW M6x16
8	20251008	2		RING
9	20251009	1		FACING
10	20251010	4		WASHER
12	11091038	2		BUFFER
17	20251017	8		BUSHING
18	00091026	8		SEALING RING 40x2
19	00174090	8		SCREW M6x10
21	11091019	10		SCREW M10x18
22	00020029	10		WASHER 10.2
24	00090023	2		HEAD CAP
26	00090024	2		LUBRICANT HEAD



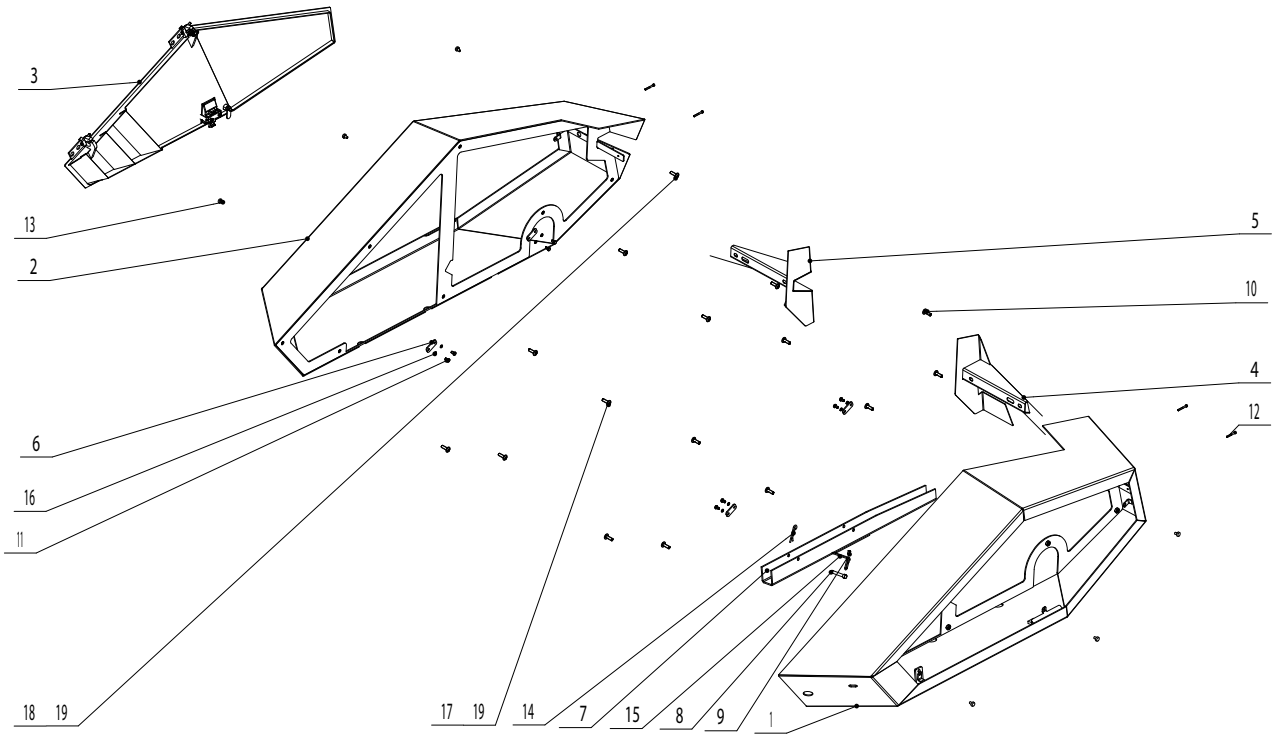
SPEED CLAMPING DEVICE**25.2**

1	2	3	4	Name
1	11092018	1		FRAME OF SPEED CLAMPING DEVICE
2	00091007	2		LEVER
3	00092045	2		DRAWBAR
6	00091004	2		PIN
7	00091008	4		PIN
8	00092047	1		PIN
9	00092048	2		SPRING
10	00091010	1		COVER
11	00092046	1		PIN
12	00091019	6		SCREW M8x12
14	00081065	4		COTTER PIN 2x20
15	00090024	2		LUBRICANT HEAD
16	00090023	2		HEAD CAP
17	00020019	6		WASHER 8.2
18	00020018	2		WASHER 8.4



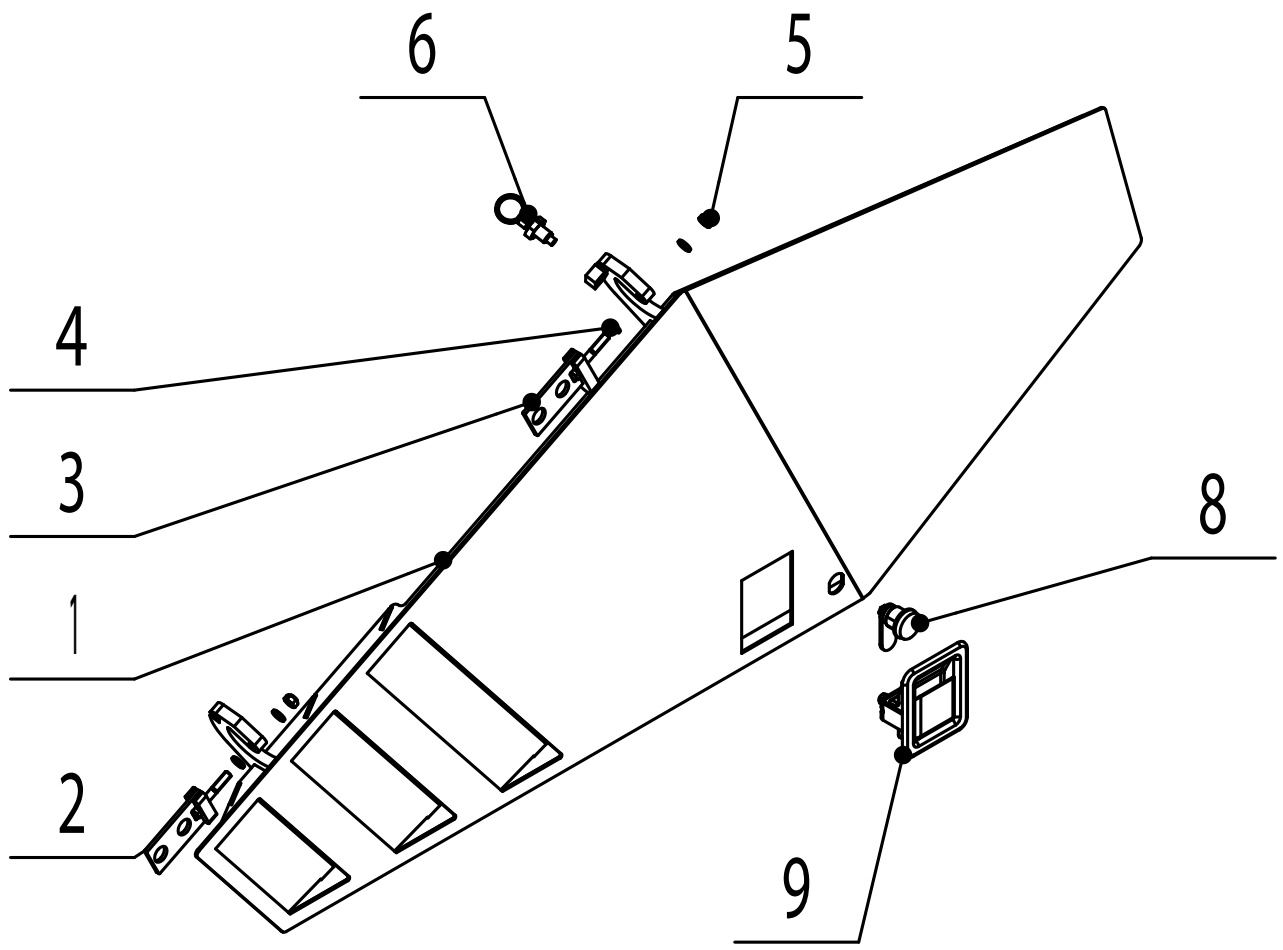
HYDRAULIC SPEED CLAMPING DEVICE**25.3**

1	2	3	4	Name
1	20253001	1		FRAME OF SPEED CLAMPING DEVICE
2	20253002	2		STOP
3	20253003	1		STOP
4	20253004	1		WASHER
5	20253005	1		WASHER
6	20253006	2		PIN
7	00091019	4		SCREW M8x12
8	14093008	1		NUT M22
9	00020019	4		WASHER 8.2
10	00090023	2		HEAD CAP
11	00091010	1		COVER
12	20253012	1		SHEET
13	20253013	1		FELT
14	14093013	1		SPRING
15	14093014	1		CYLINDER WITH COVER
16	20253016	1		SOCKET
17	00090024	2		LUBRICANT HEAD



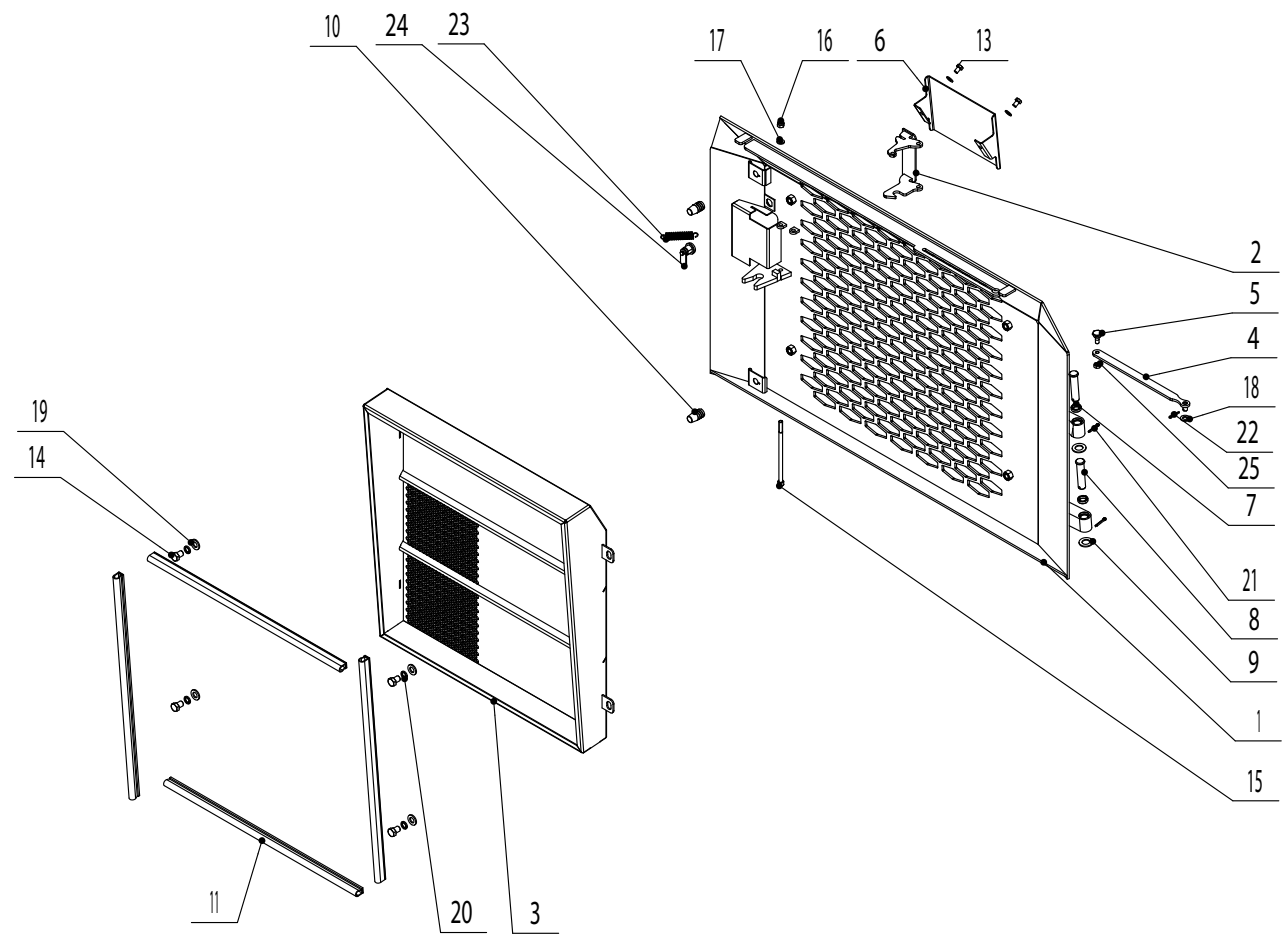
SIDE BOX ASSEMBLY**30.1**

1	2	3	4	Name
1	20301001	1		LEFT COVER
2	20301002	1		RIGHT COVER
3	20301003	1		RIGHT DOOR ASSEMBLY
4	20301004	1		LEFT LIGHT SHEET
5	20301005	1		RIGHT LIGHT SHEET
6	20301006	4		WASHER
7	11091032	1		STRUT
8	11091035	1		PIN
9	00120041	1		PIPE
10	20301010	10		SCREW M8x25
11	01121021	8		SCREW M6x10
12	20301012	4		SCREW M4x35
13	20301013	6		STOP
14	10023013	1		COTTER PIN
15	15121016	0.2		CONDUCTOR
16	00031055	8		WASHER 6
17	07172007	2		SCREW M8x25
18	11064028	4		SCREW M8x25
19	00020018	6		WASHER 8.4



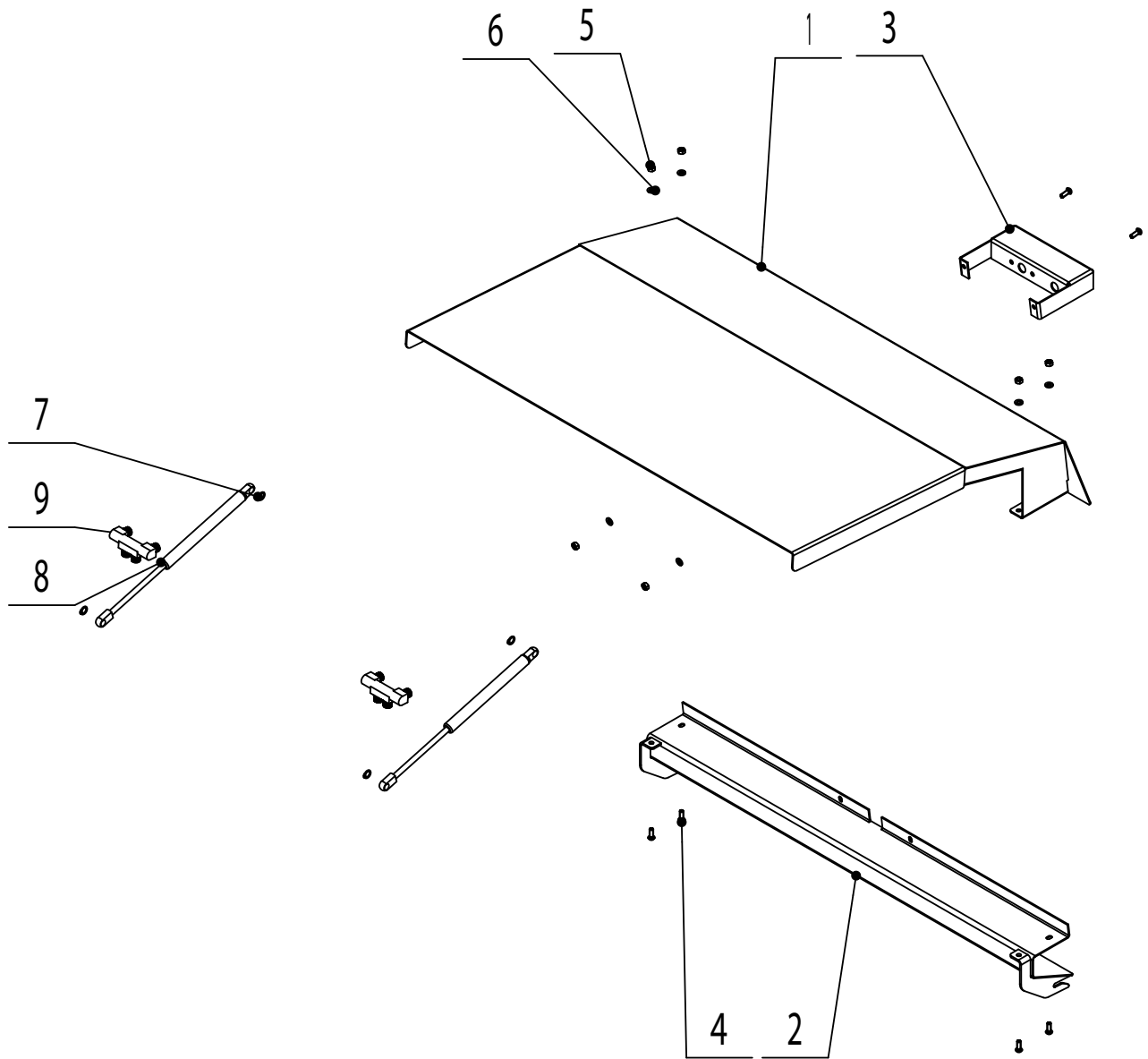
LEFT DOOR ASSEMBLY**30.2**

1	2	3	4	Name
1	20302001	1		WELDED LEFT DOOR
2	20302002	1		LOWER JOINT
3	20302003	1		UPPER JOINT
4	00020012	4		WASHER 6.4
5	09101029	2		NUT M6
6	20302006	1		PIN WITH SPRING M10
8	20302008	1		LOCK
9	20302009	1		HANDLE



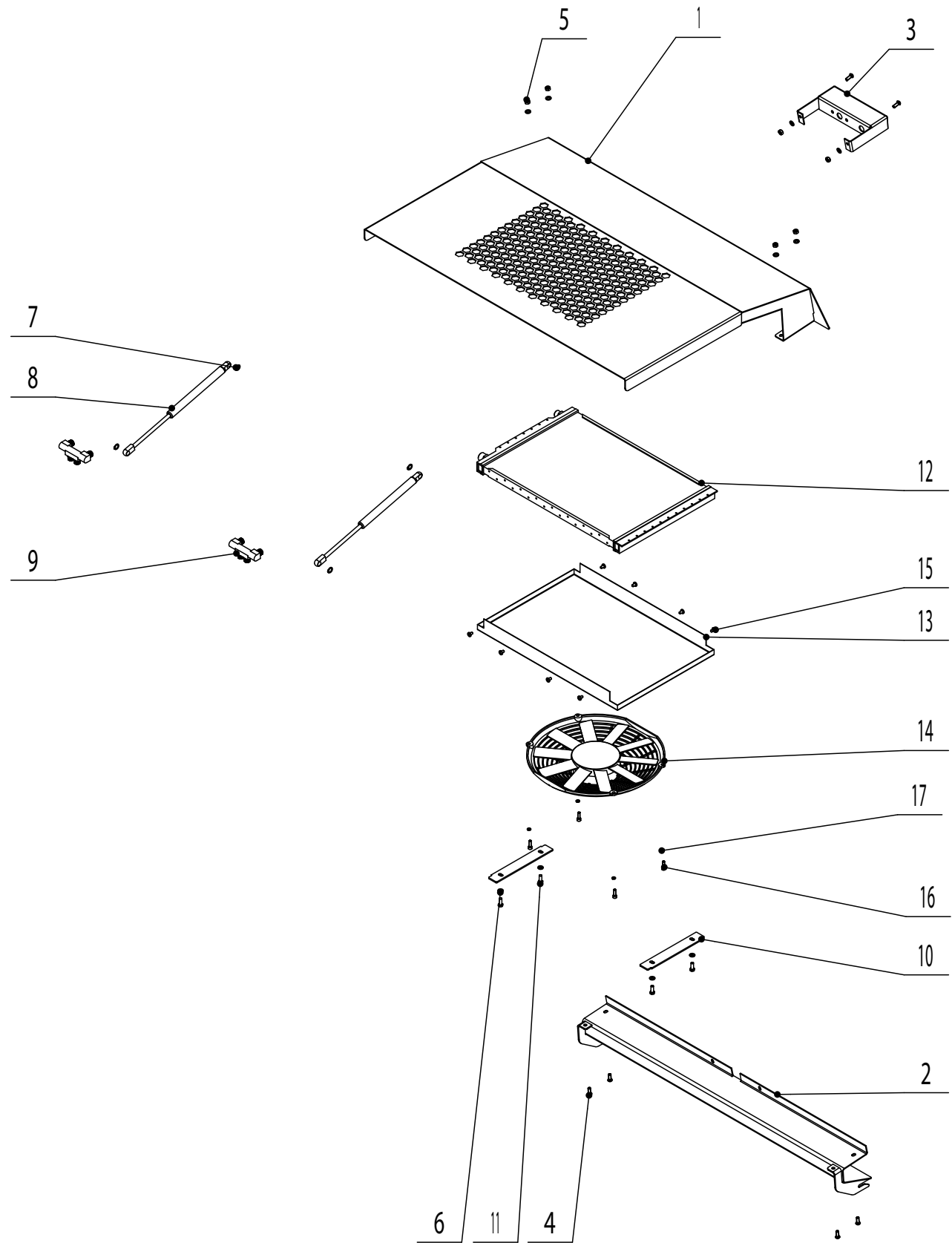
REAR DOOR ASSEMBLY**30.3**

1	2	3	4	Name
1	20303001	1		WELDED REAR DOOR
2	20303002	1		HANDLE
3	21303003	1		TUBE
4	20303004	1		SAFETY BAR
5	20303005	1		SAFETY PIN
6	20303006	1		BRACKET
8	07120009	2		PIN
9	11020010	2		WASHER
10	08120013	2		STOP
11	01155013	2.41		SEALING
13	00091019	2		SCREW M8x12
14	06087055	4		SCREW M12x16
15	20303015	1		SCREW M8x160
16	10011038	1		NUT M8
17	00020018	3		WASHER 8
18	00083021	1		WASHER 10.5
19	00031054	4		WASHER 13
20	00031052	4		WASHER 12
21	07120032	2		COTTER PIN 4x22
22	00120019	1		COTTER PIN 3.2x20
23	00084017	1		SPRING
24	20302008	1		LOCK
25	01061006	1		NUT M8



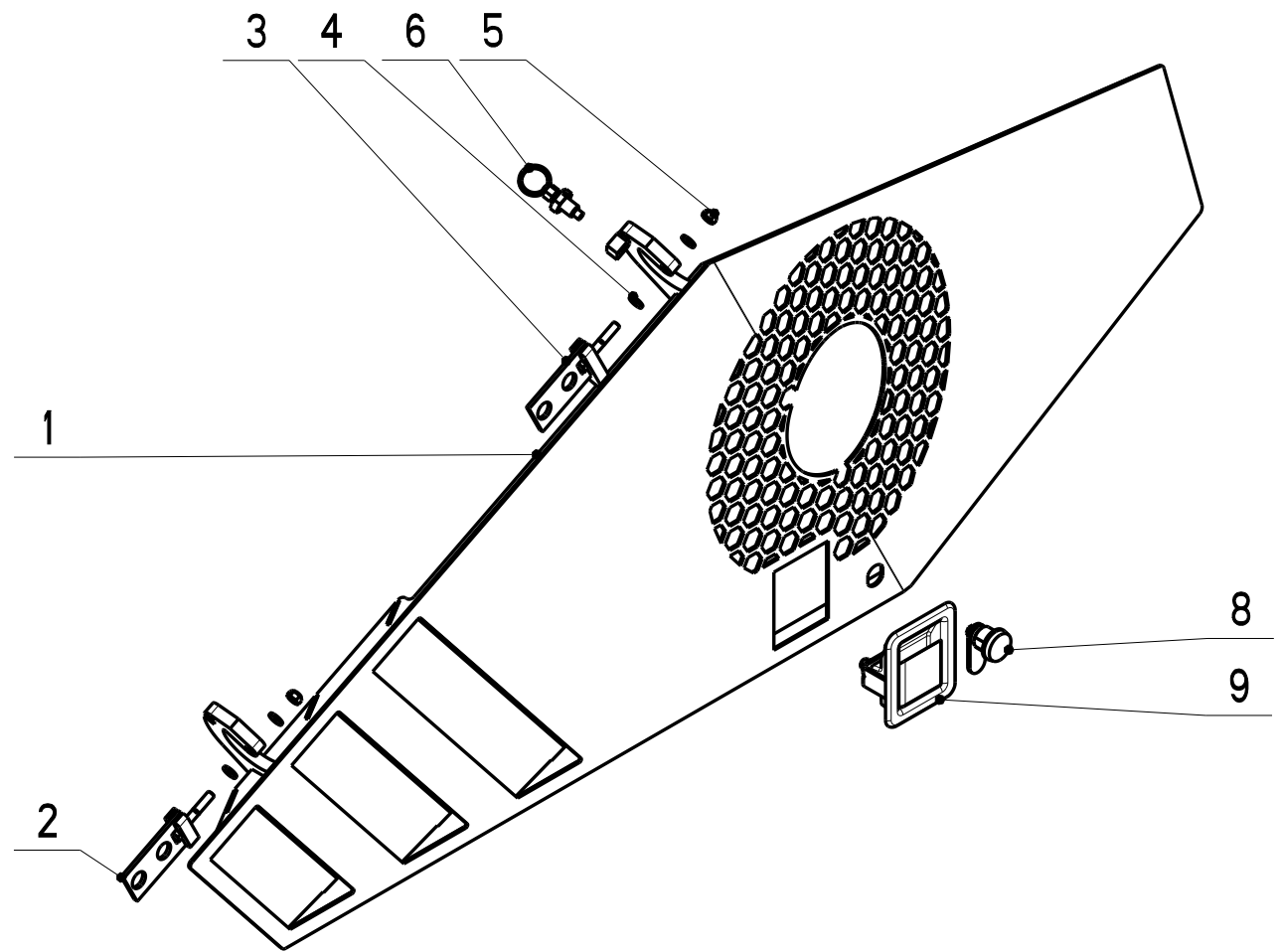
FLIP-OUT COVER ASSEMBLY**30.4**

1	2	3	4	Name
1	20304001	1		WELDED FLIP-OUT COVER
2	20304002	1		LOWER SHEET OF COVER
3	20304003	1		BRACKET OF LICENSE PLATE LIGHTING
4	07033047	6		SCREW M6x16
5	01083033	6		NUT M6
6	00020012	6		WASHER 6.4
7	00020020	4		SAFETY RING 10
8	20304008	2		STRUT
9	20304009	2		JOINT



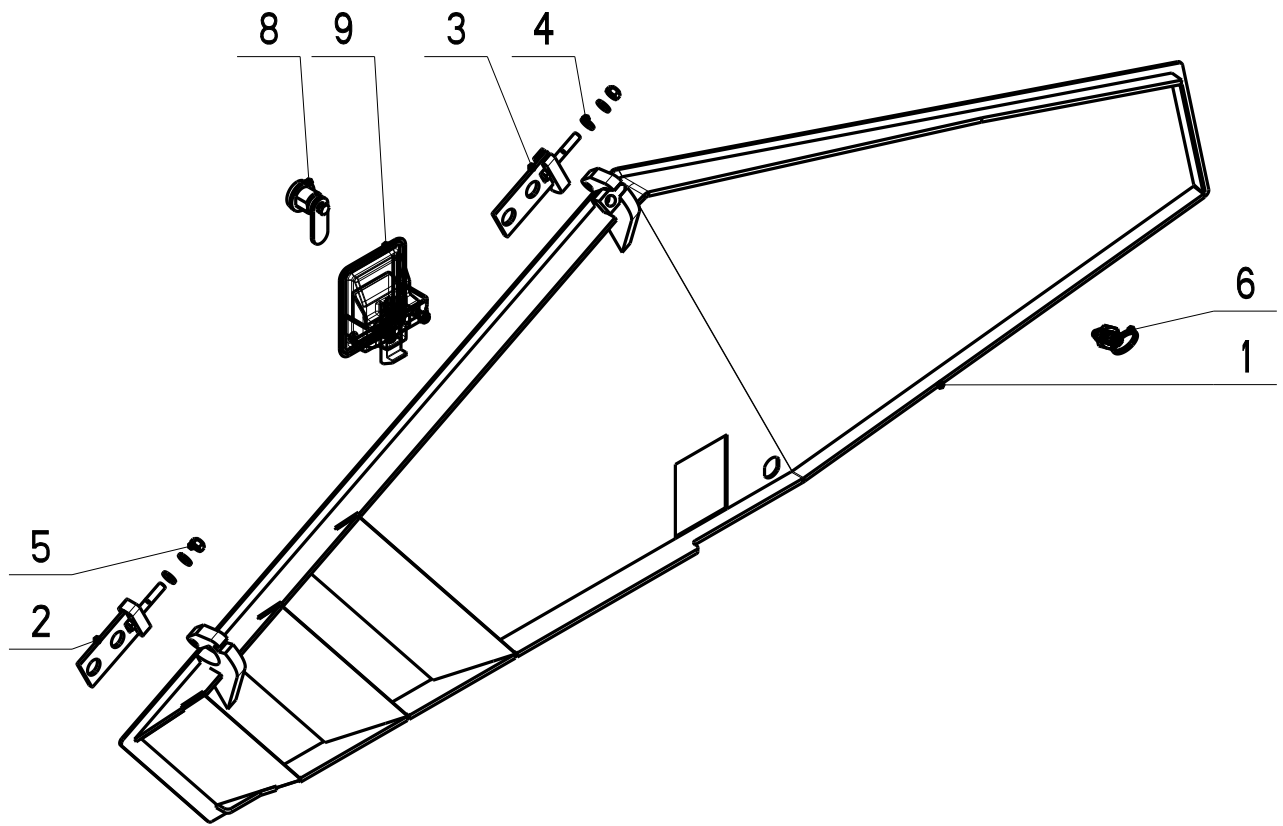
FLIP-OUT COVER WITH VENTILATOR ASSEMBLY**30.5**

1	2	3	4	Name
1	20305001	1		WELDED FLIP-OUT COVER
2	20304002	1		LOWER SHEET OF COVER
3	20304003	1		BRACKET OF LICENSE PLATE LIGHTING
4	07033047	6		SCREW M6x16
5	01083033	6		NUT M6
6	00020012	10		WASHER 6.4
7	00020020	4		RING 10
8	20305008	2		STRUT
9	20304009	2		JOINT
10	20305010	2		COOLER BRACKET
11	02121018	4		SCREW M6x16
12	20305012	1		COOLER
13	20305013	1		TUBE
14	20305014	1		VENTILATOR
15	20305015	8		SCREW ST4.8x9.5
16	20305016	4		SCREW M5x16
17	00081064	4		WASHER 5.1



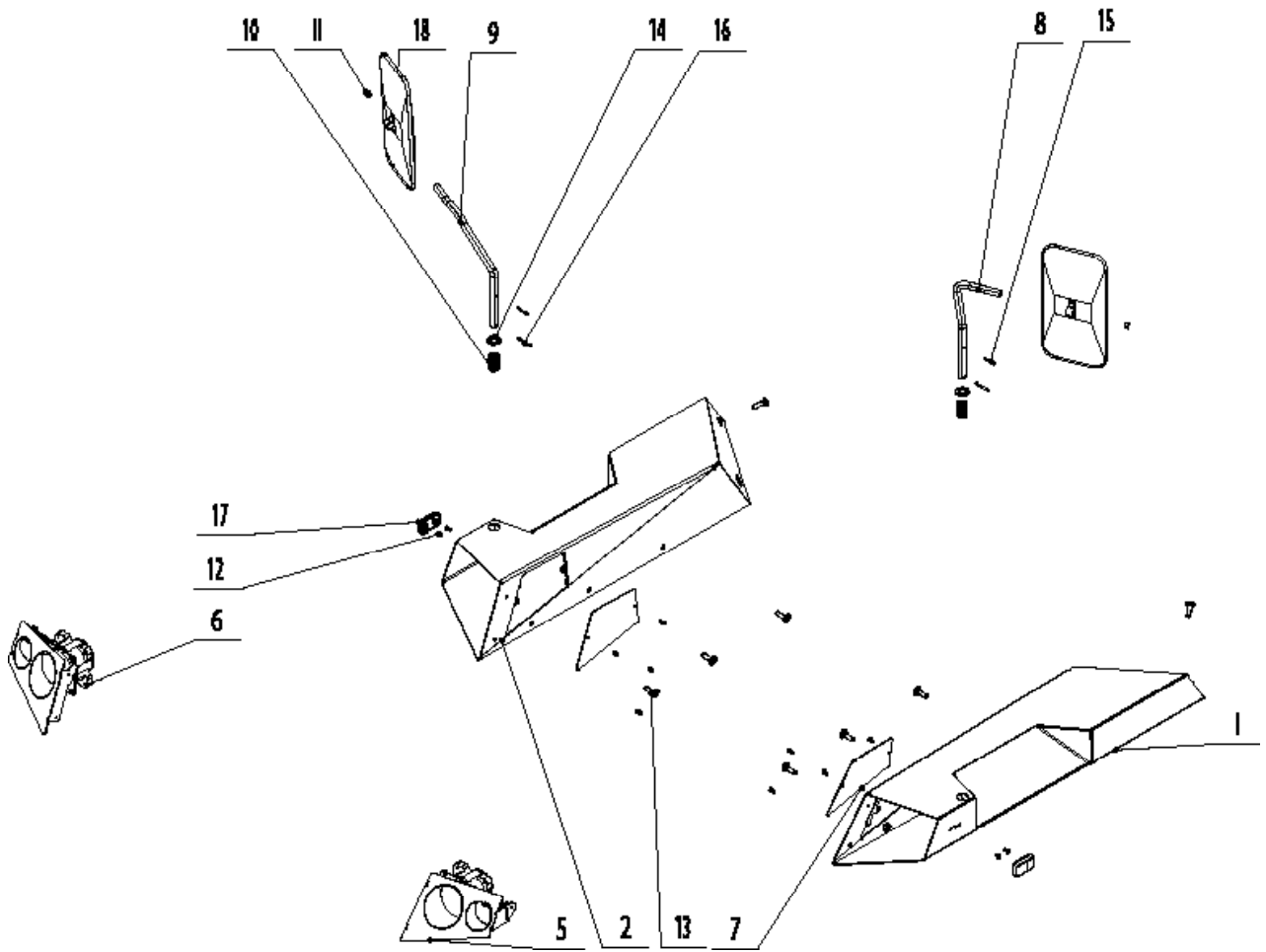
LEFT DOOR 2 ASSEMBLY**30.6**

1	2	3	4	Name
1	20306001	1		WELDED LEFT DOOR
2	20302002	1		LOWER JOINT
3	20302003	1		UPPER JOINT
4	00020012	4		WASHER 6.4
5	09101029	2		NUT M6
6	20302006	1		PIN WITH SPRING M10
8	20302008	1		LOCK
9	20302009	1		HANDLE



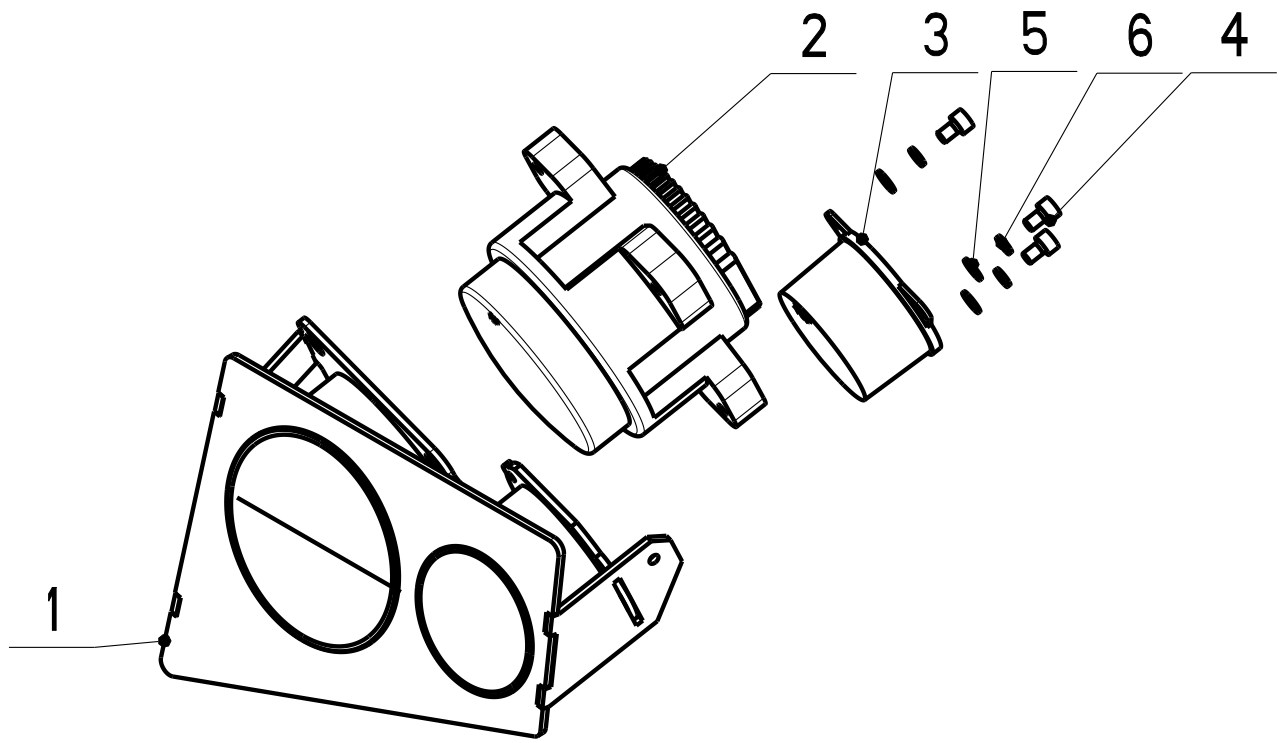
RIGHT DOOR ASSEMBLY**30.7**

1	2	3	4	Name
1	20307001	1		WELDED RIGHT DOOR
2	20302002	1		LOWER JOINT
3	20307003	1		UPPER JOINT
4	00020012	4		WASHER 6.4
5	09101029	2		NUT M6
6	20302006	1		PIN WITH SPRING M10
8	20302008	1		LOCK
9	20302009	1		HANDLE



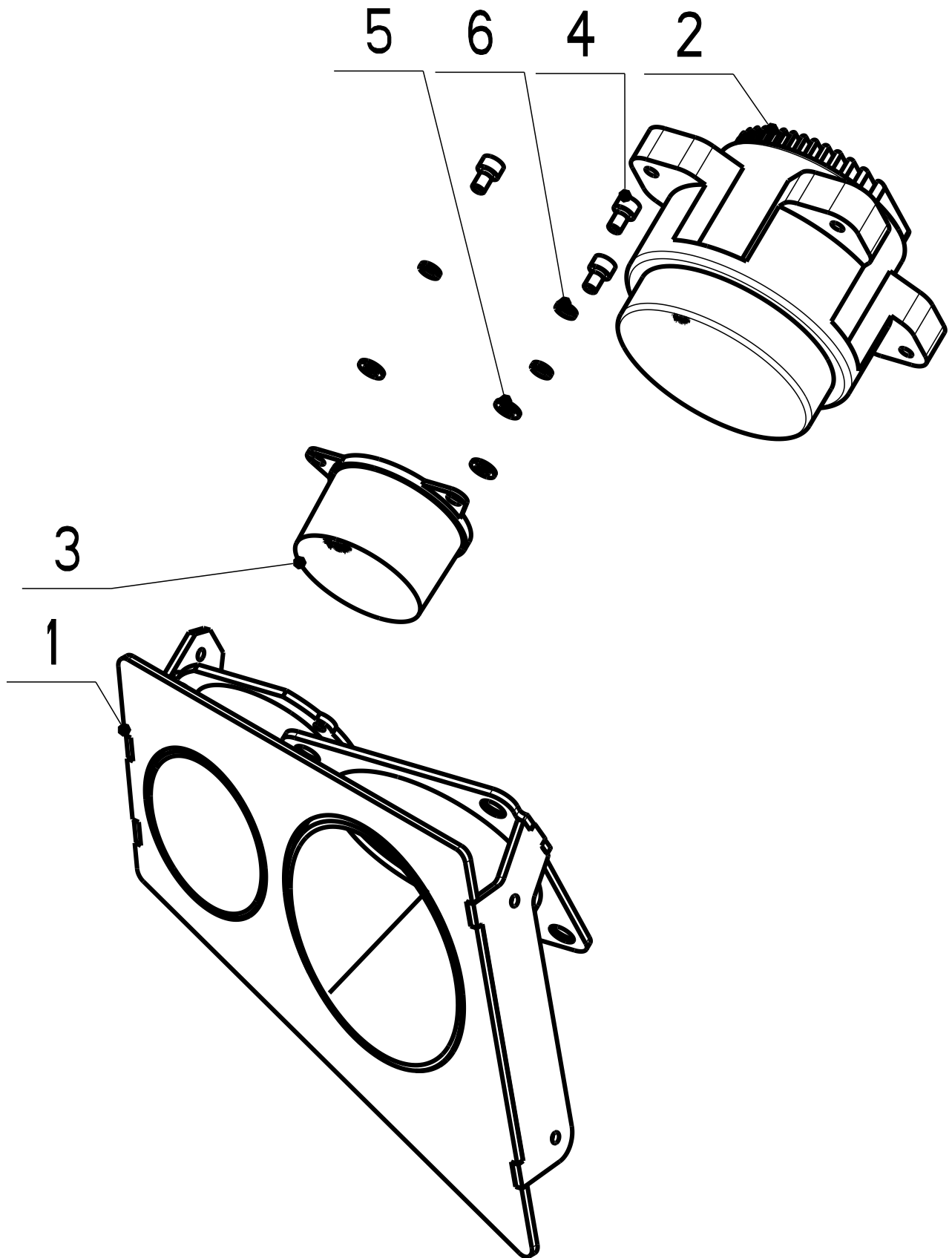
MUDGUARDS ASSEMBLY**31.1**

1	2	3	4	Name
1	20311001	1		LEFT MUDGUARD
2	20311002	1		RIGHT MUDGUARD
3	20311003	2		MUDGUARD BUNDLE
4	20311004	2		FRONT LIGHTING BUNDLE
5	20311005	1		LEFT LIGHTS BRACKET ASSEMBLY
6	20311006	1		RIGHT LIGHTS BRACKET ASSEMBLY
7	20311007	2		CAP
8	20311008	1		BRACKET
9	20311009	1		BRACKET
10	00111019	2		SPRING
11	07111059	2		CAP
12	06331008	12		SCREW M5x10
13	20311013	8		SCREW M10x30
14	20311014	2		WASHER 17
15	07110015	2		COTTER PIN 4x25
16	20311016	2		PIN 5x40
17	20311017	2		DIRECTIONAL LIGHT
18	07111058	2		BACK MIRROR



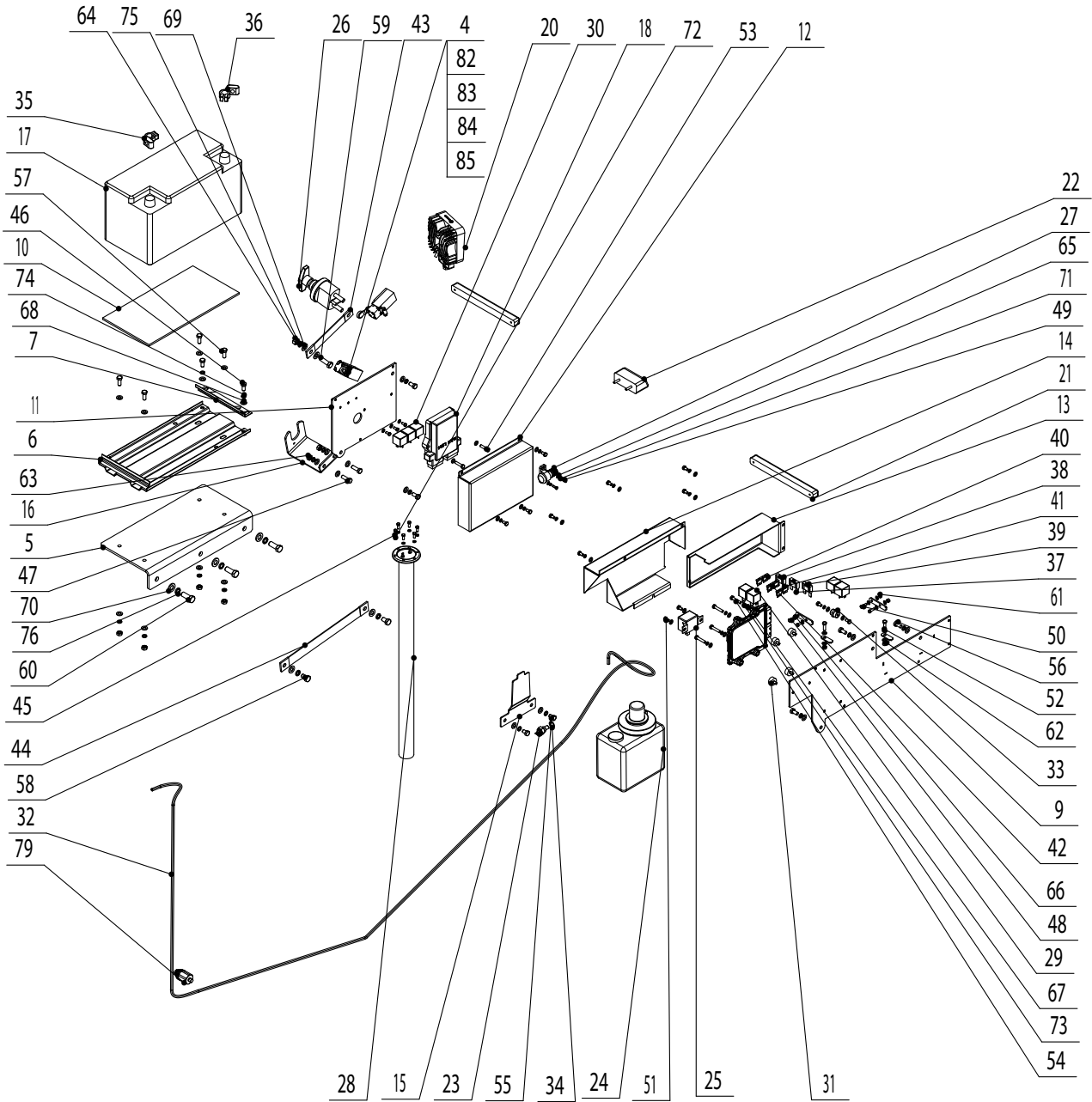
LEFT LIGHTS HOLDER ASSEMBLY**31.2**

1	2	3	4	Name
1	20312001	1		LEFT LIGHTS HOLDER
2	20312002	1		FRONT HEADLIGHT
3	20312003	1		FRONT DIRECTIONAL LIGHT
4	11064035	3		SCREW M5x8
5	00050022	3		WASHER 5.3
6	00081064	3		WASHER 5.1



RIGHT LIGHTS HOLDER ASSEMBLY**31.3**

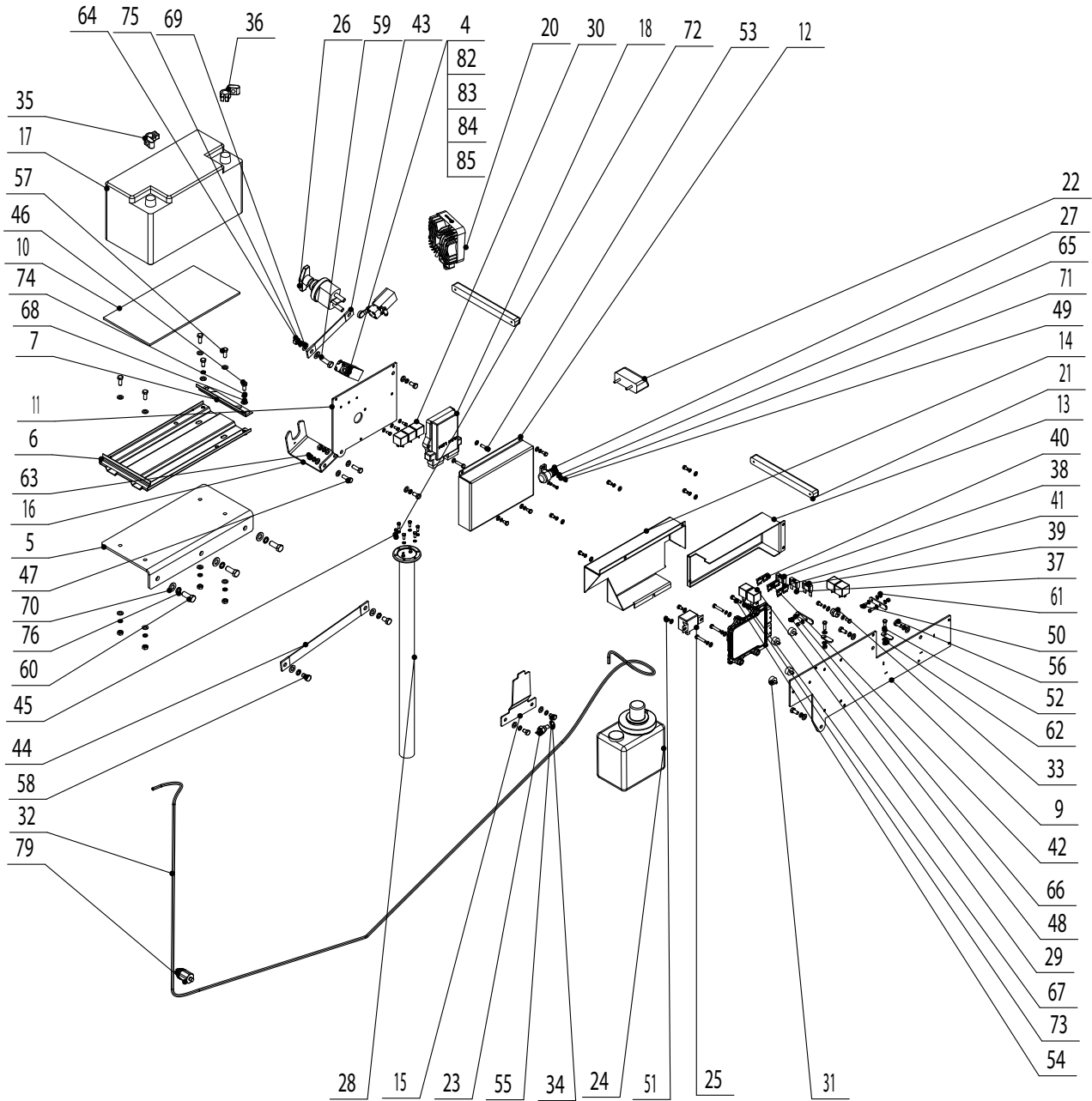
1	2	3	4	Name
1	20313001	1		RIGHT LIGHTS HOLDER
2	20312002	1		FRONT HEADLIGHT
3	20312003	1		FRONT DIRECTIONAL LIGHT
4	11064035	3		SCREW M5x8
5	00050022	3		WASHER 5.3
6	00081064	3		WASHER 5.1



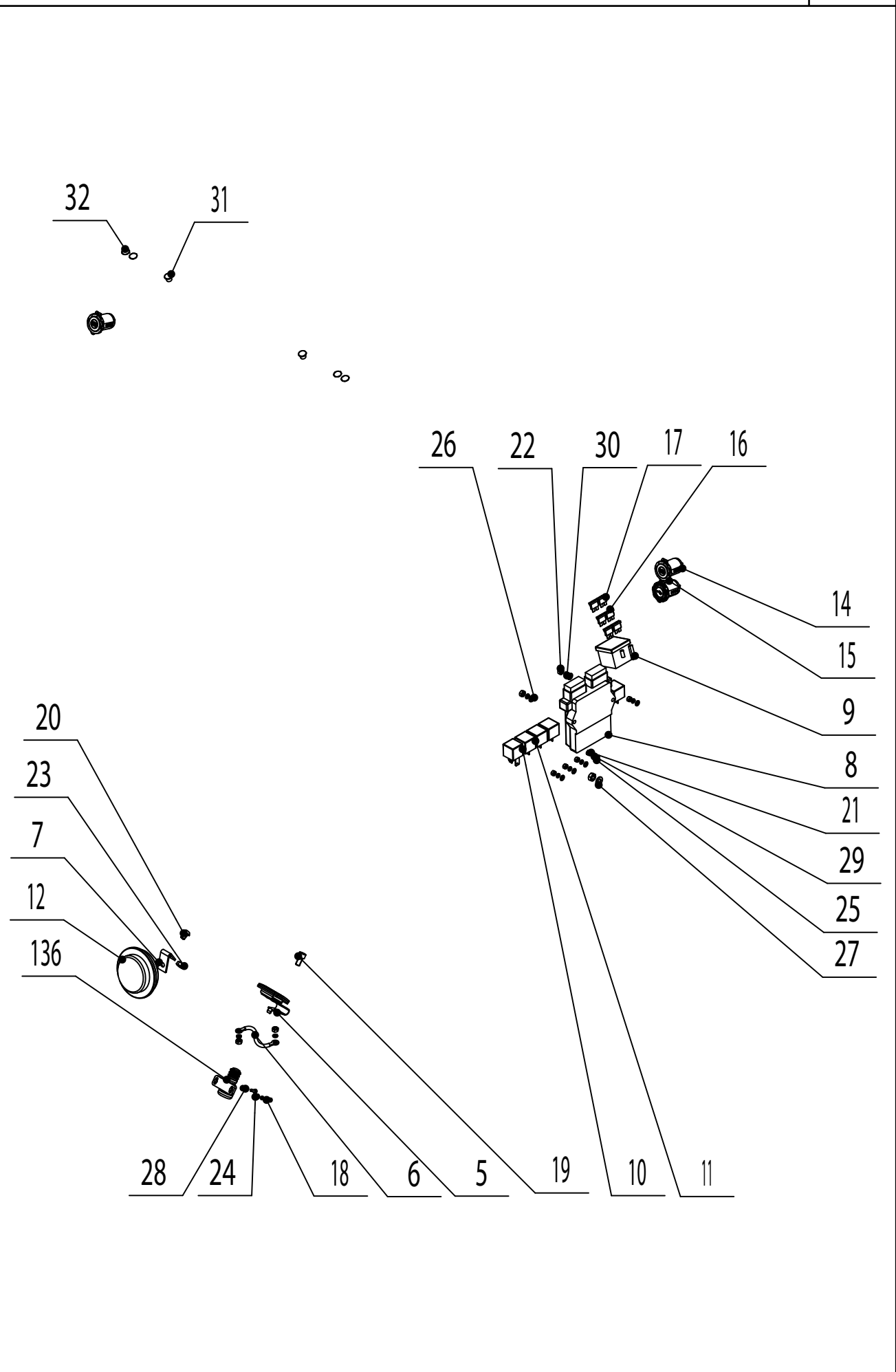
ELECTRICAL EQUIPMENT – FRAME

33.1

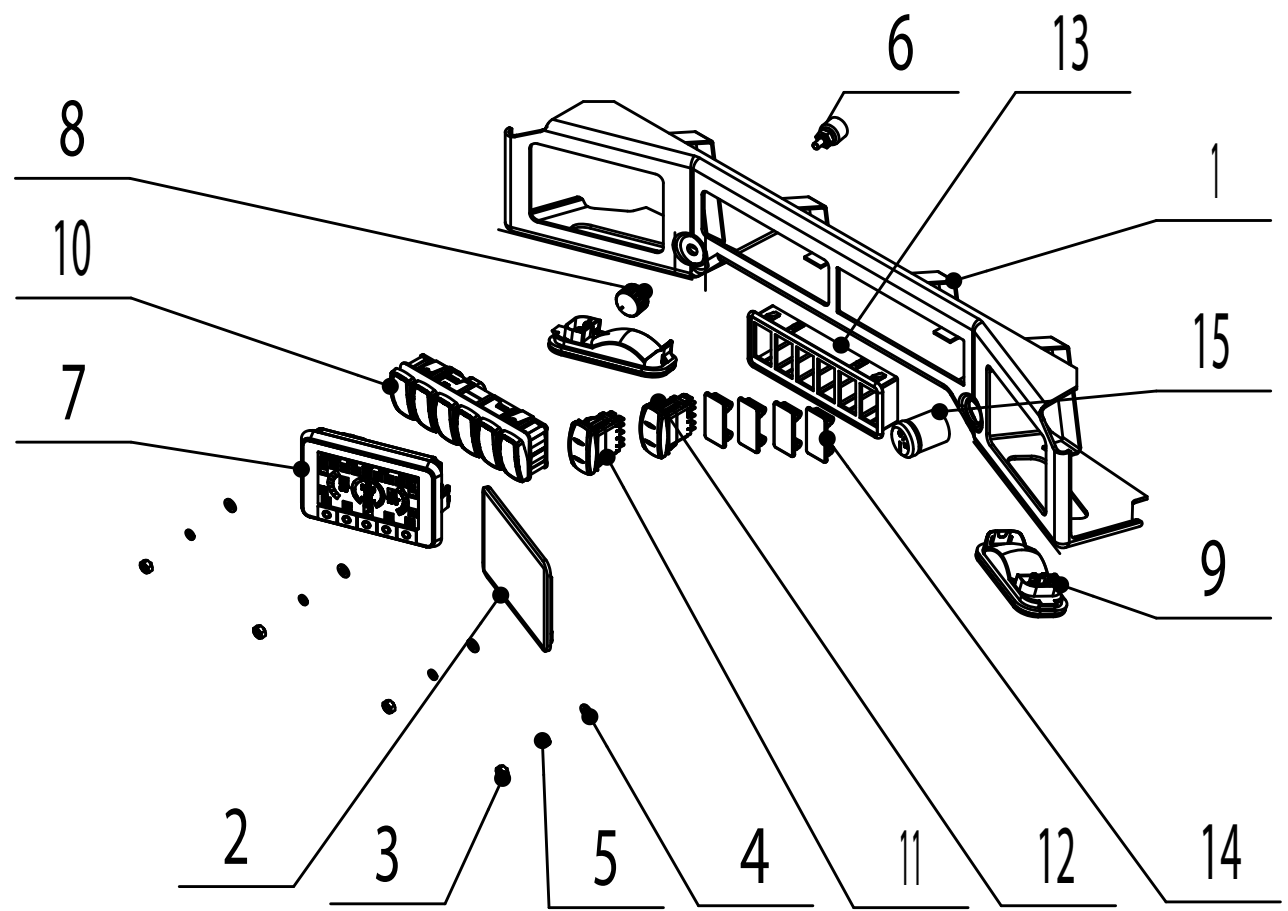
1	2	3	4	Name
1	21331001	1		ENGINE BUNDLE
2	21331002	1		FRAME BUNDLE
3	21331003	1		FRAME FREE CONDUCTORS
4	21331004	1		SHOVEL LEVELING
5	20331005	1		ACCUMULATOR BRACKET
6	07101016	1		ACCUMULATOR CARRIER
7	08101045	1		SAFETY
8	21331008	1		ELECTRICAL DIAGRAM
9	20331009	1		LEFT BRACKET
10	07101033	1		RUBBER UNDER ACCUMULATOR
11	20331011	1		RIGHT BRACKET
12	20331012	1		RIGHT COVER
13	20331013	1		RELAY COVER
14	20331014	1		ENGINE CONTROL UNIT COVER
15	20331015	1		SUB RESERVOIR BRACKET
16	20331016	1		DISCONNECTOR BRACKET
17	12201172	1		ACCUMULATOR
18	20331018	1		ENGINE CONTROL UNIT
20	20331020	1		TAIL GROUP LIGHT WORK LIGHT
21	20331021	2		TAIL GROUP LIGHT LIGHT
22	20331022	1		LICENSE PLATE LIGHTING
23	06134004	1		TEMPERATURE SENSOR
24	20331024	1		SUB RESERVOIR
25	14201107	1		RELAY
26	13101030	1		DISCONNECTOR OF ACCUMULATOR
27	12202014	1		SWITCH
28	20331028	1		FUEL LEVEL SENSING
29	20331029	2		RELAY
30	20331030	5		RELAY
31	08201114	4		SILENT BLOCK
32	07102040	0.115		TUBE
33	14201137	1		INSULATOR
34	00083008	1		COPPER RING
35	14101066	1		STORAGE BATTERY TERMINAL -
36	14101065	1		STORAGE BATTERY TERMINAL +
37	12201122	1		FUSE 30A GREEN
38	12201165	1		FUSE 40A ORANGE
39	12201164	1		FUSE 60A BLUE
40	12201119	2		FUSE 5A
41	14201118	2		FUSE 10A
42	12201120	2		FUSE 25A
43	12201116	1		GROUNDING BELT
44	12201147	1		GROUNDING BELT
45	20331045	6		SCREW M5x12
47	20331047	2		SCREW M8x25
48	01050014	5		SCREW M5x10
49	00107010	2		SCREW M4x12
50	07152028	2		SCREW M5x16
51	01121021	10		SCREW M6x10
52	08101022	2		SCREW M6x20
53	09068032	2		SCREW M6x25
54	12066033	4		SCREW M6x30
55	00091019	2		SCREW M8x12
56	01092018	8		SCREW M8x16
57	00031046	4		SCREW M8x20



1	2	3	4	Name
58	09121035	2		SCREW M10x16
59	00173002	1		SCREW M10x30
60	01071026	3		SCREW M12x30
61	07102016	2		NUT M5
62	01083033	2		NUT M6
63	01061006	7		NUT M8
64	00173005	1		NUT M10
65	00102020	2		WASHER 4.3
66	00050022	9		WASHER 5.3
67	00020012	22		WASHER 6.4
68	00020018	22		WASHER 8
69	00083021	4		WASHER 10.5
70	00031054	3		WASHER 13
71	00111035	2		WASHER 4.1
72	00081064	6		WASHER 5.1
73	00031055	14		WASHER 6
74	00020019	16		WASHER 8
75	00020029	3		WASHER 10
76	00031052	3		WASHER 12
77	13101048	0.5		PROTECTION
78	14102052	32		BINDER CABLE 200x4.8
79	20331004	1		SWITCH
80	06261026	2		SCREW M6x12
81	21331081	2		DIODE
82	21331082	1		LEVELING BUNDLE
83	21331083	2		WASHER
84	21331084	2		SWITCH
85	21331085	4		SCREW M4x40

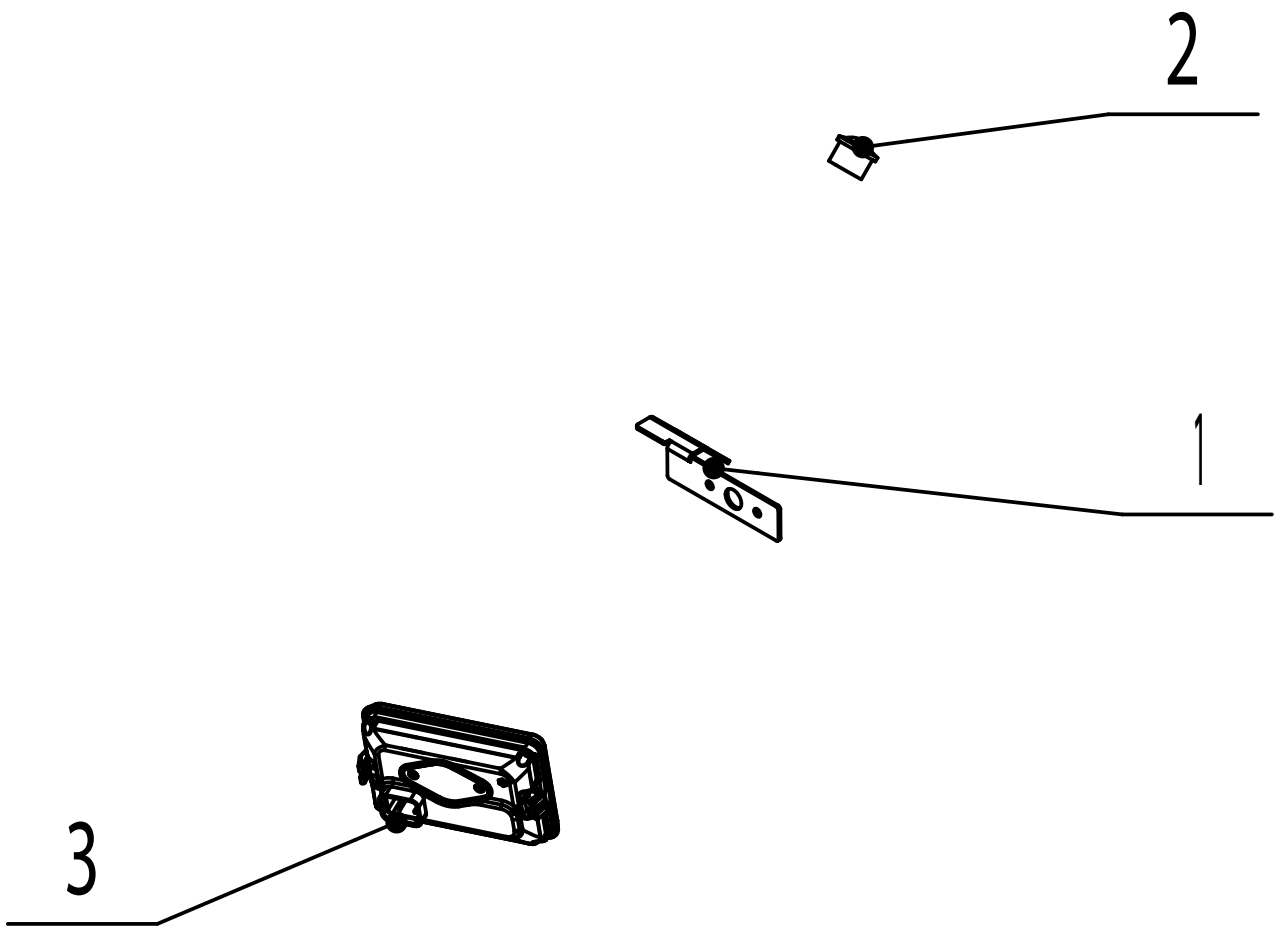


1	2	3	4	Name
1	20332001	1		CABIN BUNDLE
2	20332002	1		CABIN FREE CONDUCTORS
3	12202053	1		LEFT REMOTE CONTROLLER BUNDLE
4	12202055	1		RIGHT REMOTE CONTROLLER BUNDLE
5	12202018	1		RUBBER CAP
6	00101026	1		CONDUCTOR
7	20332007	1		BRACKET
8	20332008	1		LOADER CONTROL UNIT
9	07102007	1		FUSE BOX
10	20331029	1		RELAY
11	20331030	4		RELAY
12	00101021	1		HORN
13	12202014	1		SWITCH
14	20332014	2		FEMALE CONNECTOR 12V
15	20332015	1		USB ADAPTER
16	20332016	2		FUSE 15A
17	12201120	4		FUSE 25A
18	00107010	2		SCREW M4x12
19	06334012	1		SCREW M8x16
20	20332020	1		SCREW M8x12
21	07102016	5		NUT M5
22	01083033	4		NUT M6
23	01061006	2		NUT M8
24	00102020	2		WASHER 4.3
25	00050022	5		WASHER 5.3
26	00020012	2		WASHER 6.4
27	00020018	1		WASHER 8.4
28	00111035	2		WASHER 4.1
29	00081064	5		WASHER 5.1
30	00031055	4		WASHER 6
31	20332031	2		PLUG
32	20332032	4		PLUG
33	12201150	1		SHORT-TIME SOURCE
34	20332034	1		CONNECTOR



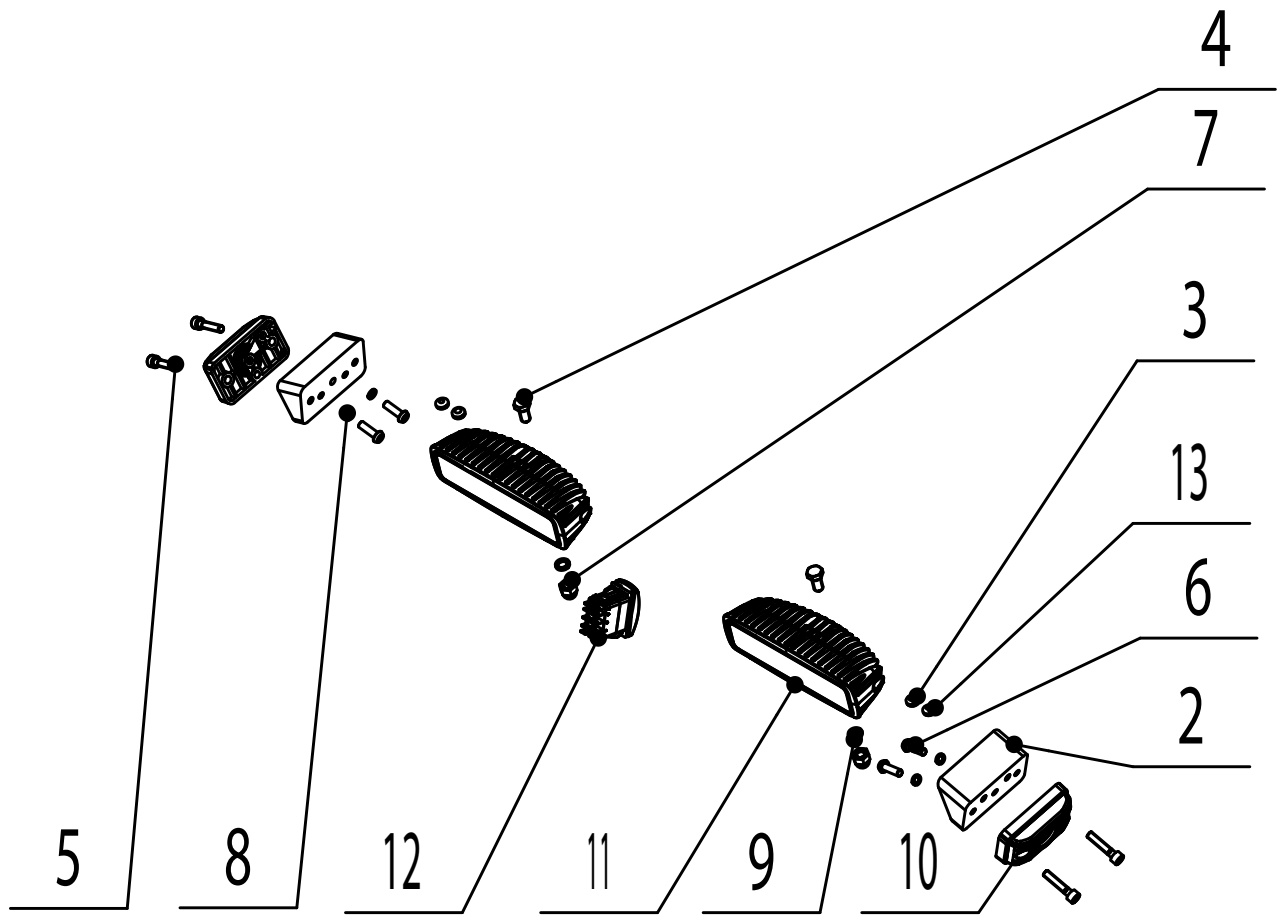
INSTRUMENT BOARD**33.3**

1	2	3	4	Name
1	20333001	1		FRONT PANEL
2	20333002	1		CAMERA DISPLAY COVER
3	01083033	4		NUT M6
4	00020012	4		WASHER 6.4
5	00031055	4		WASHER 6
6	09103031	1		POTENTIOMETER
7	20333007	1		DISPLAY
8	20333008	1		BUTTON
9	20333009	2		INTERIOR LIGHT
10	20333010	1		CAN MODULE
11	20333011	1		BEACON SWITCH
12	20333012	1		QUICK COUPLING PRESSURE RELIEF SWITCH
13	20333013	1		WELT
14	20333014	4		COVER
15	00103009	1		SWITCH BOX



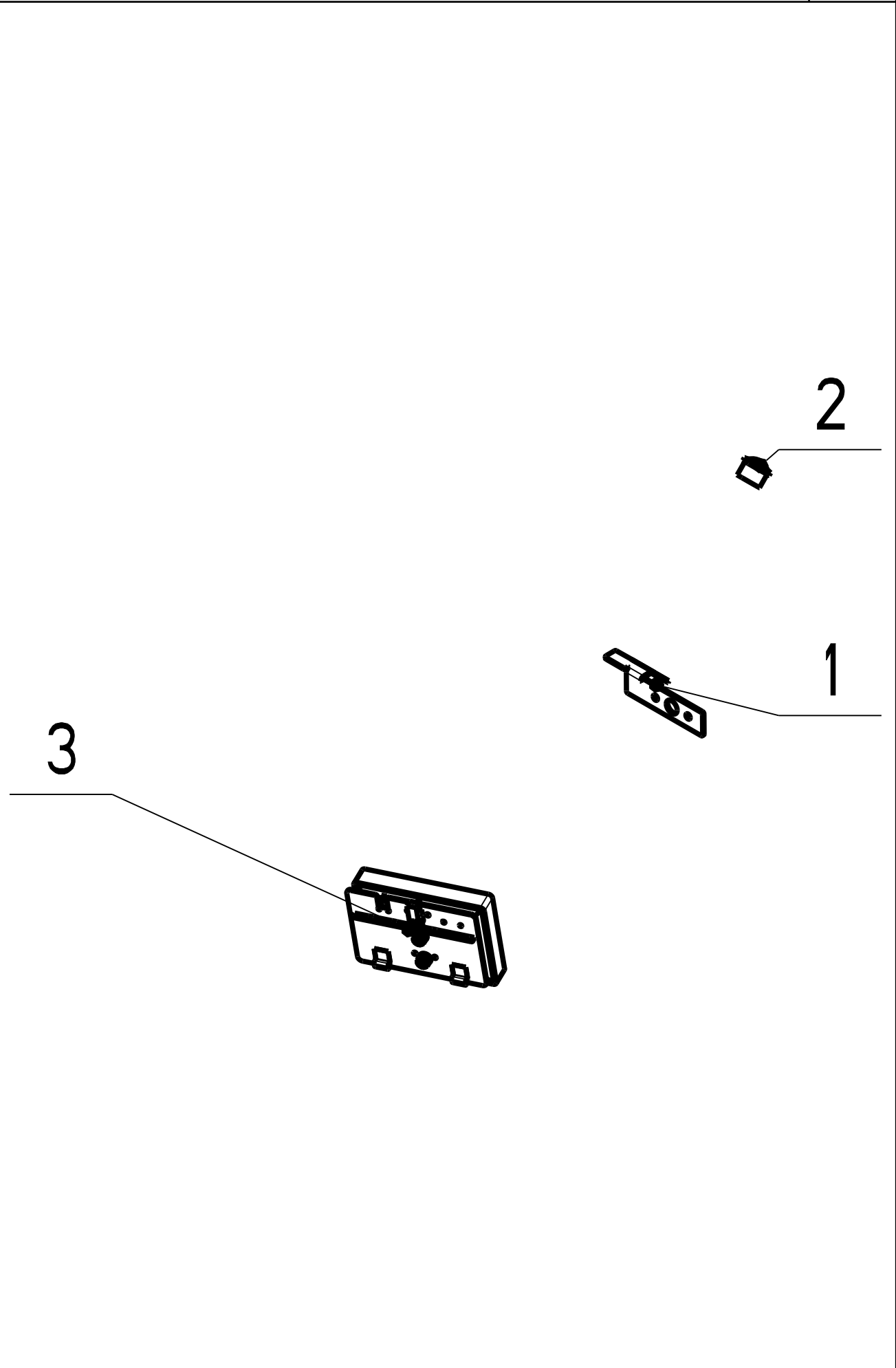
REVERSING CAMERA**33.4**

1	2	3	4	Name
1	20334001	1		BRACKET
2	20334002	1		PARKING CAMERA
3	20334003	1		DISPLAY
4	20332034	1		CONNECTOR



ADDITIONAL WORKING LIGHTS**33.5**

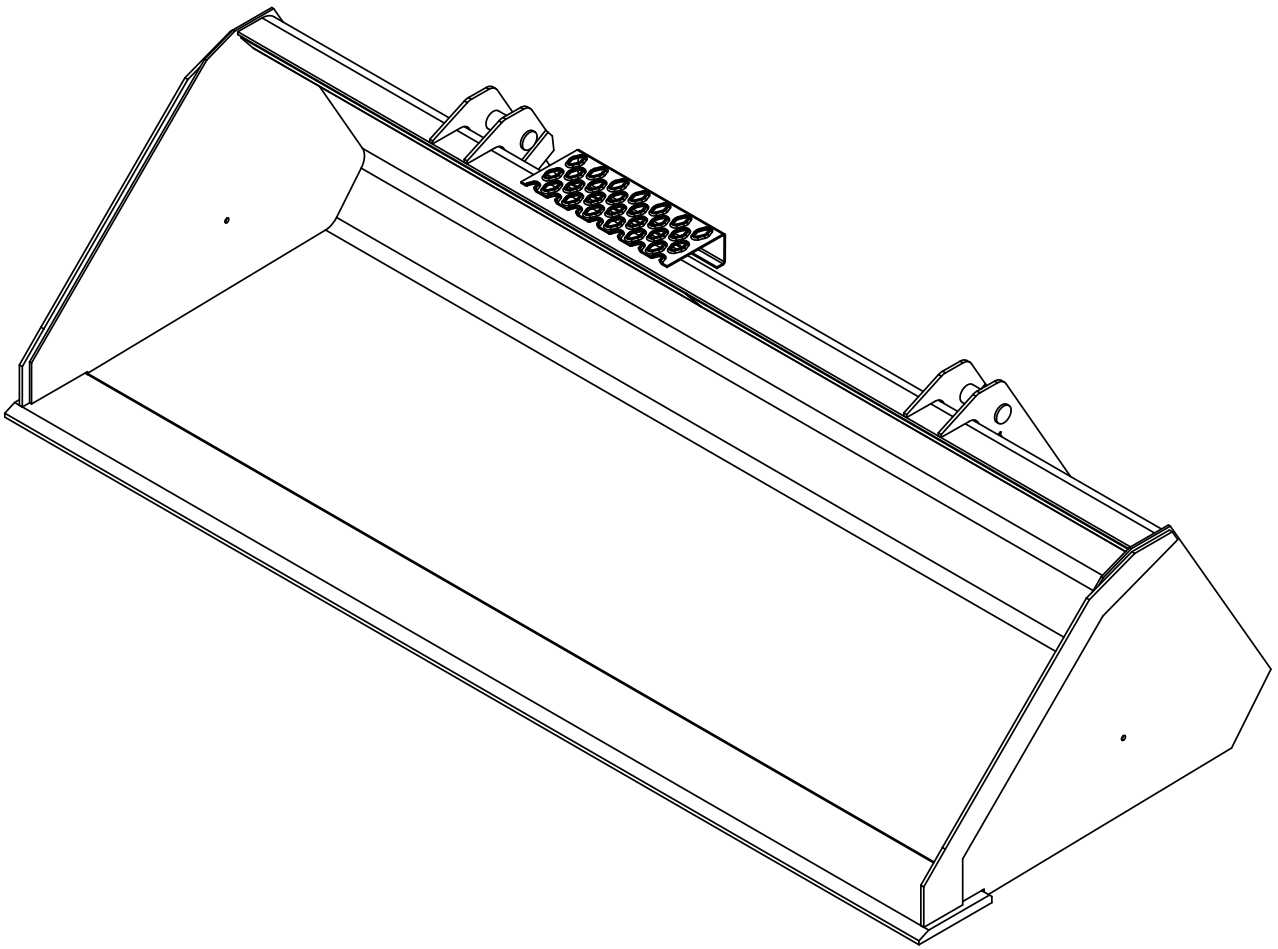
1	2	3	4	Name
1	20335001	1		WORKING LIGHTS BUNDLE
2	20335002	2		BRACKET
3	09083033	2		SLEEVE 5.5x2
4	01092018	2		SCREW M8x16
5	00104046	4		SCREW M6x30
6	07082044	4		SCREW M6x20
7	20335007	2		NUT M8
8	00031055	4		WASHER 6
9	00020019	2		WASHER 8.2
10	20335010	2		SIDE WORKING LIGHT
11	20335011	2		FRONT WORKING LIGHT
12	20335012	1		WORKING LIGHTS SWITCH
13	20335013	2		SLEEVE



REVERSING CAMERA WITH 5 INCH DISPLAY

33.6

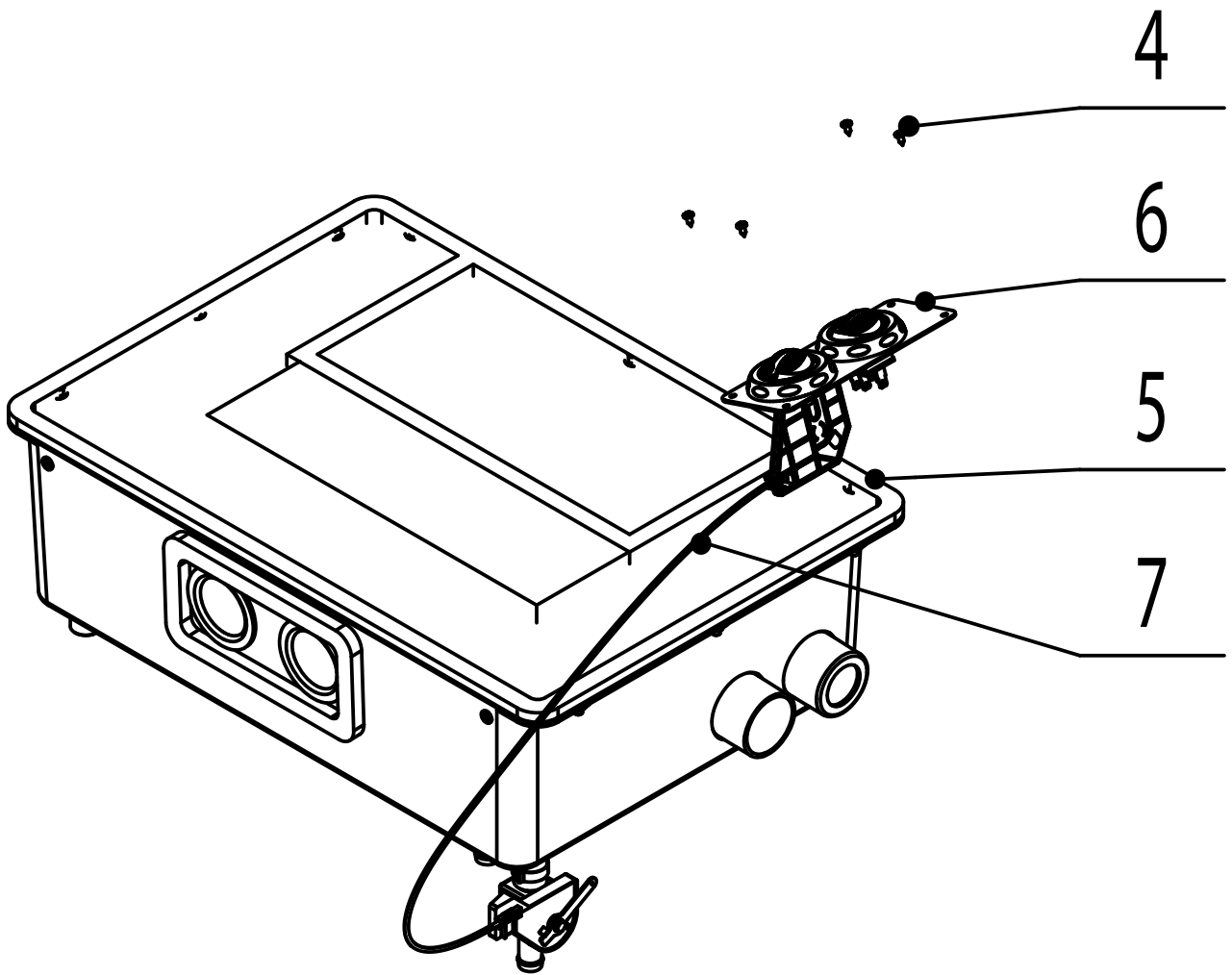
1	2	3	4	Name
1	20334001	1		BRACKET
2	20334002	1		PARKING CAMERA
3	20336003	1		DISPLAY



BUCKET

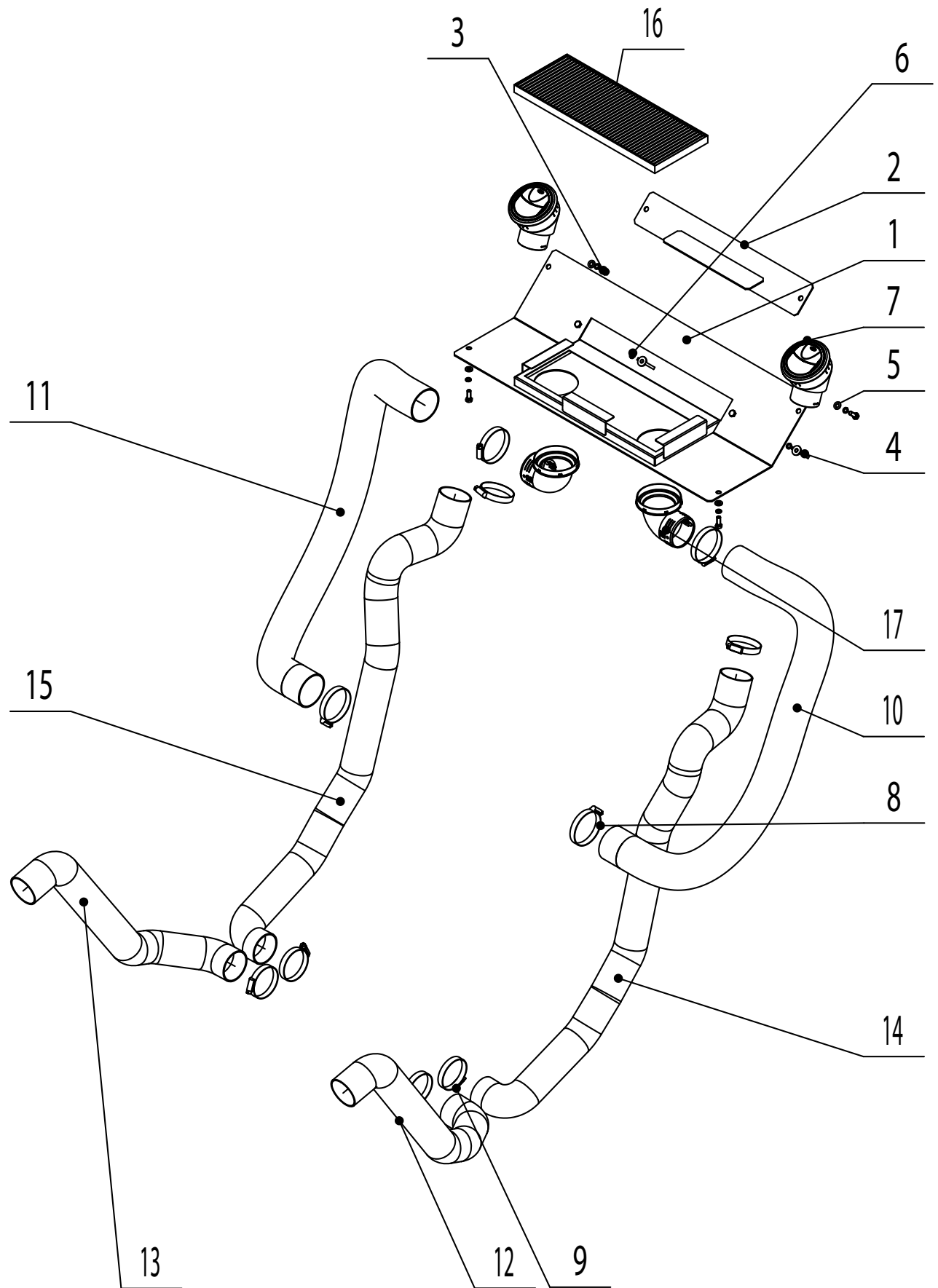
35.1

1	2	3	4	Name
1	20351001	1		BUCKET



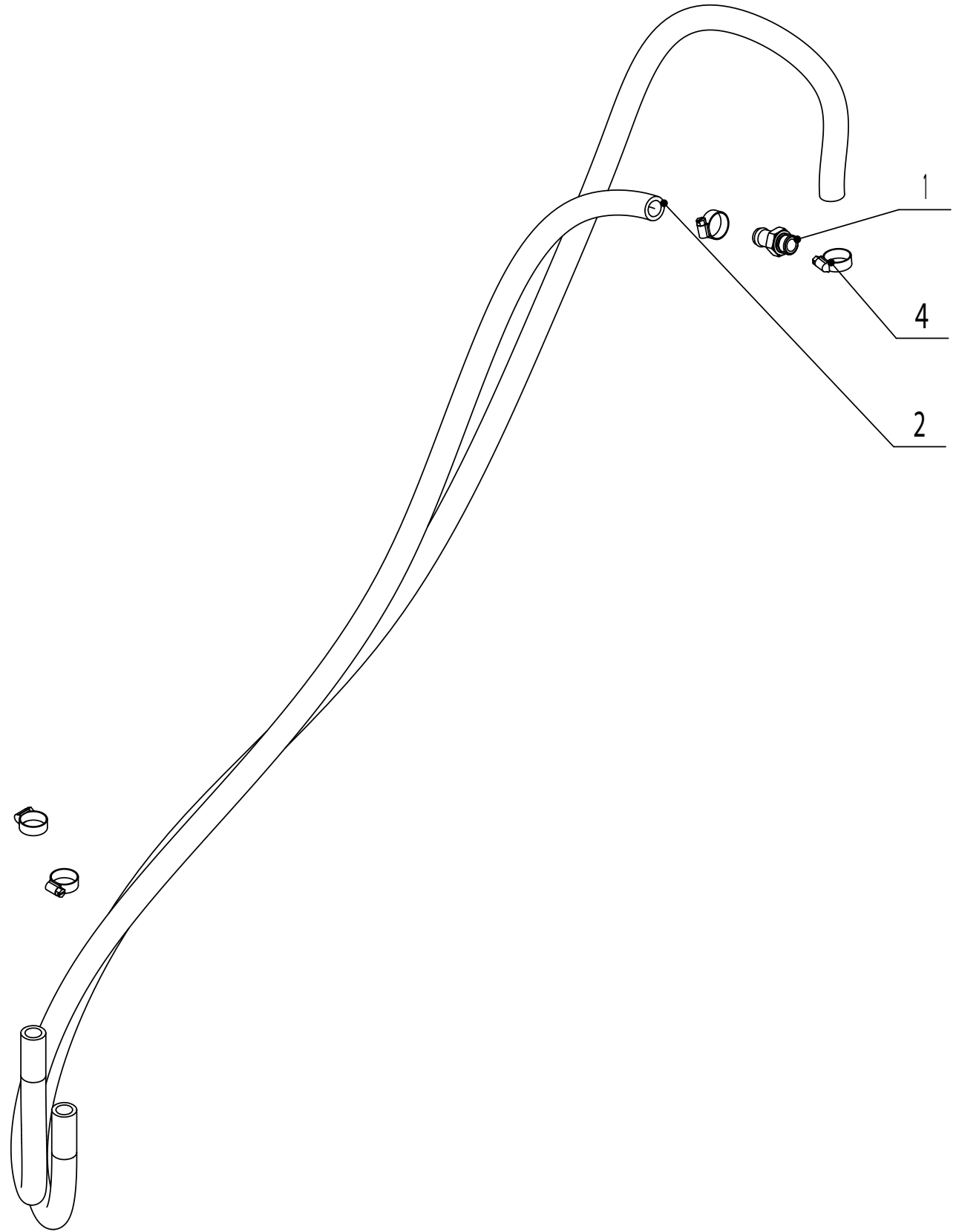
HEATING ASSEMBLY**37.1**

1	2	3	4	Name
3	20371003	1		HEATING BUNDLE
4	20371004	4		SCREW ST 3.5x9.5
5	20371005	1		HEATING
6	20371006	1		HEATING CONTROL
7	20371007	1		BOWDEN



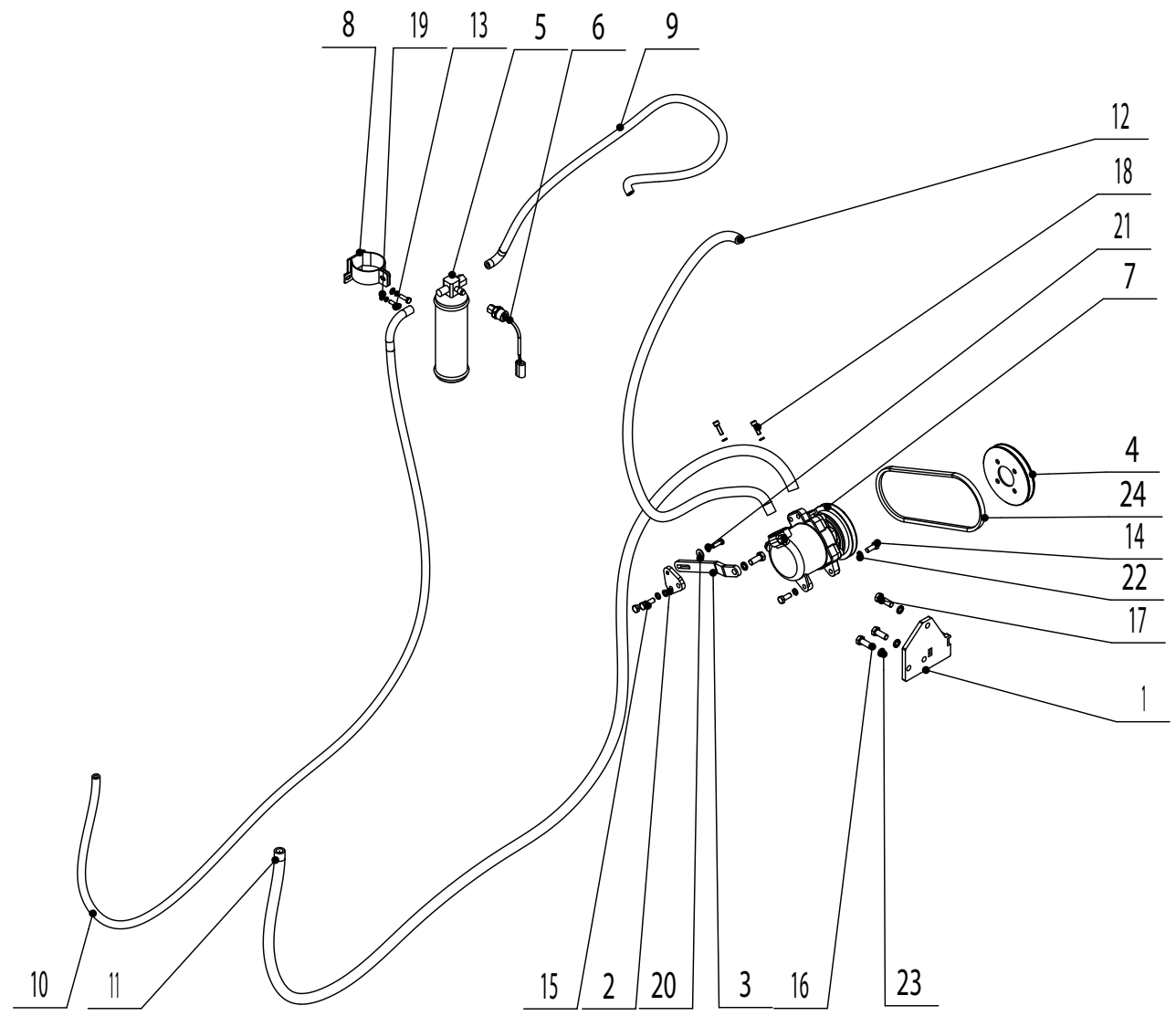
AIR DISTRIBUTION**37.2**

1	2	3	4	Name
1	20372001	1		BRACKET
2	20372002	1		COVER
3	02121018	4		SCREW M6x16
4	00252035	2		NUT M6
5	00020012	4		WASHER 6.4
6	00031055	6		WASHER 6
7	20372007	2		DIFFUSER
8	00172021	4		HOSE CLAMP
9	06042009	6		HOSE CLAMP
10	20372010	1		HOSE 56-800
11	20372010	1		HOSE 56-800
12	20372012	1		HOSE 51-600
13	20372012	1		HOSE 51-600
14	20372012	1		HOSE 51-910
15	20372012	1		HOSE 51-910
16	20372016	1		AIR FILTER
17	20372017	2		L-SOCKET
18	14102052	8		BINDER CABLE 200x4.8



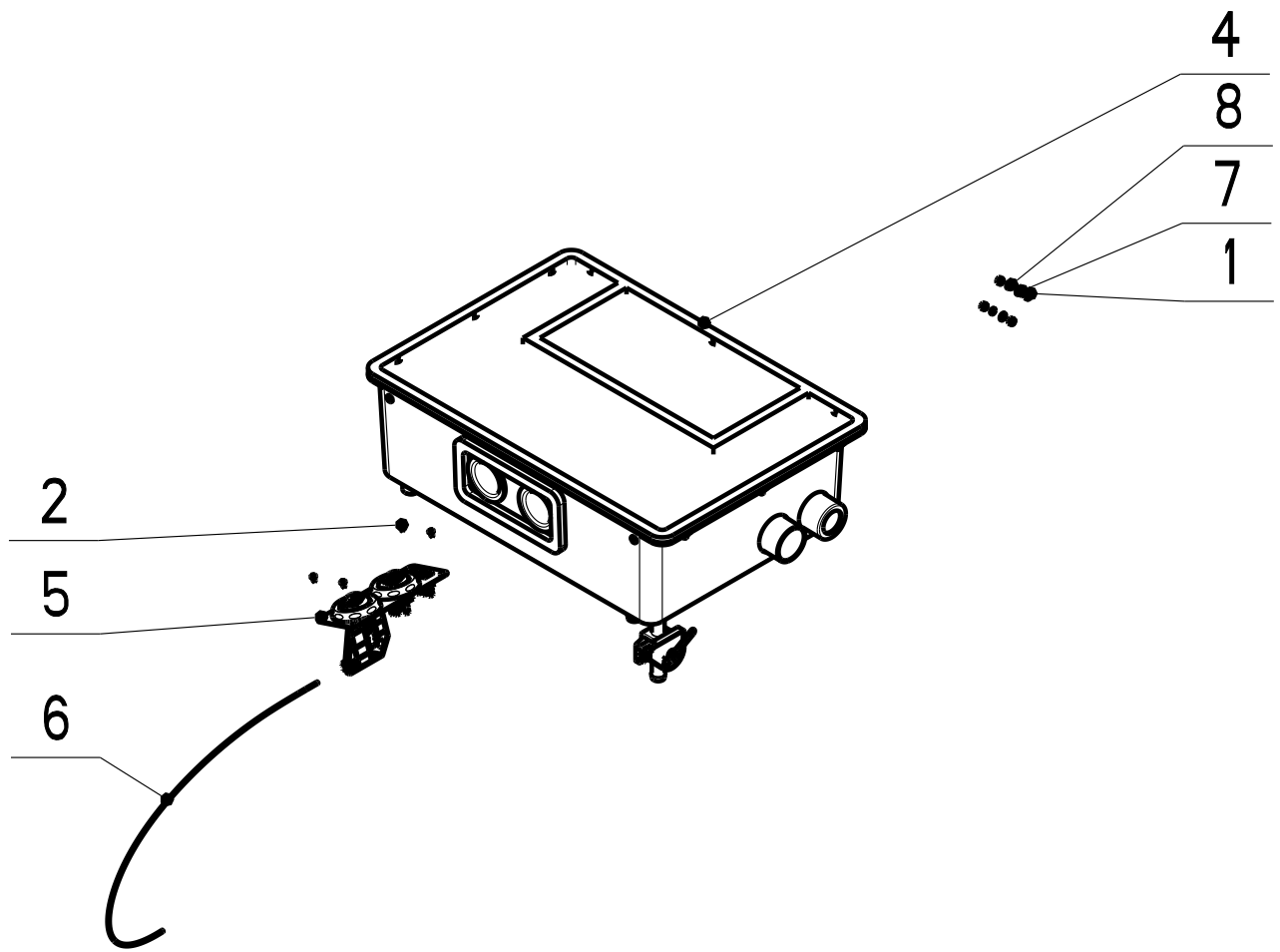
HEATING INTAKE**37.3**

1	2	3	4	Name
1	12134074	1		SOCKET
2	07130019	6		HOSE
4	07130020	4		HOSE CLAMP



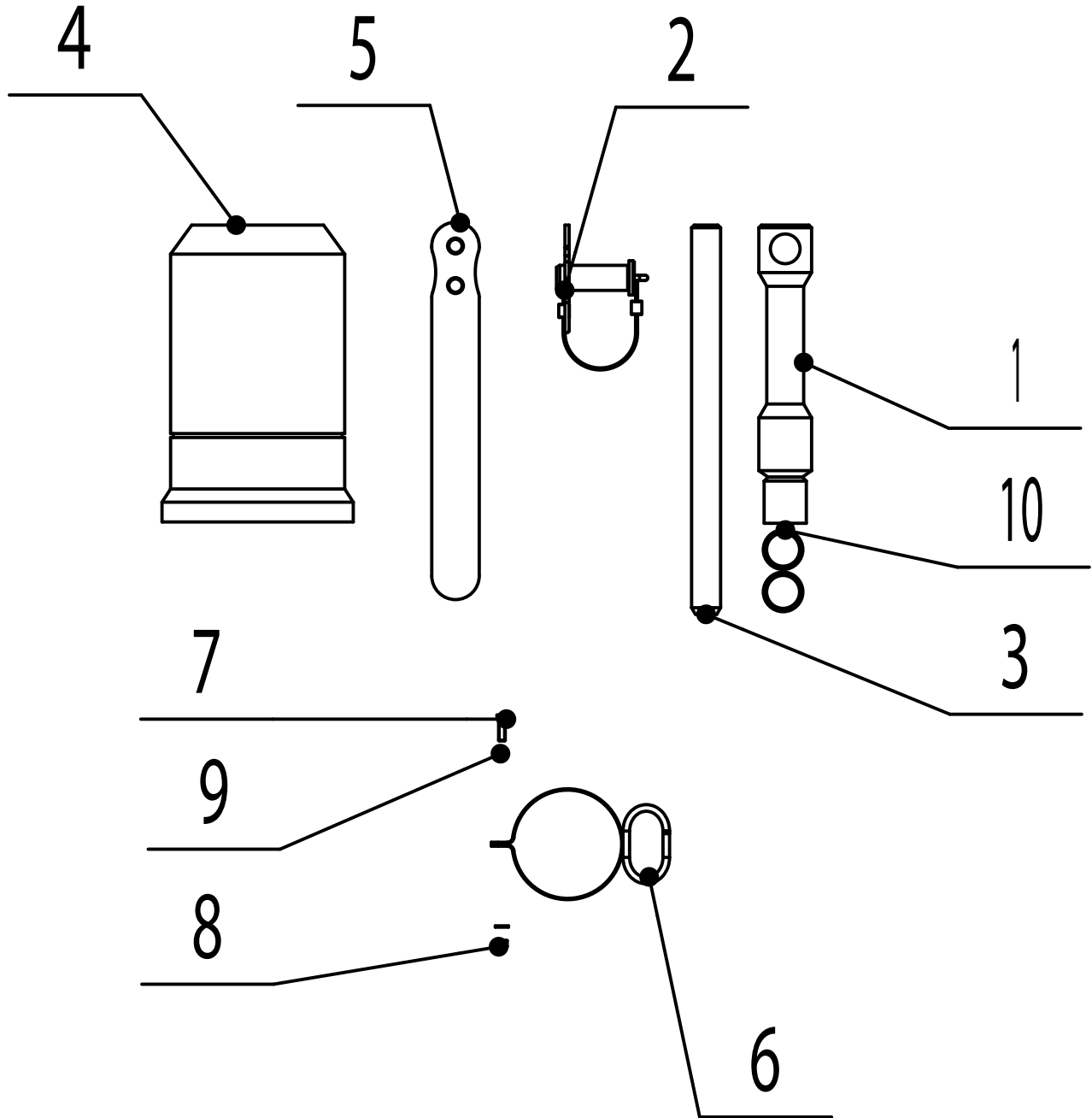
AIR CONDITION ACCESSORIES**37.4**

1	2	3	4	Name
1	21374001	1		BRACKET
2	20374003	1		HOLDER
3	21374003	1		DRAWBAR
4	21374004	1		PULLEY
5	20374018	1		SLUDGE CLEANER
6	20374020	1		PRESSURE VALVE
7	20374025	1		COMPRESSOR
8	20374019	1		SLUDGE CLEANER BRACKET
9	20374022	1		HOSE 2
10	20374021	1		HOSE 1
11	20374023	1		HOSE 3
12	21374012	1		HOSE 5
13	08101022	3		SCREW M6x20
15	07172007	4		SCREW M8x25
16	00085020	3		SCREW M10x25
17	00173002	1		SCREW M10x30
18	01215022	2		SCREW M6x20
19	00020012	2		WASHER 6.4
20	09157017	1		WASHER 6.3
21	00031055	5		WASHER 6
22	00020019	4		WASHER 8
23	00020029	4		WASHER 10
24	21374024	1		V-BELT 10x725



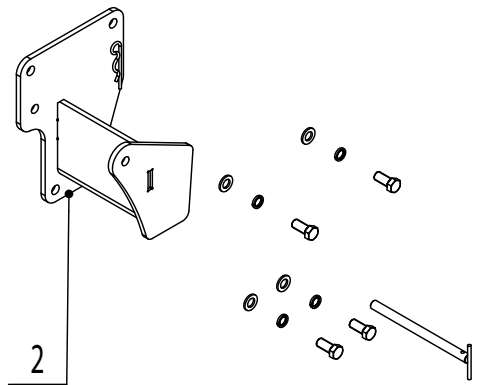
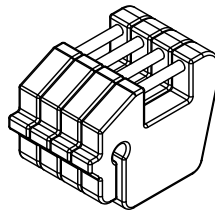
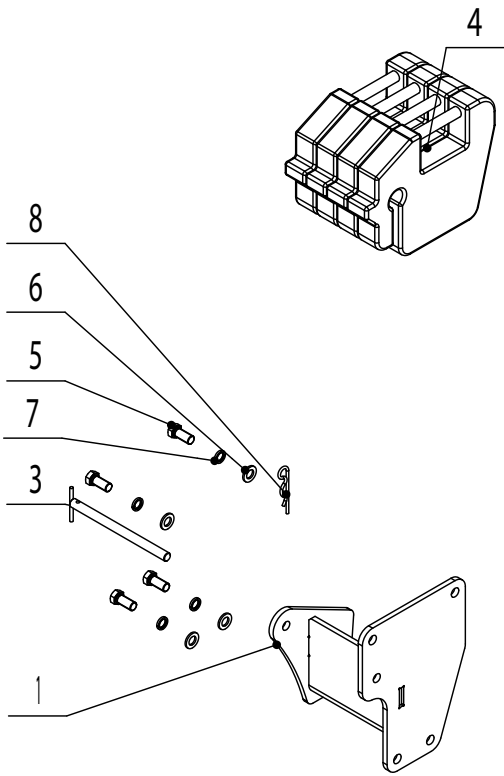
AIR CONDITION ASSEMBLY**37.5**

1	2	3	4	Name
1	07102016	4		NUT M5
2	20371004	4		SCREW ST 3.5x9.5
3	20375003	1		AIR CONDITION BUNDLE
4	20375004	1		AIR CONDITION
5	20375005	1		AIR CONDITION CONTROL
6	20371007	1		BOWDEN
7	00050022	2		WASHER 5.3
8	00081064	2		WASHER 5.1



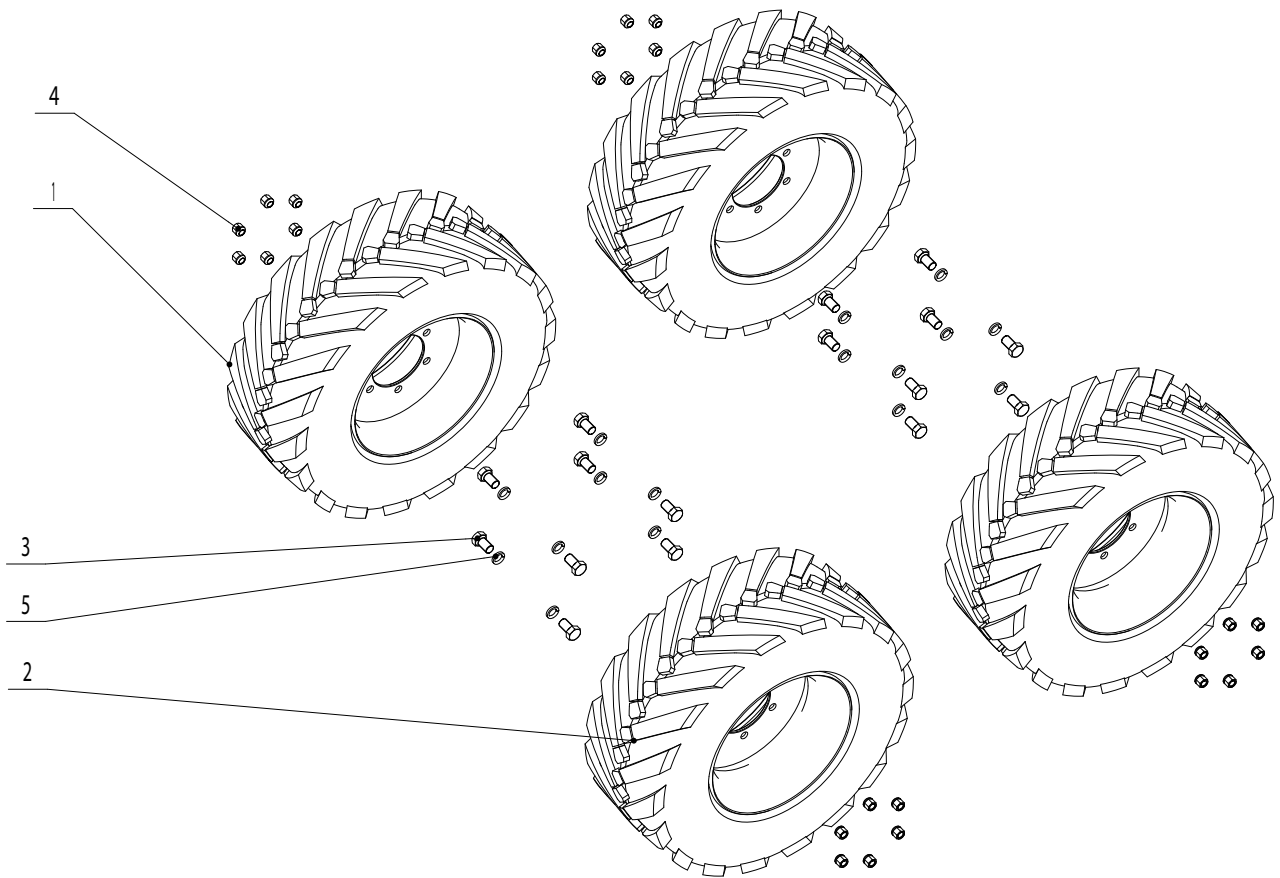
BASIC EQUIPMENT**43.1**

1	2	3	4	Name
1	07250029	1		WRENCH
2	20431002	1		PIN
3	00252005	1		BAR
4	12250026	1		BEACON 12/24V
5	20431005	1		WRENCH
6	20431006	1		CLAMP
7	07152028	1		SCREW M5X16
8	07102016	1		NUT M5
9	00050022	2		WASHER 5.3
10	00120042	2		RING



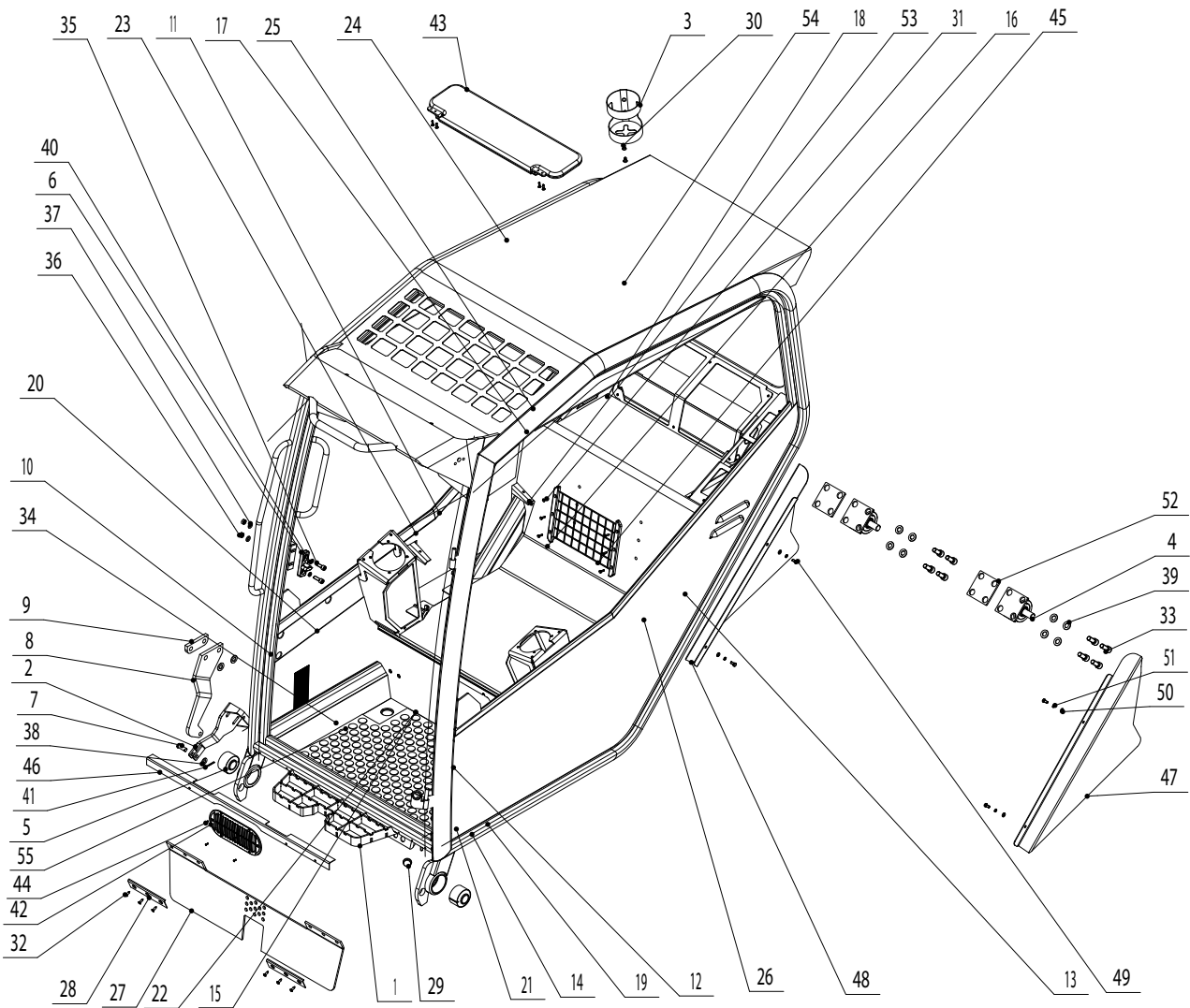
ADDITIONAL COUNTERWEIGHT**43.2**

1	2	3	4	Name
1	20432001	1		RIGHT WELDED PIECE
2	20432002	1		LEFT WELDED PIECE
3	20432003	2		PIN
4	20432004	8		WEIGHT 20KG (40LB)
5	20432005	8		SCREW M16x1.5x35
6	08178009	8		WASHER 16
7	00171024	8		WASHER 16.3
8	06120008	2		COTTER PIN



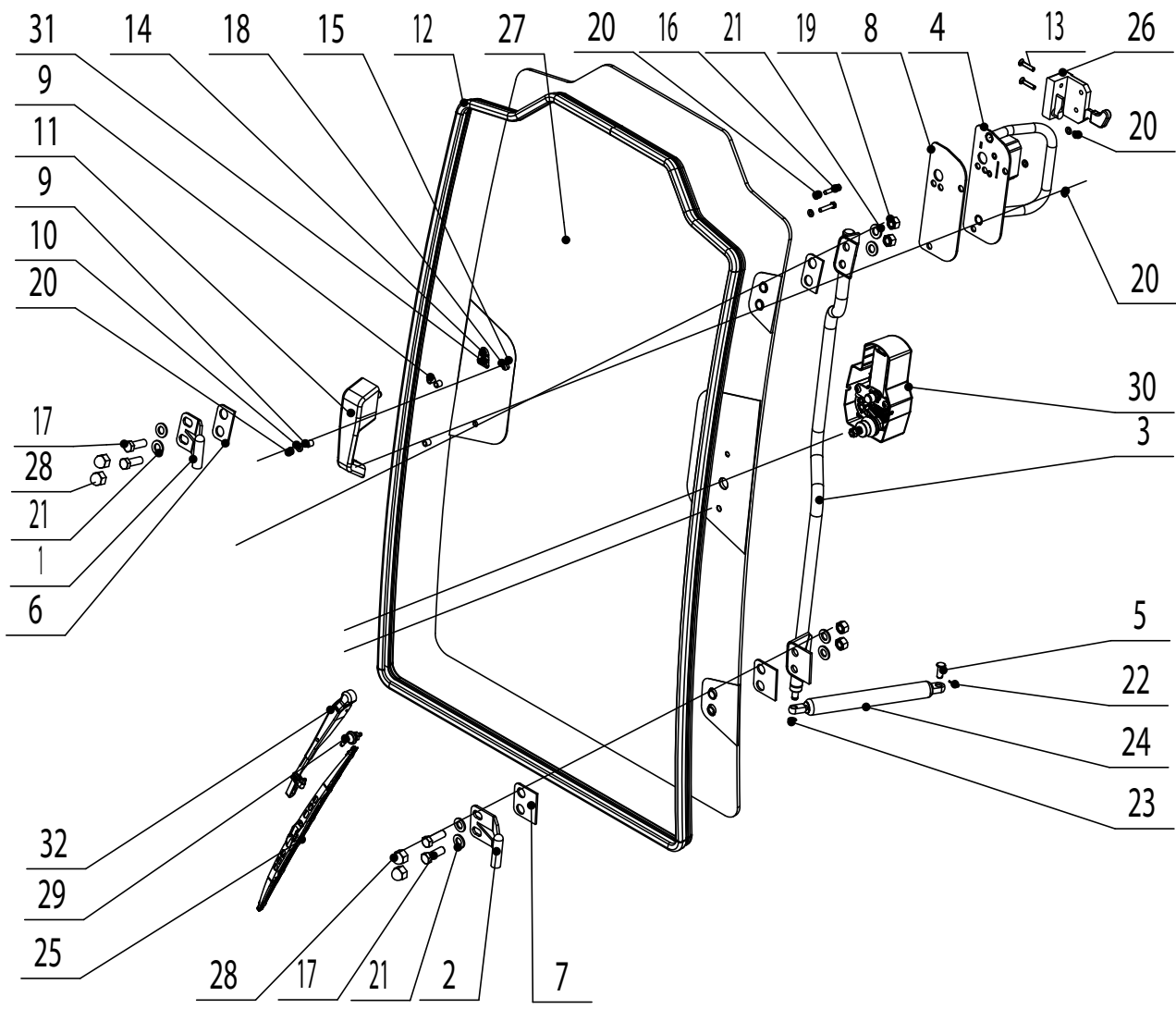
WHEELS**79.1**

1	2	3	4	Name
1	11140006	2		RIGHT WHEEL
2	11140007	2		LEFT WHEEL
3	20791003	16		SCREW M24x2x40
4	00031028	24		NUT M18x1.5
5	07411009	16		WASHER 24.5



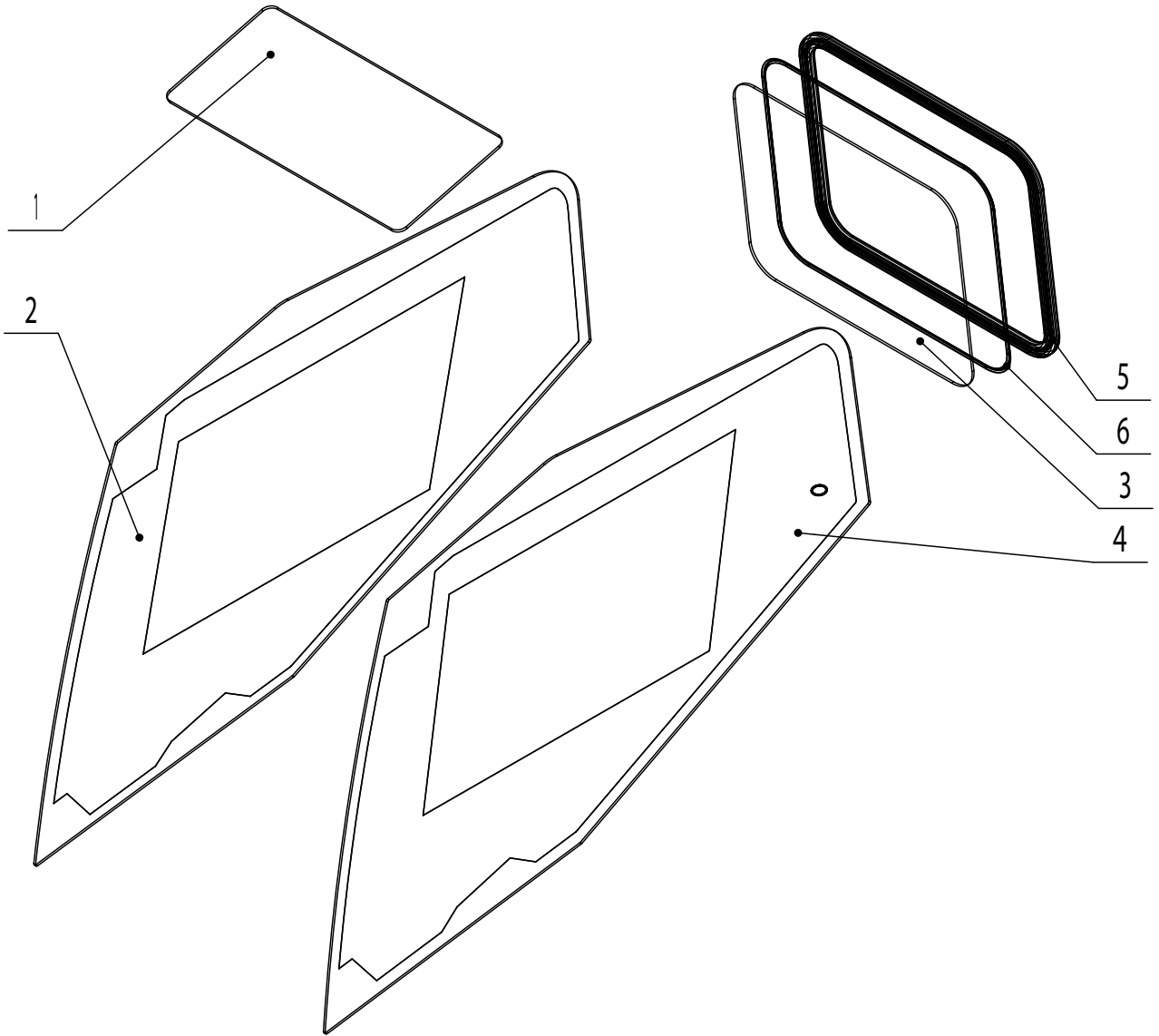
CABIN ASSEMBLY**83.1**

1	2	3	4	Name
1	20831001	1		WELDED CABIN
2	20831002	1		DRAWBAR
3	20831003	1		BOTTLE HOLDER
4	20831004	2		SILENTBLOK
5	20831005	2		SPRING
6	07151046	1		SHEET
7	11020065	1		PIN
8	20831008	1		BRACKET
9	20831009	2		WASHER
10	20831010	1		RIGHT FACING 1
11	20831011	1		RIGHT FACING 2
12	20831012	1		LEFT FACING 1
13	20831013	1		LEFT FACING 2
14	20831014	1		FLOOR FACING 1
15	20831015	1		FLOOR FACING 2
16	20831016	1		SEAT FACING 1
17	20831017	1		SEAT FACING 2
18	20831018	1		UPPER FACING
19	20831019	1		FLOOR RUBBER 1
20	20831020	1		RIGHT RUBBER 1
21	20831021	1		LEFT RUBBER 1
22	20831022	1		FLOOR RUBBER 2
23	20831023	1		RIGHT RUBBER 2
24	20831024	1		MIDDLE FACING
25	20831025	1		SEAT FACING
26	20831026	1		LEFT RUBBER 2
27	20831027	1		GUM
28	20831028	2		SLAT
29	07156014	1		STOP
30	07120031	2		SCREW M6x14
31	20831031	10		SCREW M4x16
32	14088028	6		SCREW M4.8x16
33	00272015	8		SCREW M12x30
34	09202026	2		SCREW M12x45
35	11064028	2		SCREW M8x25
36	01061006	2		NUT M8
37	00020018	2		WASHER 8.4
38	00083021	1		WASHER 10.5
39	00031054	10		WASHER 13
40	00020019	2		WASHER 8.2
41	10011041	1		COTTER PIN 3.2x18
42	20831042	1		GRATE
43	12152032	1		FLAP
44	20831044	4		SCREW ST2.9x9.5
45	20831045	1		BAG
46	20831046	1		COVERING SLAT
47	20831047	1		LEFT SHEET
48	20831048	1		RIGHT SHEET
49	06261026	4		SCREW M6x12
50	00020012	4		WASHER 6.4
51	00031055	4		WASHER 6
52	20831052	2		WASHER
53	00101034	2		SLEEVE 8x2
54	20831054	2		NUT M6
55	00031052	2		WASHER 12.2



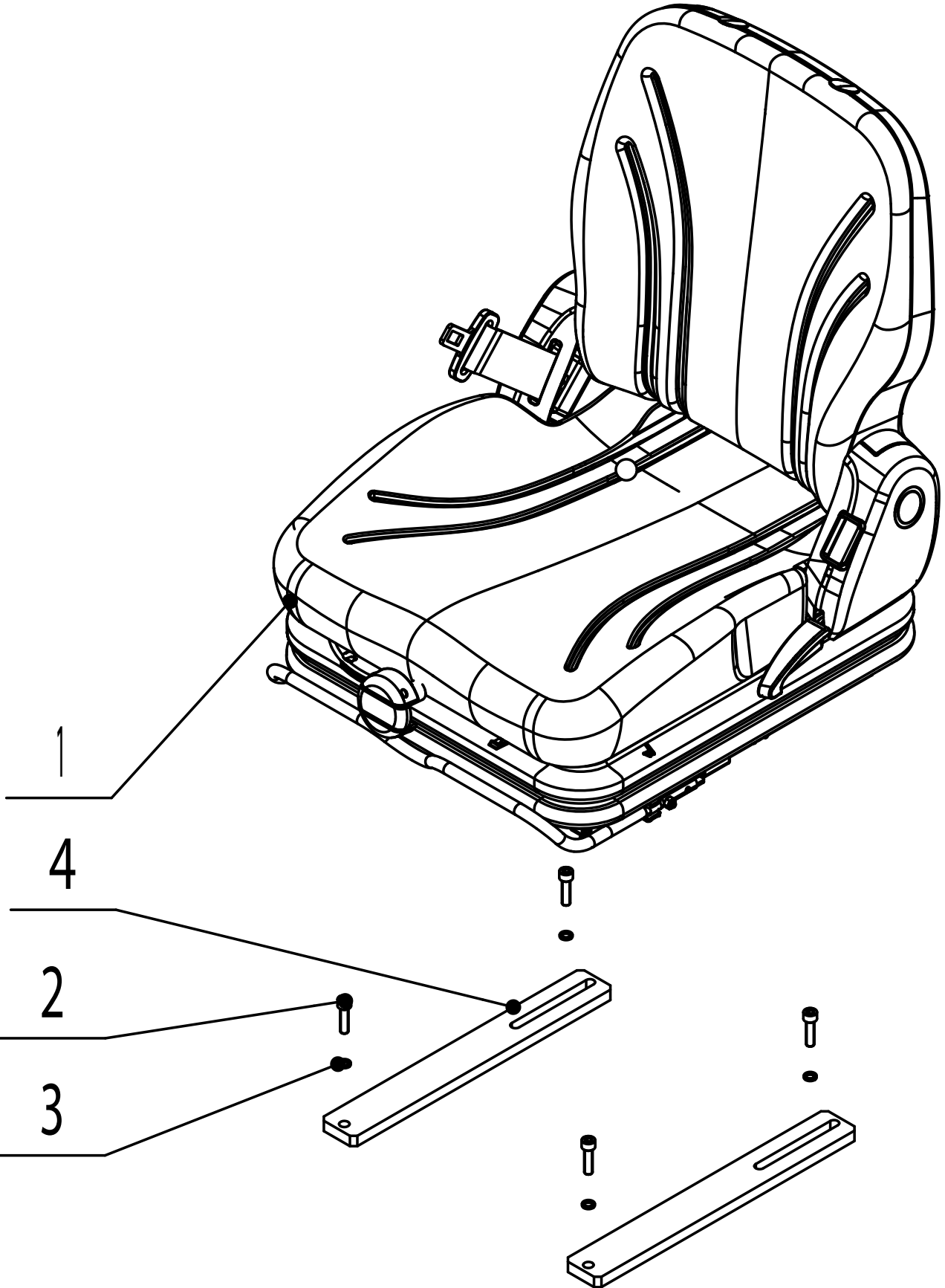
DOOR ASSEMBLY**83.2**

1	2	3	4	Name
1	20832001	1		UPPER JOINT
2	20832002	1		LOWER JOINT
3	20832003	1		WELDED HANDLE
4	20832004	1		LOCK BRACKET
5	07151009	1		PIN
6	20832006	2		SEALING
7	20832007	2		SEALING
8	20832008	1		SEALING
9	20832009	4		ROLLER
10	20832010	1		SCREW SEALING
11	20832011	1		HANDLE
12	20832012	3.75		SEALING
13	01151021	2		SCREW M6x30
14	20832014	3		SCREW M6x22
15	20832015	1		SCREW M6x25
16	12066033	2		SCREW M6x30
17	00350006	4		SCREW M12x35
18	09101029	1		NUT M6
19	00031049	4		NUT M12
20	00020012	7		WASHER 6.4
21	00031054	8		WASHER 13
22	00020024	1		COTTER PIN 2x16
23	07020015	1		SAFETY RING 7
24	20832024	1		STRUT
25	20832025	1		WIPER
26	06210006	1		LOCK
27	20832027	1		WINDSHIELD
28	20832028	4		CAP
29	20832029	1		SLEEVE
30	20832030	1		WIPER ELECTRIC MOTOR
31	00031055	3		WASHER 6
32	20832032	1		WIPER ARM



STANDARD WINDOWS ASSEMBLY**83.3**

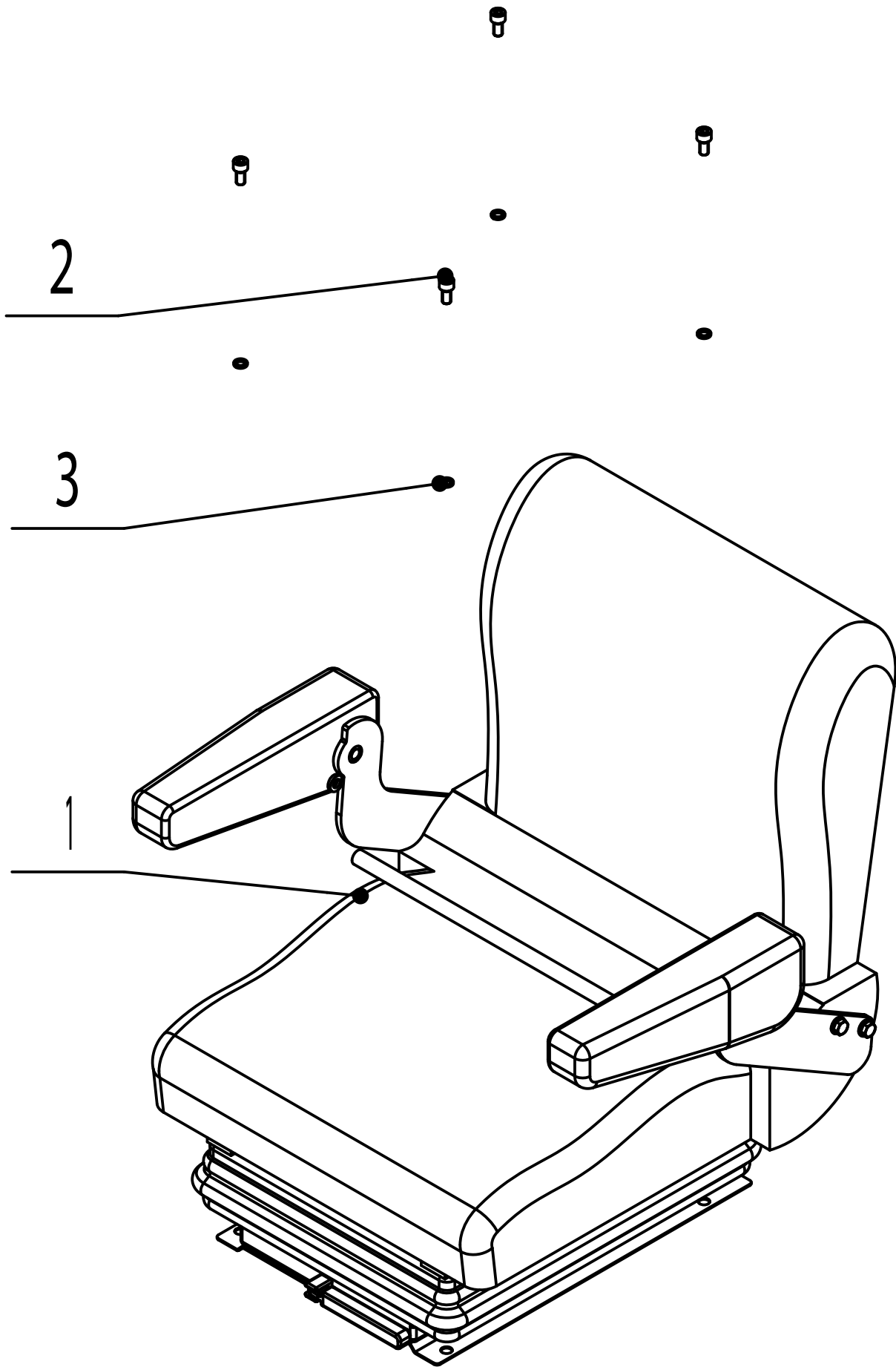
1	2	3	4	Name
1	20833001	1		MOONROOF
2	20833002	1		LEFT WINDOW
3	20833003	1		REAR DOOR
4	20833004	1		RIGHT WINDOW
5	14152034	2.2		WINDOW SEAL
6	14152038	2.2		RUBBER SEAL
7	00120042	1		RING



PNEUMATIC SEAT

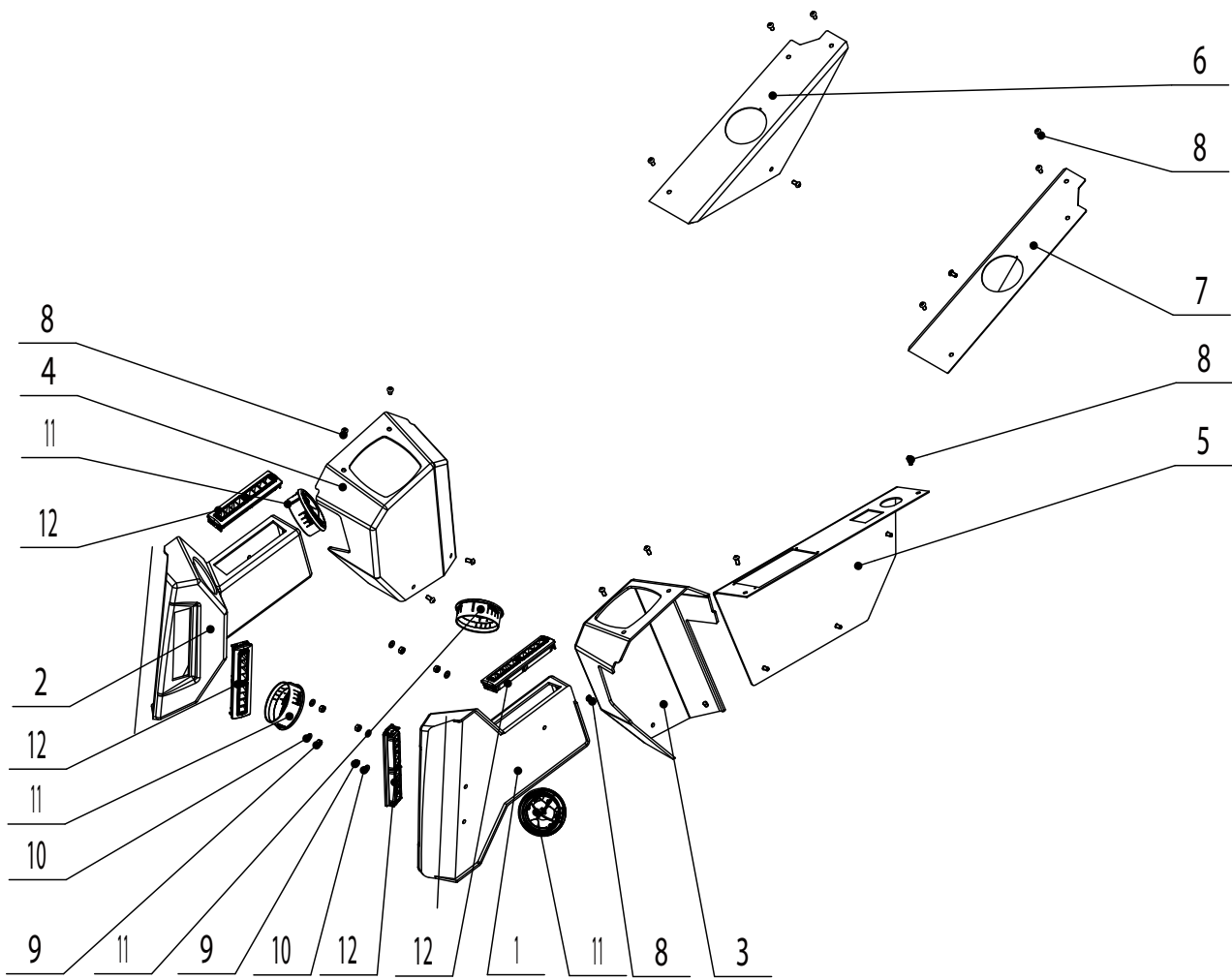
83.4

1	2	3	4	Name
1	20834001	1		SEAT
2	09068033	4		SCREW M8x30
3	00020019	4		WASHER 8.2
4	20834004	2		PLATE



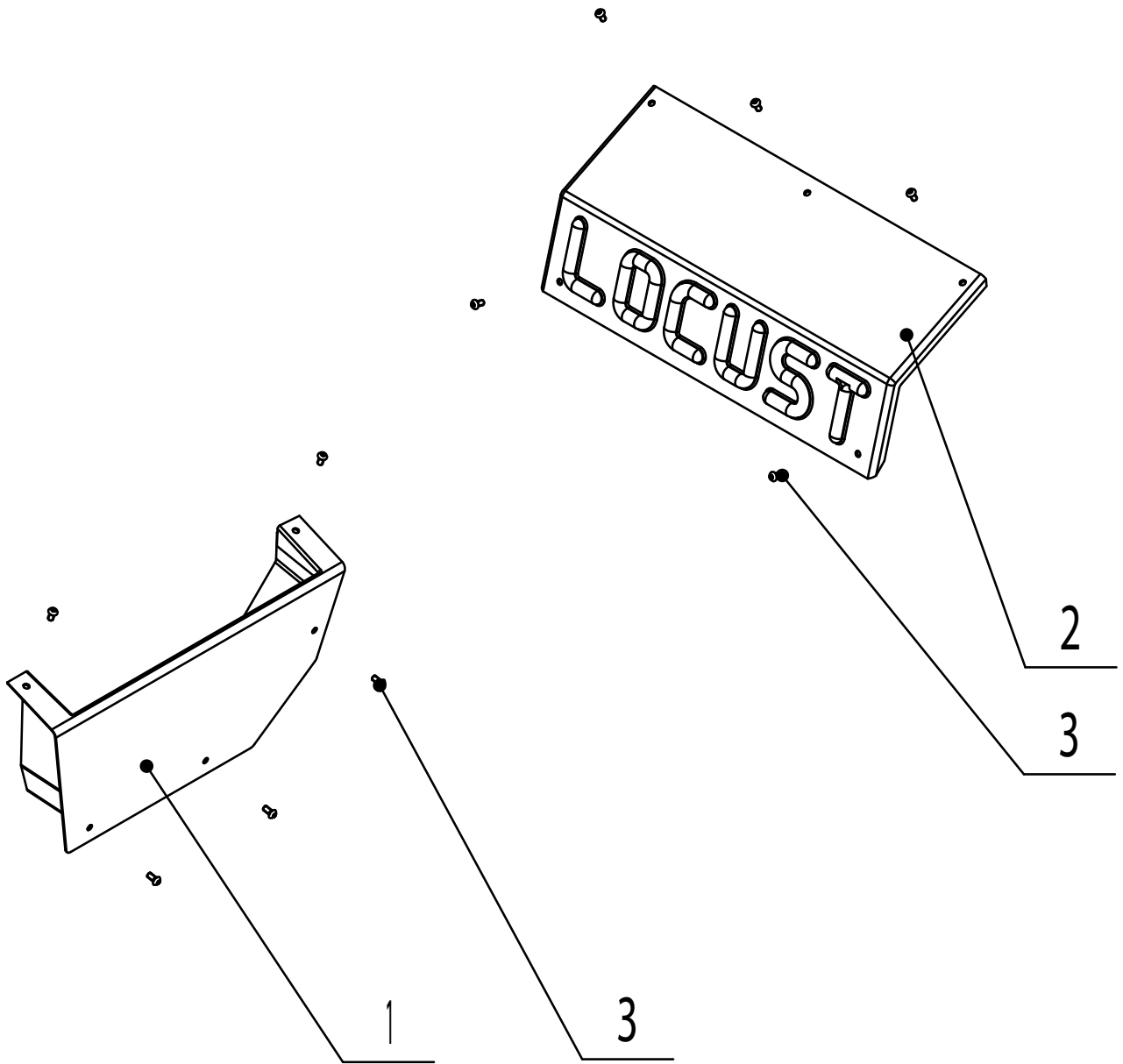
STANDARD SEAT ASSEMBLY**83.5**

1	2	3	4	Name
1	08153072	1		SEAT
2	06334012	4		SCREW M8x16
3	00020019	4		WASHER 8.2



STANDARD PLASTIC**83.6**

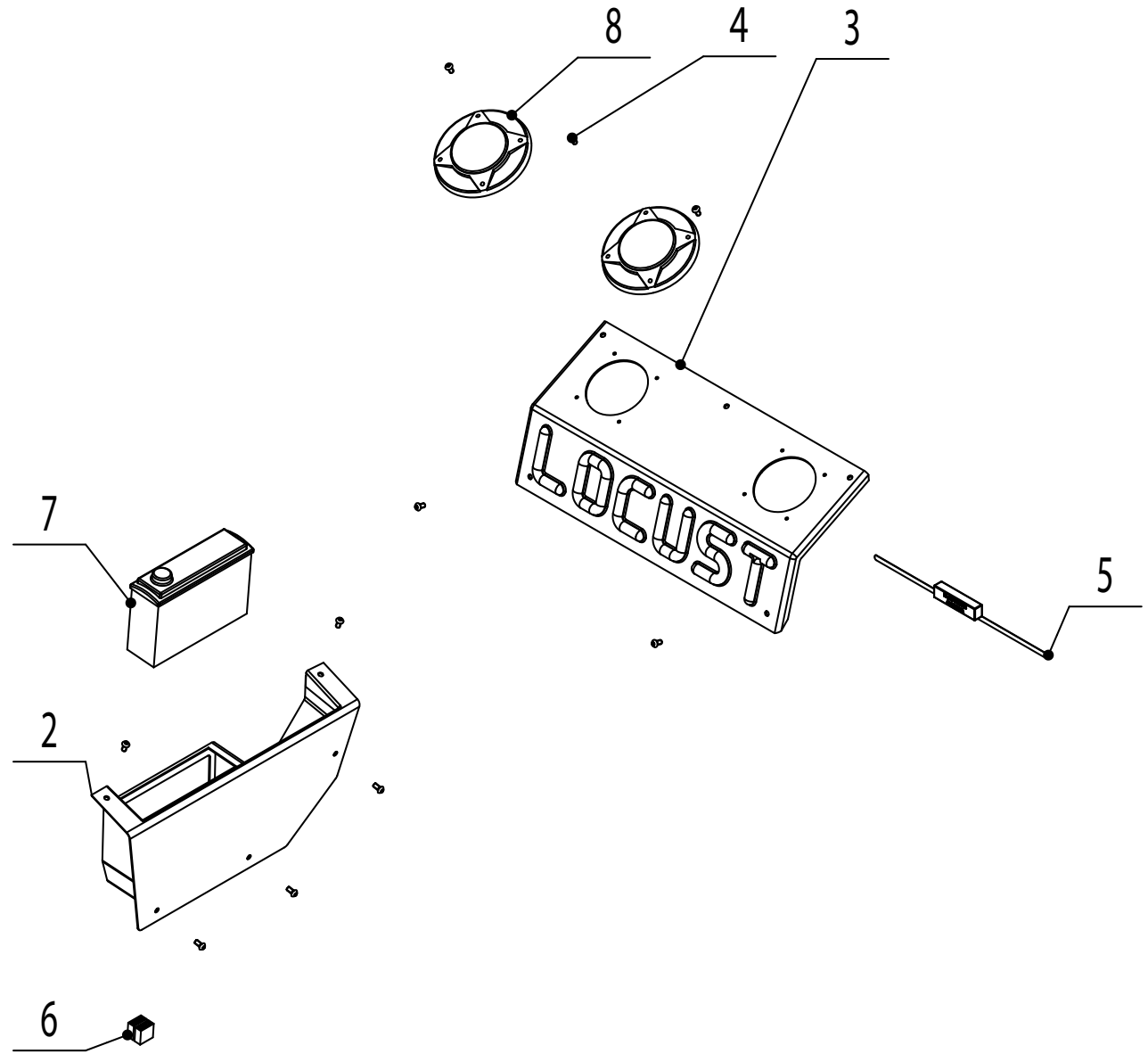
1	2	3	4	Name
1	20836001	1		FRONT LEFT PLASTIC
2	20836002	1		FRONT RIGHT PLASTIC
3	20836003	1		LEFT CONTROLER PLASTIC
4	20836004	1		RIGHT CONTROLER PLASTIC
5	20836005	1		LEFT PLASTIC
6	20836006	1		RIGHT DIFFUSER PLASTIC
7	20836007	1		LEFT DIFFUSER PLASTIC
8	14035031	21		SCREW M6x12
9	01083033	6		NUT M6
10	00020012	6		WASHER 6.4
11	14157059	4		DIFFUSER
12	20836012	4		DIFFUSER



PLASTIC WITHOUT AUDIO

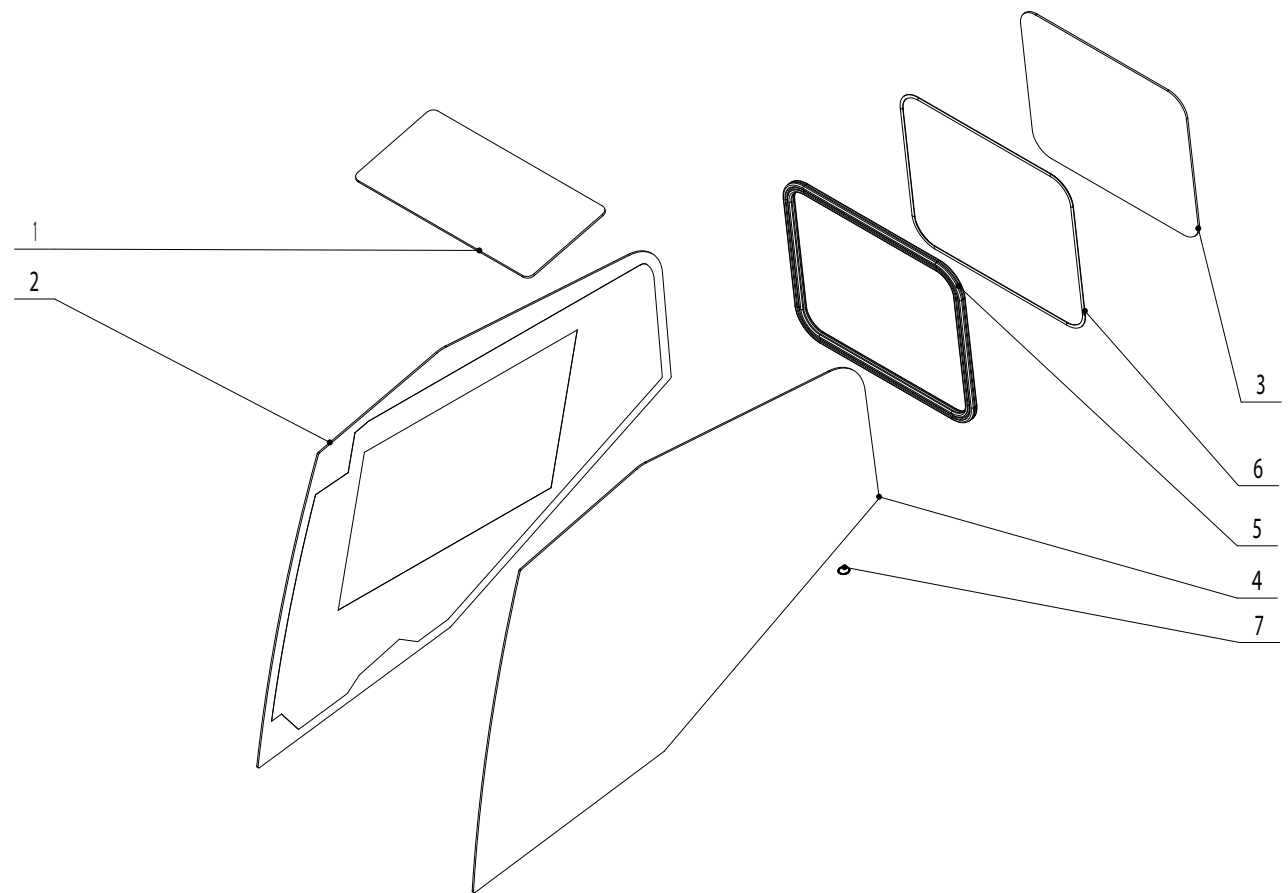
83.7

1	2	3	4	Name
1	20837001	1		RIGHT PLASTIC
2	20837002	1		REAR PLASTIC
3	14035031	10		SCREW M6x12



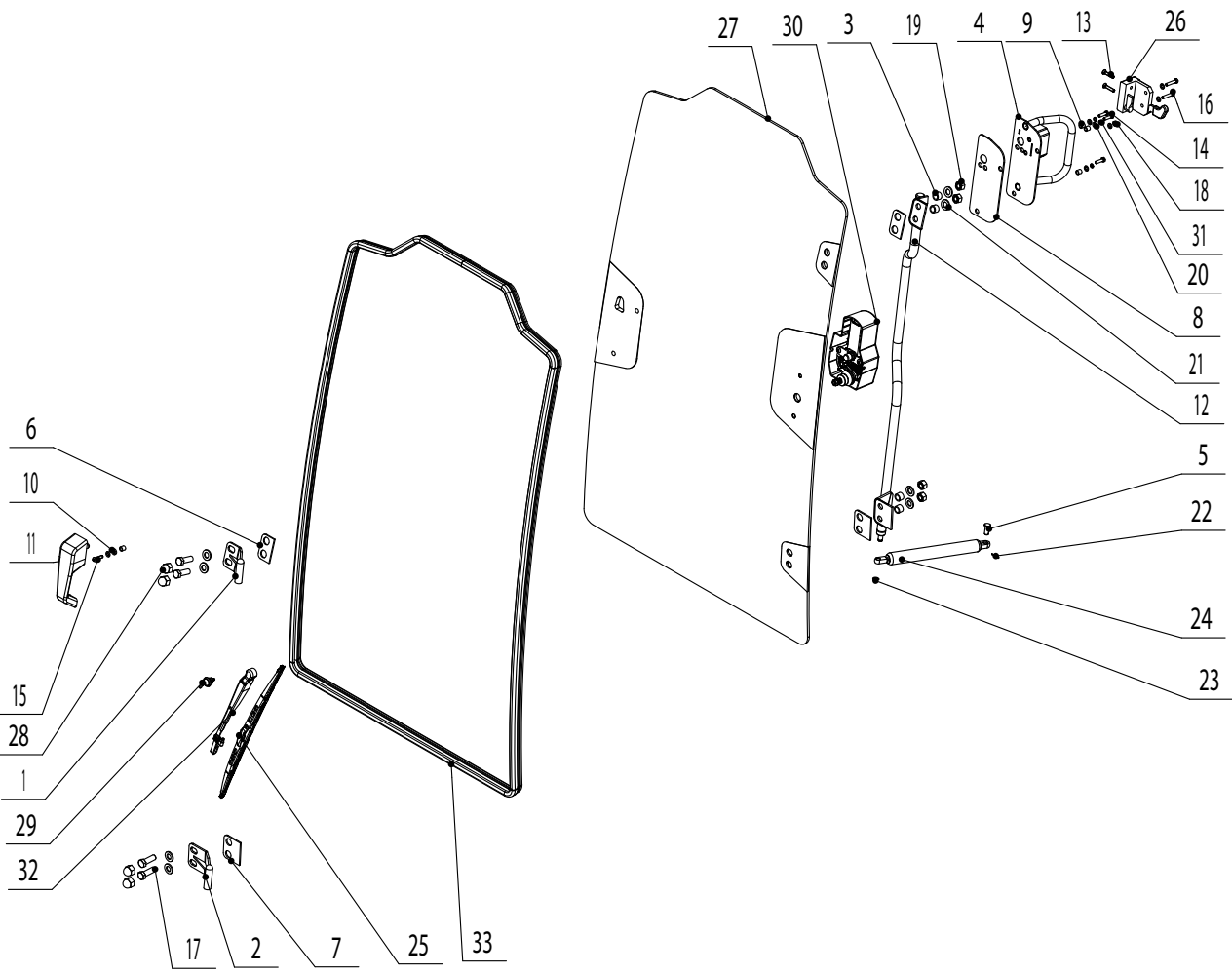
AUDIO SYSTEM**83.8**

1	2	3	4	Name
1	20838001	1		BUNDLE
2	20838002	1		PLASTIC
3	20838003	1		PLASTIC
4	14035031	10		SCREW
5	20838005	1		ANTENN M6x12
6	20838006	1		CONNECTOR
7	20838007	1		CAR RADIO
8	20838008	1		SPEAKER

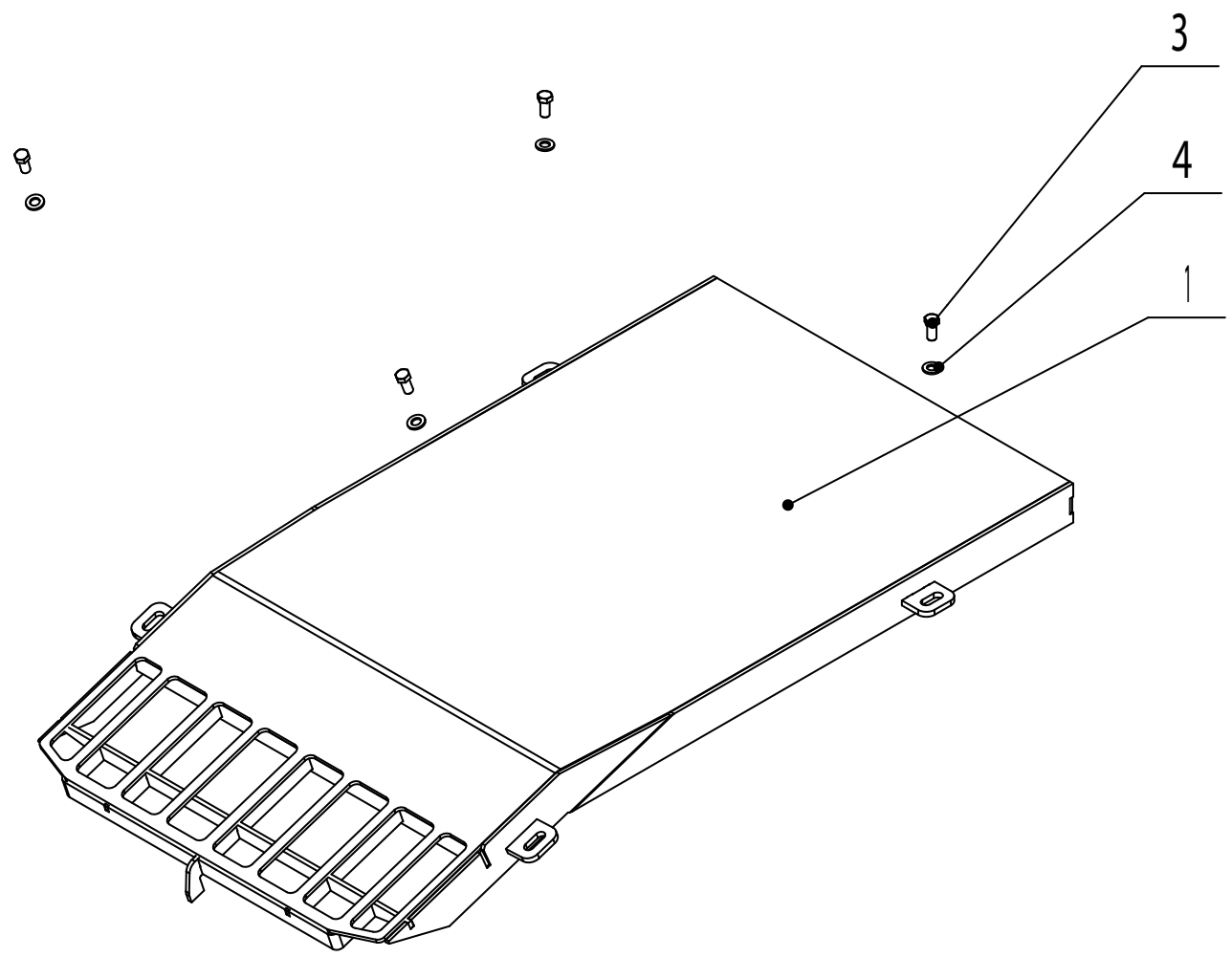


GREEN WINDOWS ASSEMBLY**83.9**

1	2	3	4	Name
1	20833001	1		MOONROOF
2	20839002	1		LEFT WINDOW
3	20839003	1		REAR DOOR
4	20839004	1		RIGHT WINDOW
5	14152034	2.2		WINDOW SEAL
6	14152038	2.2		RUBBER SEAL
7	00120042	1		RING



1	2	3	4	Name
1	20832001	1		UPPER JOINT
2	20832002	1		LOWER JOINT
3	20832033	4		ROLLER
4	20832004	1		LOCK BRACKET
5	07151009	1		PIN
6	20832006	2		SEALING
7	20832007	2		SEALING
8	20832008	1		SEALING
9	20832009	4		ROLLER
10	20832010	1		SCREW SEALING
11	20832011	1		HANDLE
12	20832003	1		WELDED HANDLE HANDLE
13	01151021	2		SCREW M6x30
14	20832014	3		SCREW M6x22
15	20832015	1		SCREW M6x25
16	12066033	2		SCREW M6x30
17	00350006	4		SCREW M12x35
18	09101029	1		NUT M6
19	00031049	4		NUT M12
20	00020012	7		WASHER 6.4
21	00031054	8		WASHER 13
22	00020024	1		COTTER PIN 2x16
23	07020015	1		SAFETY RING 7
24	20832024	1		STRUT
25	20832025	1		WIPER
26	06210006	1		LOCK
27	20841027	1		WINDSHIELD
28	20832028	4		CAP M12
29	20832029	1		SLEEVE
30	20832030	1		WIPER ELECTRIC MOTOR
31	00031055	3		WASHER 6
32	20832032	1		WIPER ARM
33	20832012	3.75		SEALING



1	2	3	4	Name
1	20842001	1		FOPS FRAME
3	01020024	4		SCREW M12x25
4	00031054	4		WASHER 13

Алматы (7273)495-231
 Ангарск (3955)60-70-56
 Архангельск (8182)63-90-72
 Астрахань (8512)99-46-04
 Барнаул (3852)73-04-60
 Белгород (4722)40-23-64
 Благовещенск (4162)22-76-07
 Брянск (4832)59-03-52
 Владивосток (423)249-28-31
 Владикавказ (8672)28-90-48
 Владимир (4922) 49-43-18
 Волгоград (844)278-03-48
 Вологда (8172)26-41-59
 Воронеж (473)204-51-73
 Екатеринбург (343)384-55-89

Ижевск (3412)26-03-58
 Иваново (4932)77-34-06
 Иркутск (395)279-98-46
 Казань (843)206-01-48
 Калининград (4012)72-03-81
 Калуга (4842)92-23-67
 Кемерово (3842)65-04-62
 Киров (8332)68-02-04
 Коломна (4966)23-41-49
 Кострома (4942)77-07-48
 Краснодар (861)203-40-90
 Красноярск (391)204-63-61
 Курск (4712)77-13-04
 Курган (3522)50-90-47
 Липецк (4742)52-20-81

Киргизия (996)312-96-26-47

Магнитогорск (3519)55-03-13
 Москва (495)268-04-70
 Мурманск (8152)59-64-93
 Набережные Челны (8552)20-53-41
 Нижний Новгород (831)429-08-12
 Новокузнецк (3843)20-46-81
 Ноябрьск (3496)41-32-12
 Новосибирск (383)227-86-73
 Ноябрьск (3496)41-32-12
 Омск (3812)21-46-40
 Орел (4862)44-53-42
 Оренбург (3532)37-68-04
 Пенза (8412)22-31-16
 Петрозаводск (8142)55-98-37
 Псков (8112)59-10-37

Россия (495)268-04-70

Пермь (342)205-81-47
 Ростов-на-Дону (863)308-18-15
 Рязань (4912)46-61-64
 Самара (846)206-03-16
 Саранск (8342)22-96-24
 Санкт-Петербург (812)309-46-40
 Саратов (845)249-38-78
 Севастополь (8692)22-31-93
 Симферополь (3652)67-13-56
 Смоленск (4812)29-41-54
 Сочи (862)225-72-31
 Ставрополь (8652)20-65-13
 Сыктывкар (8212)25-95-17
 Сургут (3462)77-98-35
 Тамбов (4752)50-40-97

Казахстан (772)734-952-31

Тверь (4822)63-31-35
 Тольяти (8482)63-91-07
 Томск (3822)98-41-53
 Тула (4872)33-79-87
 Тюмень (3452)66-21-18
 Улан-Удэ (3012)59-97-51
 Ульяновск (8422)24-23-59
 Уфа (347)229-48-12
 Хабаровск (4212)92-98-04
 Чебоксары (8352)28-53-07
 Челябинск (351)202-03-61
 Череповец (8202)49-02-64
 Чита (3022)38-34-83
 Якутск (4112)23-90-97
 Ярославль (4852)69-52-93